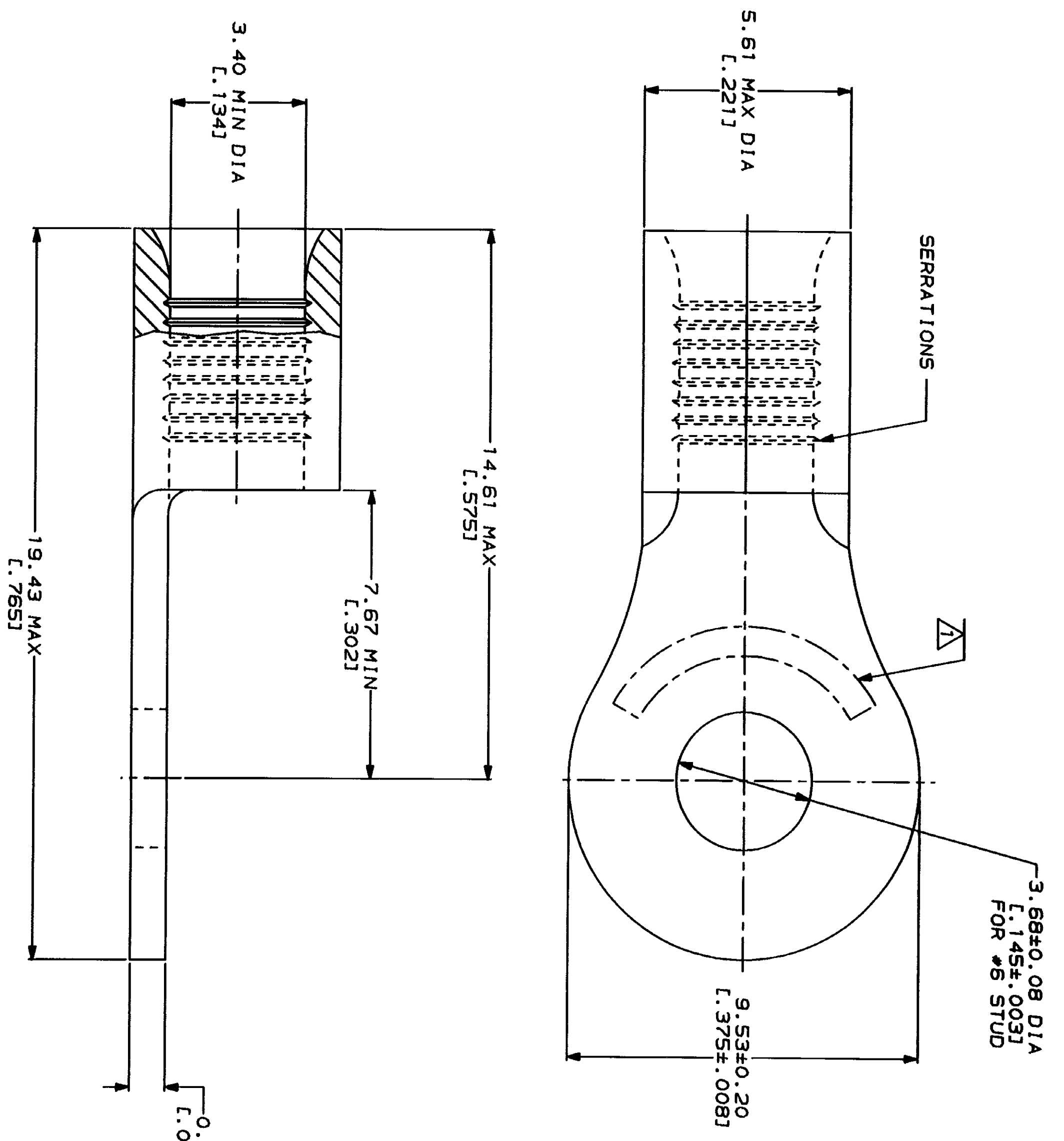


LOC	DIST	ZONE	LTR	DESCRIPTION	DATE	APPD
G	14			REVISED PER 0720-0230-93	2/25/94	DUP

**METRIOR**  
 DIMENSIONS LISTED IN MM [ INCHES ]

<b>AMP</b> WIRE RANGE	<b>UL</b> E13288 Listed
12-10 AWG STRANDED	12-10 AWG STRANDED
<b>LR7189</b> Certified	MILITARY P/N AND CLASS
NOT CERTIFIED	NOT APPLICABLE

△ STAMP AMP 12-10\* APPROX AS SHOWN



AMP INCORPORATED  
 CUSTOMER SERVICE SYSTEMS

FOR ADDITIONAL  
 PRODUCT INFORMATION OR  
 COPIES OF DRAWINGS  
 AND TECHNICAL DOCUMENTS

FOR APPLICATION  
 TOOLING INFORMATION  
 FOR ORDER ENTRY

MAX RECOMMENDED OPERATING  
 TEMPERATURE: 170°C MAX

VOLTAGE RATING:  
 NOT APPLICABLE

WIRE CROSS SECTIONAL AREA RANGE:  
 2.62-6.64mm<sup>2</sup> [5,180-13,100] CIR MILS  
 STRANDED

PRODUCT INFORMATION CENTER  
 1-800-522-6752

TOOLING ASSISTANCE CENTER  
 1-800-722-1111

1-800-526-5142

DO NOT SCALE PRINT.  
 UNLESS SPECIFIED  
 DIMENSIONS IN—LENGTH—  
 TOLERANCES ON:  
 2 PLG DEC ± .  
 3 PLG DEC ± .

FINISH: TIN PLATE  
 0.00254 [L. 000100] MIN  
 THK PER MIL-T-10727

DR 2-9-93 TA BRINKMAN  
 CHK 2-9-93 DA PATTERSON  
 APPD 2-9-93 DE MILLER  
 APPD 2-9-93 JL NECKLEY  
 PRODUCT SPEC

**AMP** AMP Incorporated  
 Harrisburg, PA 17125-3608

TERMINAL, RING TONGUE,  
 BUDGET

NAME

SIZE CAGE CODE DRAWING NO  
 00779 31112

SCALE 10:1 SHEET 1 OF 1

PART NO  
 31112

单击下面可查看定价，库存，交付和生命周期等信息

[>>TE Connectivity\(泰科\)](#)