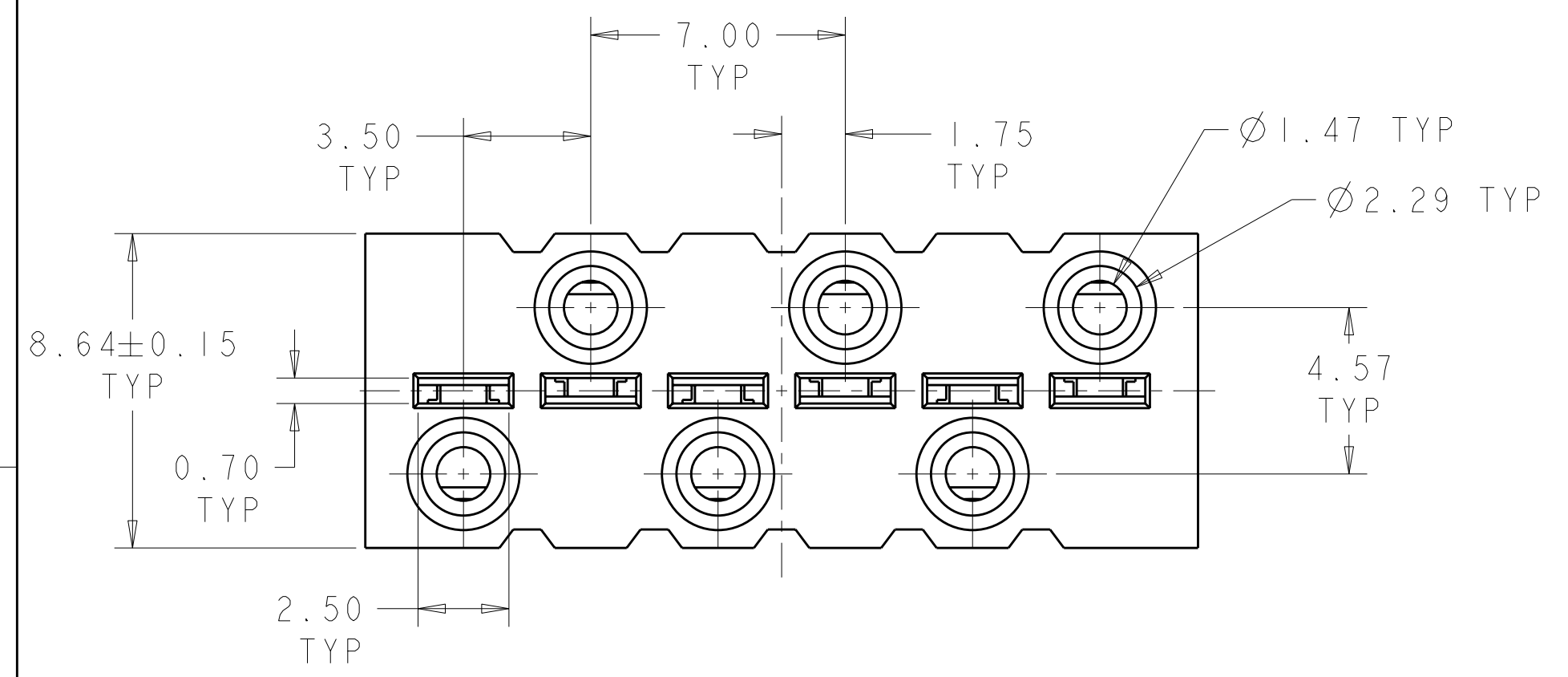
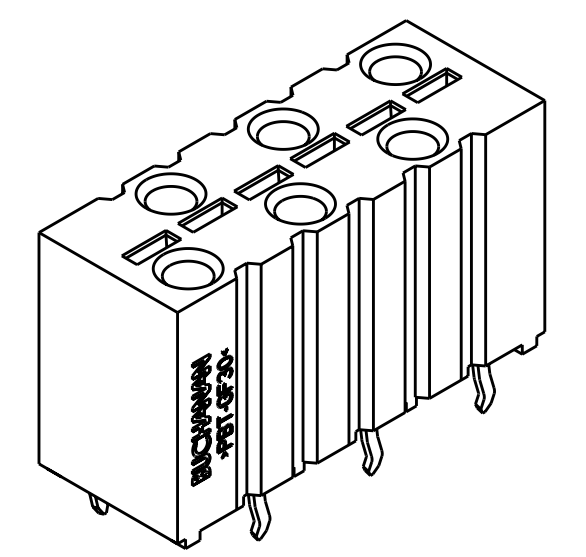


THIS DRAWING IS UNPUBLISHED. RELEASED FOR PUBLICATION 20
 © COPYRIGHT 20 BY TYCO ELECTRONICS CORPORATION. ALL RIGHTS RESERVED.

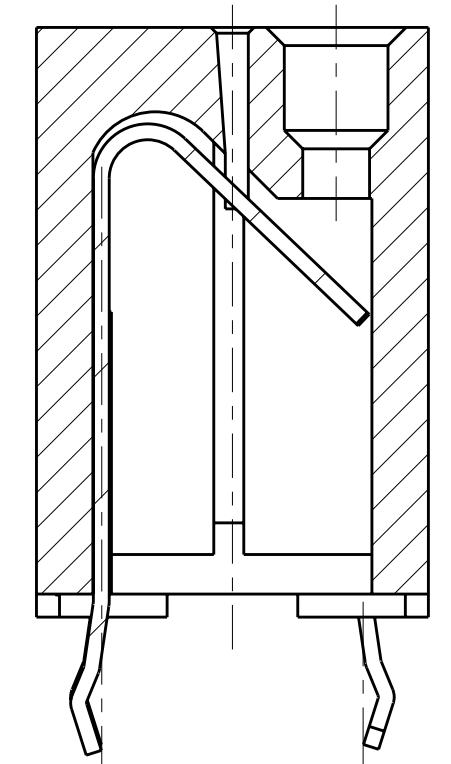
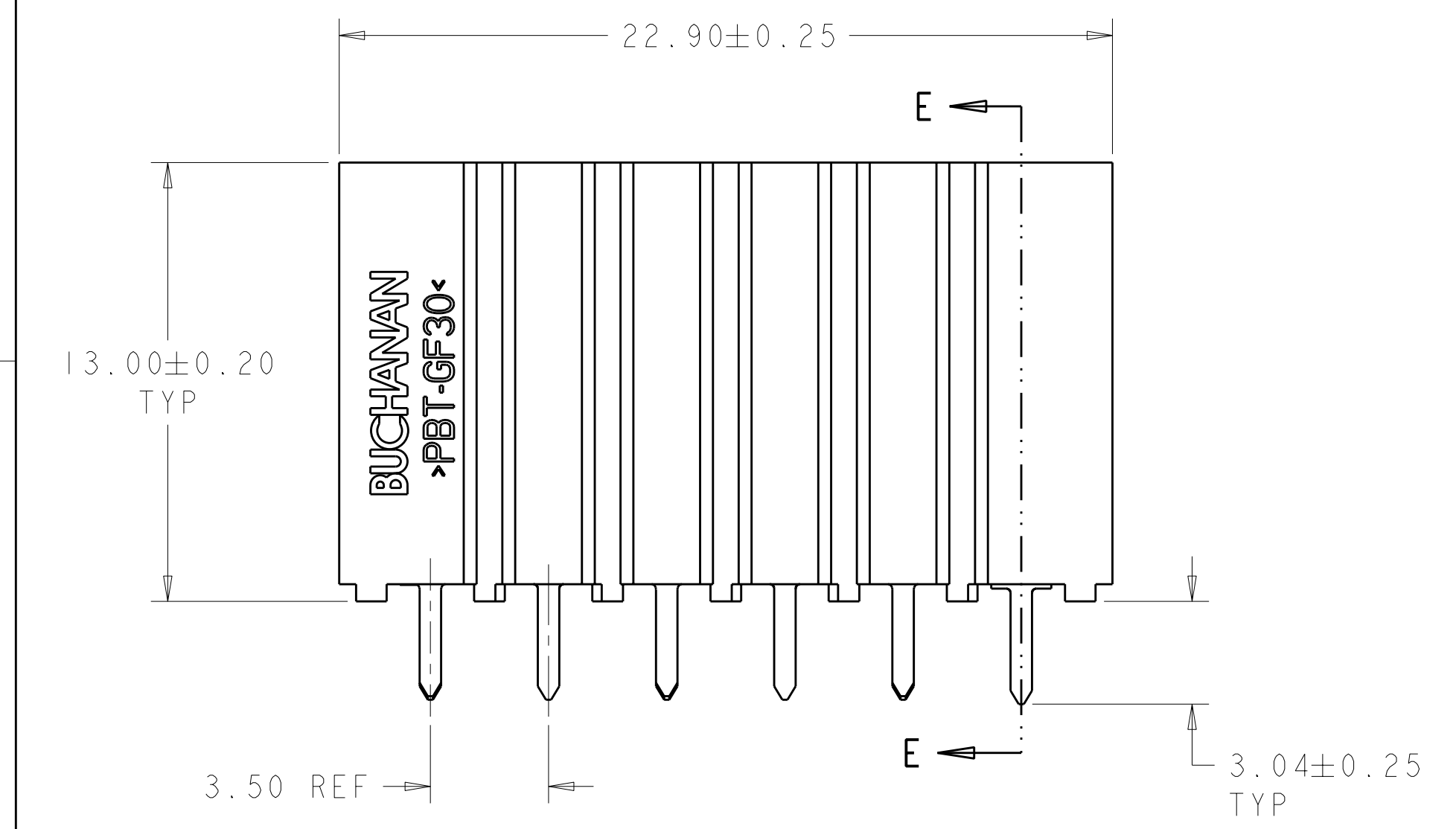
| LOC | | DIST | | REVISIONS | | | |
|-----|-----|---------------------------|-----------|-----------|------|--|--|
| P | LTR | DESCRIPTION | DATE | DWN | APVD | | |
| FT | 0 | | | | | | |
| | A2 | REVISED PER ECR-10-013378 | 01JUL2010 | HMR | DD | | |



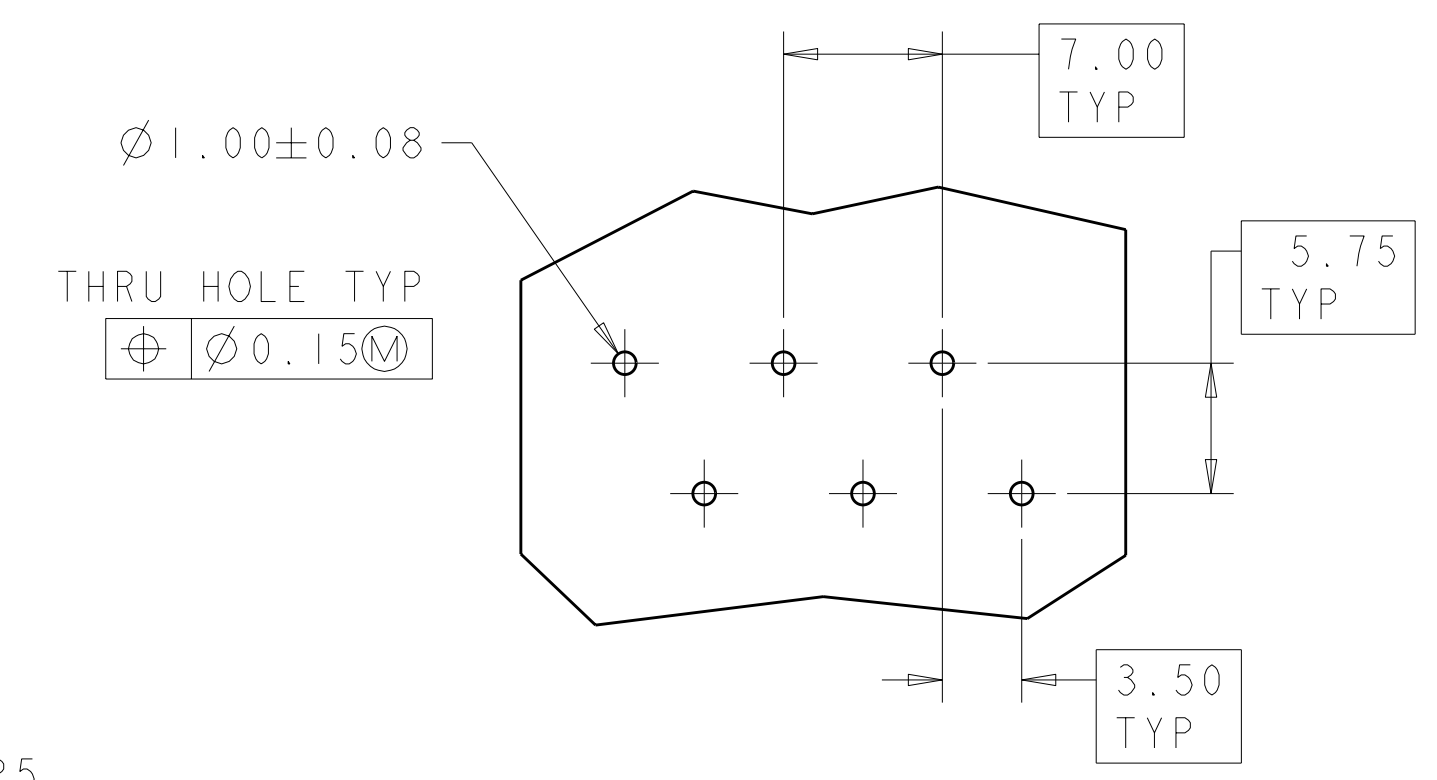
- 1 MATERIAL: HOUSING: PTB, UL94-V0, COLOR BLACK. CONTACTS: PHOSPHOR BRONZE.
- 2 PLATING: CONTACTS: PRE TIN, 2.5µm MIN OVER 0.76µm MIN NICKEL (CONTACT EDGES WILL BE UNPLATED)
- 3 WIRE SIZE: 18AWG SOLID CONDUCTOR Ø2.16mm MAXIMUM INSULATION. STRIP LENGTH = 9.53±1.00.
- 4 WHEN WIRE INSULATION STRIP LENGTH IS 9.53mm, CONDUCTOR TIP WILL BE 1.08mm NOMINAL FROM BOARD SURFACE WHEN INSULATION BOTTOMS IN HOUSING CAVITY.



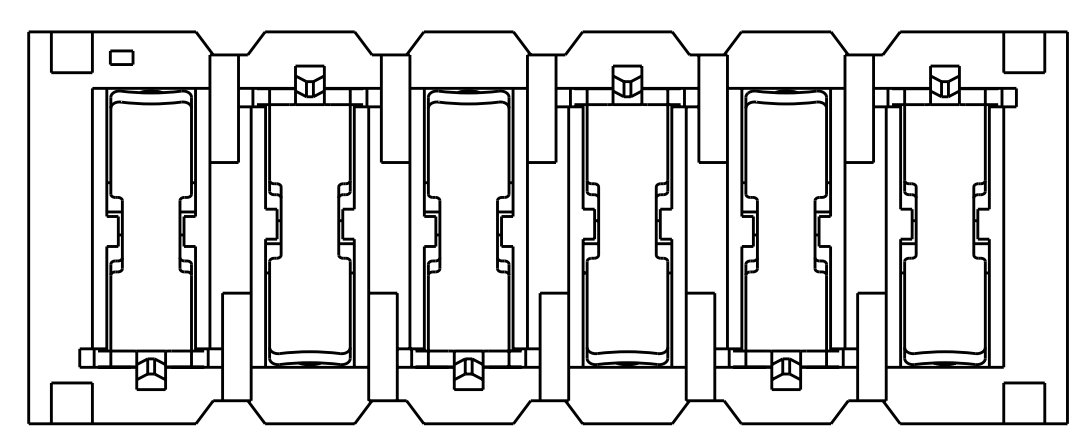
SCALE 3:1



SECTION E-E



PCB HOLE LAYOUT VIEWED FROM CONNECTOR MOUNTING SIDE SCALE 3:1



| | | |
|---------------|------------|-----------|
| TAPE AND REEL | 6 | 1811398-3 |
| TUBE | 6 | 1811398-2 |
| TRAY | 6 | 1811398-1 |
| PACKAGING | NO OF POSN | PART NO |

| | | | | |
|--|------------|----------------------------|--|---------|
| THIS DRAWING IS A CONTROLLED DOCUMENT FOR TYCO ELECTRONICS CORPORATION IT IS SUBJECT TO CHANGE AND THE CONTROLLING ENGINEERING ORGANIZATION SHOULD BE CONTACTED FOR THE LATEST REVISION. | | DWN W.G.LENKER 01OCT04 | Tyco Electronics Harrisburg, PA 17105-3608 | |
| DIMENSIONS: mm | | CHK JOHN LANDIS 01OCT04 | NAME ASSEMBLY, WIRE CONNECTOR, SCREWLESS, VERTICAL | |
| TOLERANCES UNLESS OTHERWISE SPECIFIED: | | APVD C.RICHARD 13SEP2005 | SIZE CAGE CODE DRAWING NO RESTRICTED TO | |
| 0 PLC ± | 1 PLC ±0.5 | PRODUCT SPEC 108-2059 | A2 00779 | 1811398 |
| 2 PLC ±0.13 | 3 PLC ± | APPLICATION SPEC 114-13075 | SCALE SHEET OF REV A2 | |
| 4 PLC ± | ANGLES ± | WEIGHT - | | |
| MATERIAL - | FINISH - | CUSTOMER DRAWING | | |

单击下面可查看定价，库存，交付和生命周期等信息

[>>TE Connectivity\(泰科\)](#)