

4

3

2

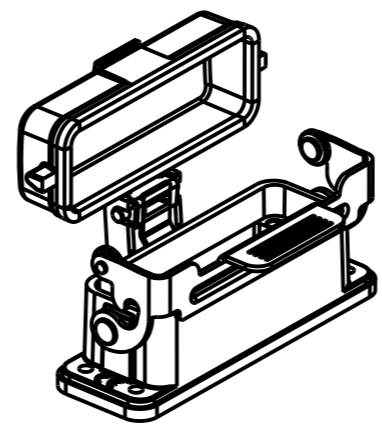
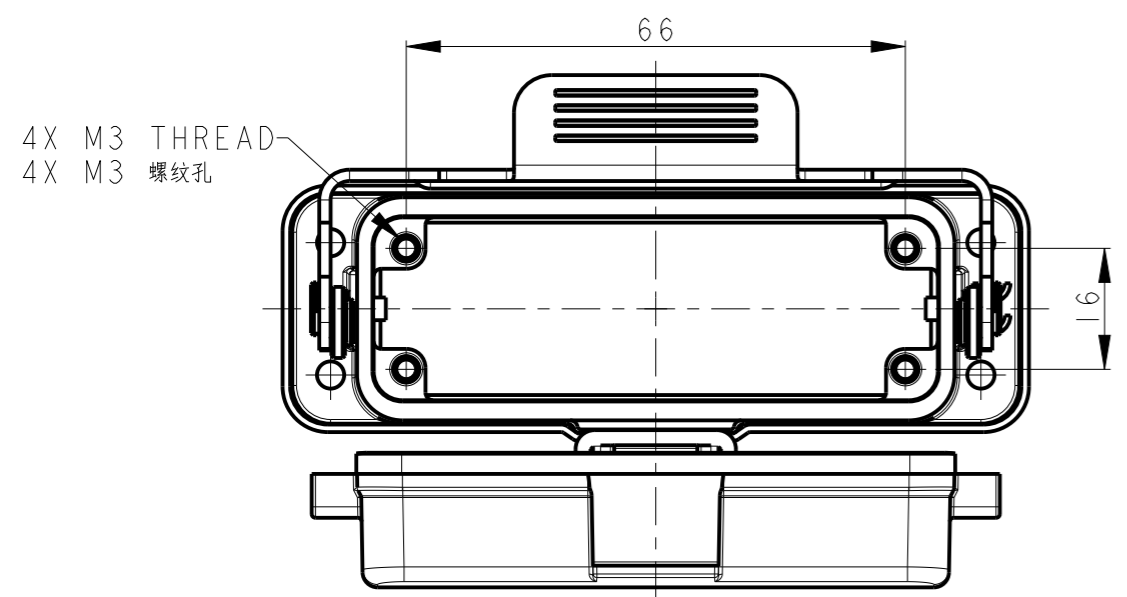
1

THIS DRAWING IS UNPUBLISHED. RELEASED FOR PUBLICATION 20

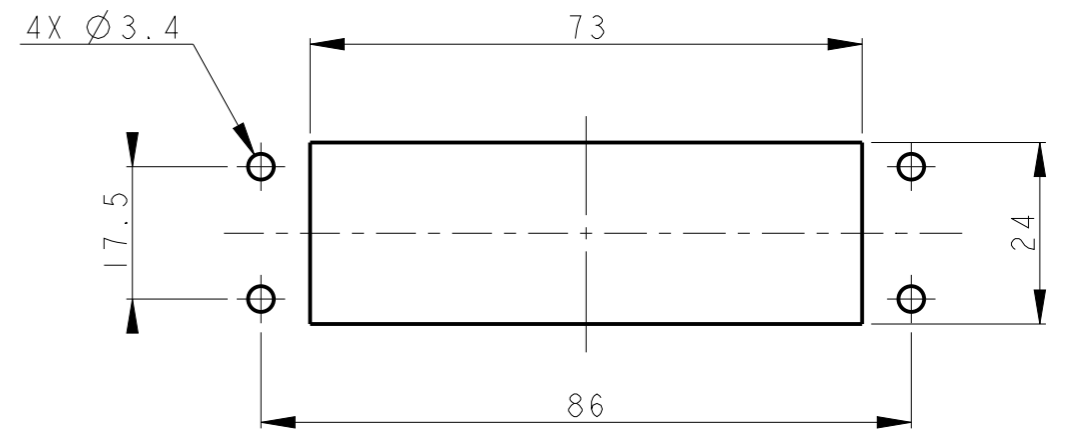
© COPYRIGHT 20 BY - ALL RIGHTS RESERVED.

REVISIONS

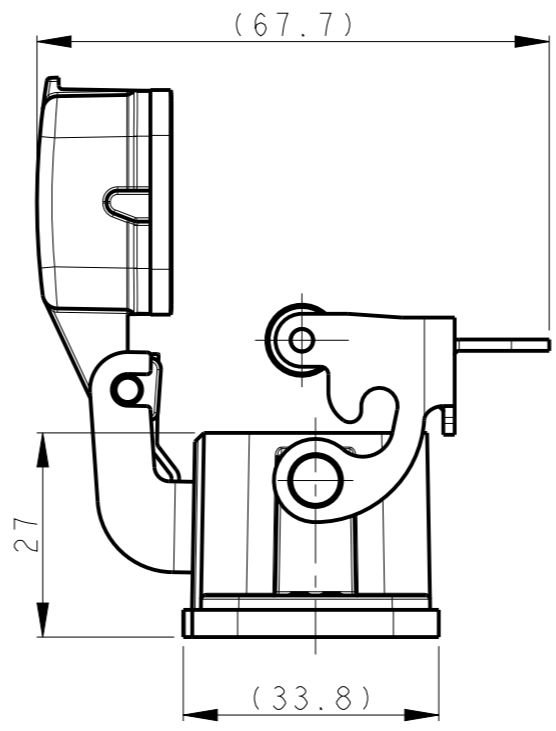
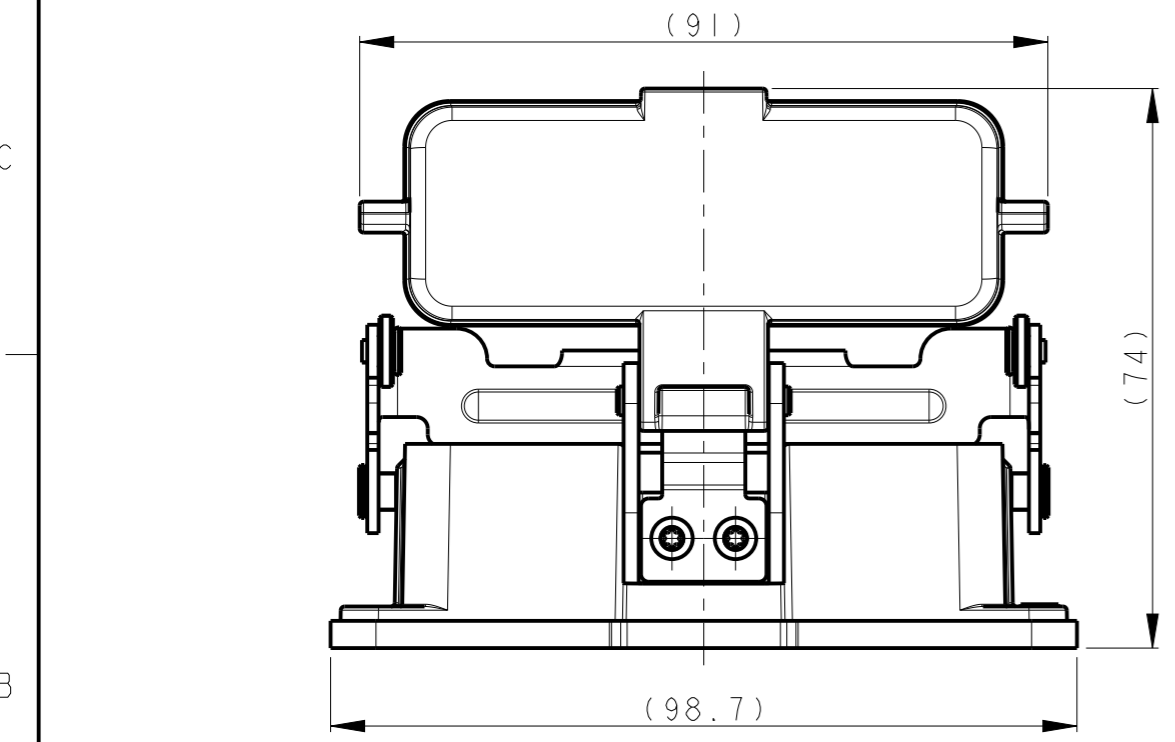
P	LTR	DESCRIPTION	DATE	DWN	APVD
	A	INITIAL RELEASES	24APR2015	DL	CW
	A1	ECR-17-005386	07APR2017	CH	CW
	B	ECR-18-012608	13AUG2018	CH	CW
	C	ECR-20-009510	28DEC2020	BS	CW



SCALE 1:2

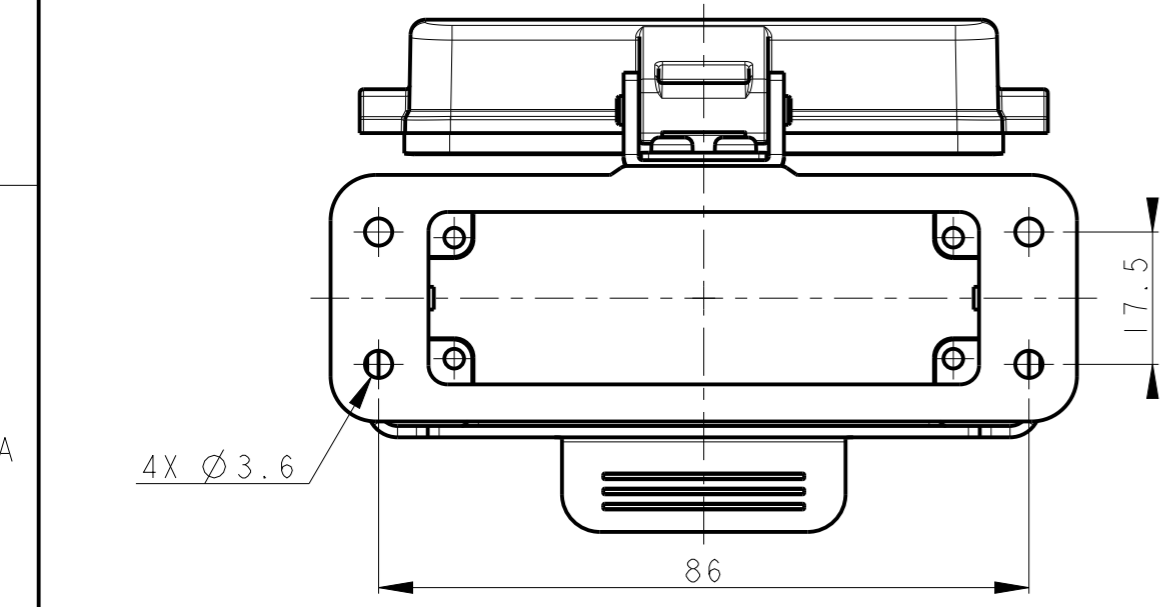


RECOMMENDED PANEL CUT OUT DIMENSIONS
推荐面板开孔尺寸



NOTES:
 1. TECHNICAL CHARACTERISTICS:
 BODY MATERIAL: DIE CAST ALUMINIUM ALLOY
 SURFACE TREATMENT: POWDER COATED, GREY
 DEGREE OF PROTECTION: IP65 (MATED)

注释:
 1. 技术参数:
 主体材料: 铝合金
 表面处理: 灰色粉末喷涂
 防护等级: IP65(配合)



T1519161000-000	H16A-ADMS	H16A HOUSING, BULKHEAD MOUNTED, STAINLESS STEEL SINGLE LOCKING, ALUMINIUM ALLOY PROTECTION COVER POWDER COATED, GREY H16A下壳, 开孔安装, 不锈钢单扣, 带铝合金保护盖, 灰色粉末喷涂
PART NUMBER 料号	PART DESCRIPTION 描述	

THIS DRAWING IS A CONTROLLED DOCUMENT.		DWN 24APR2015 DAVID LI					
DIMENSIONS: mm		CHK 24APR2015 CHRIS WANG					
TOLERANCES UNLESS OTHERWISE SPECIFIED:		APVD 24APR2015 XU XIANG					
0 PLC ±- 1 PLC ±- 2 PLC ±- 3 PLC ±- 4 PLC ±- ANGLES ±-		NAME H16A-ADMS					
MATERIAL	FINISH	PRODUCT SPEC 108-137010	SIZE A3	CAGE CODE -	DRAWING NO C-T1519161000000	RESTRICTED TO -	
-	-	APPLICATION SPEC 114-137010	SCALE 1:1		SHEET 1	OF 1	REV C
CUSTOMER DRAWING		WEIGHT -					

单击下面可查看定价，库存，交付和生命周期等信息

[>>TE Connectivity\(泰科\)](#)