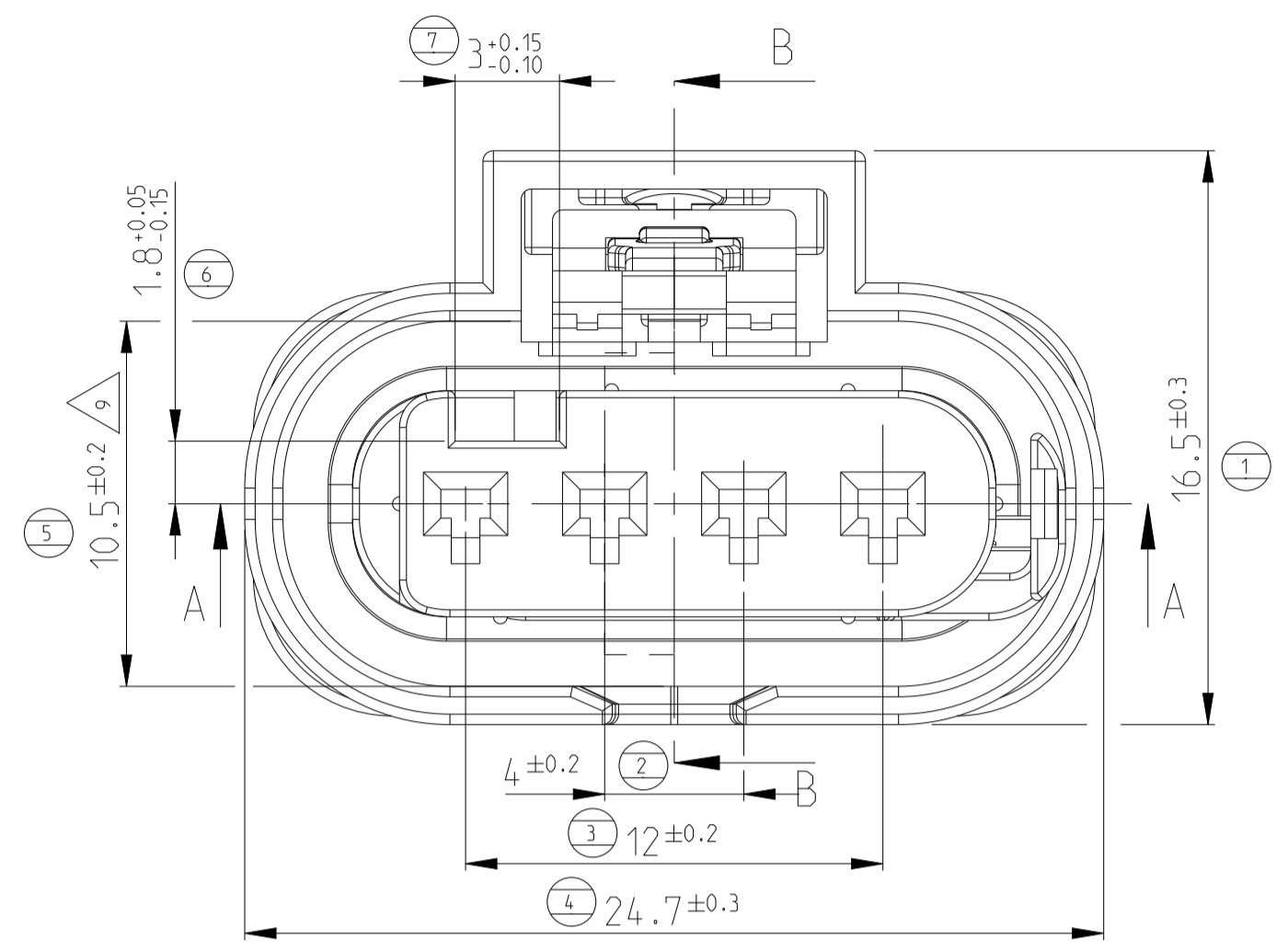
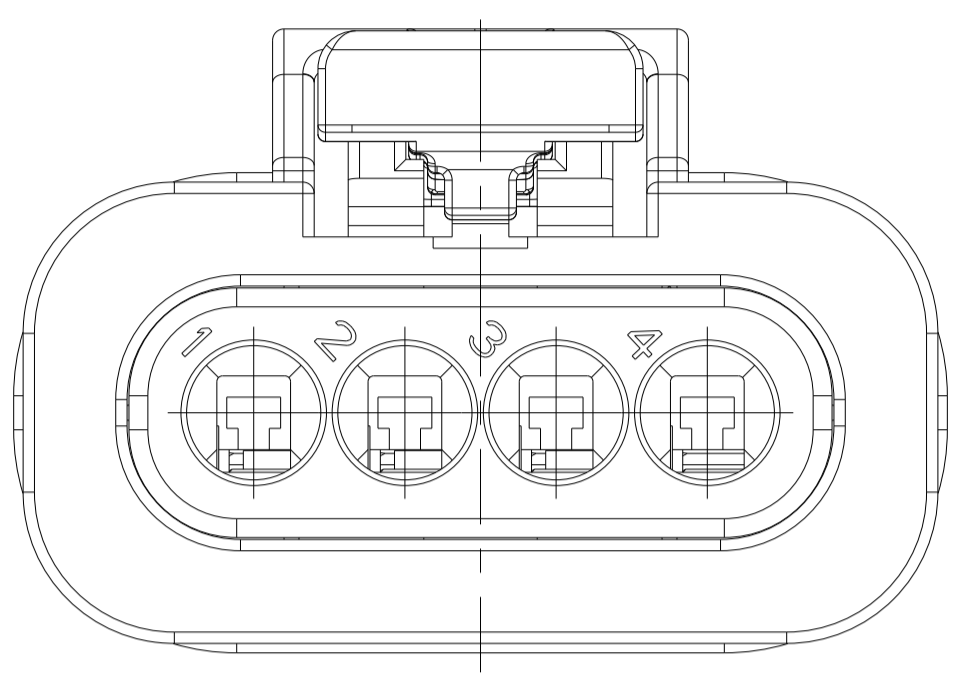
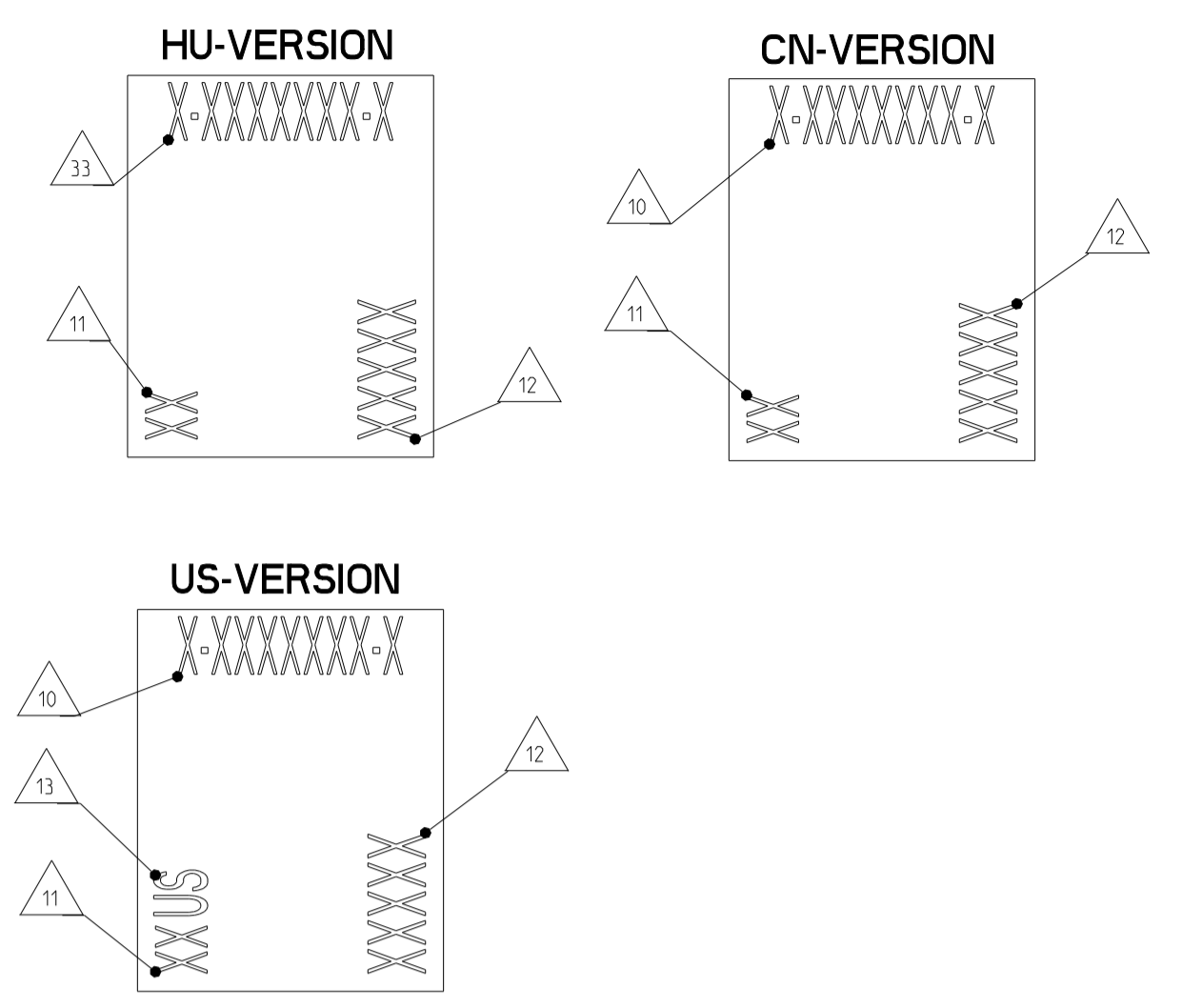
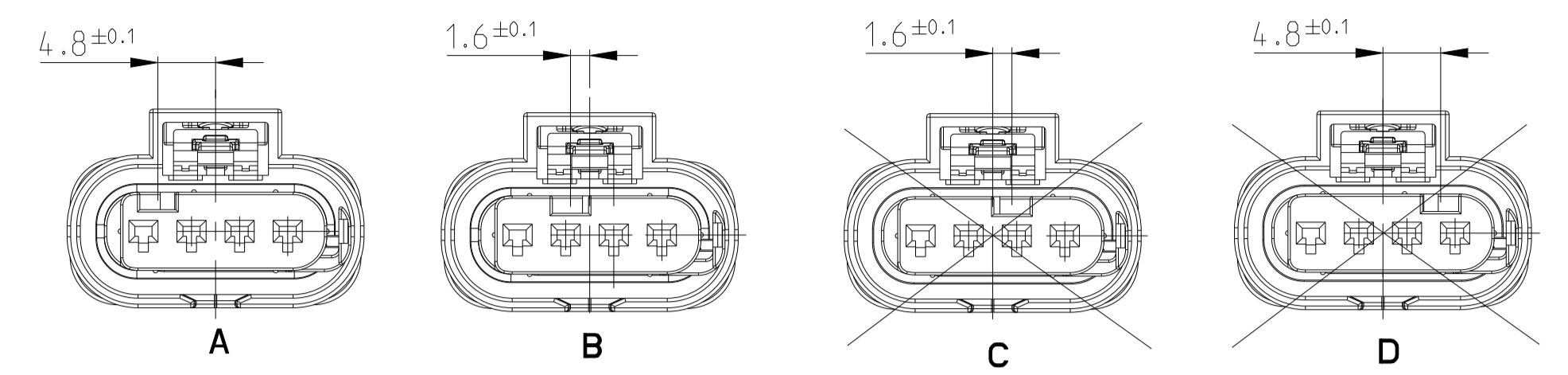


PRINT: $\frac{1}{5}$
5:1



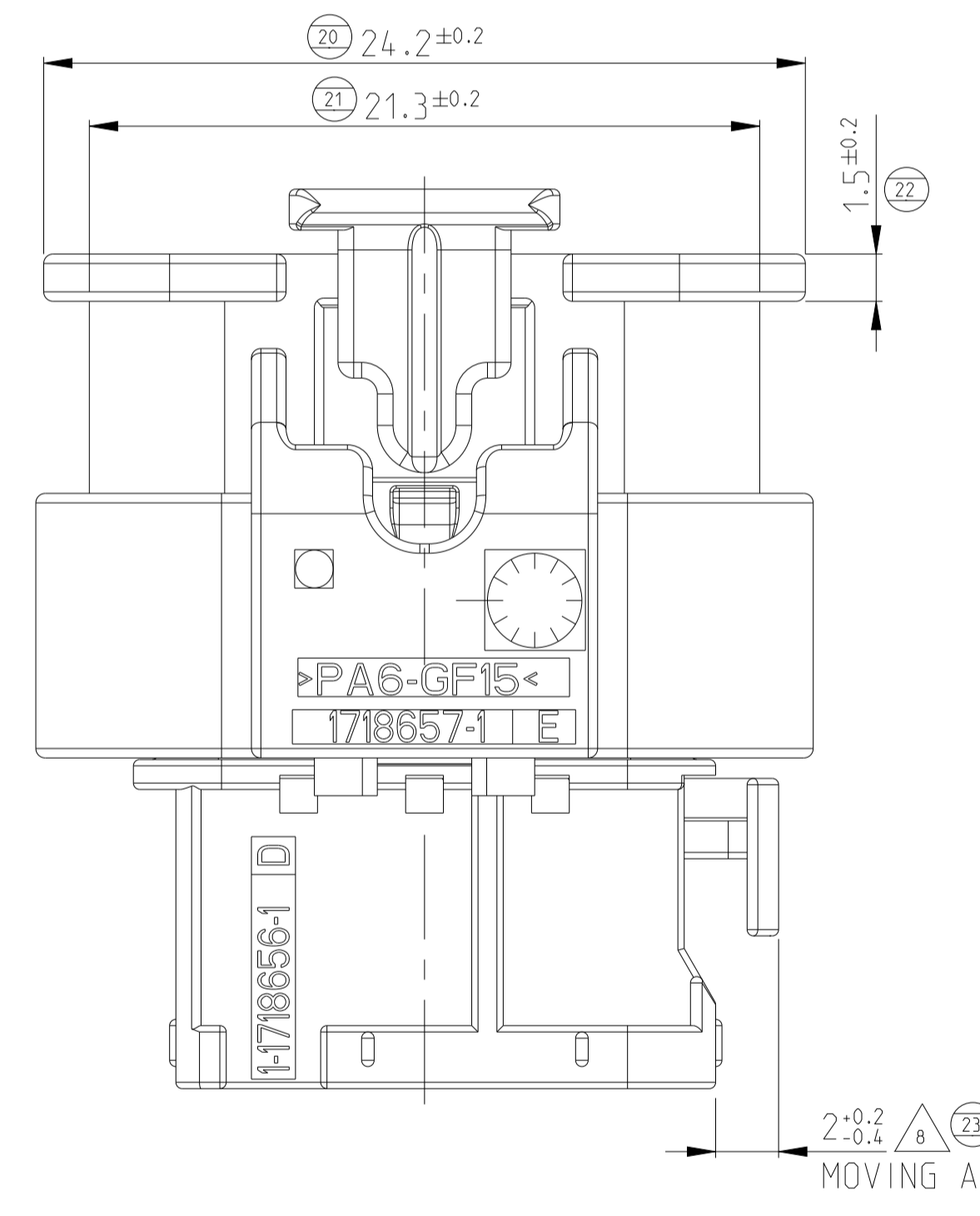
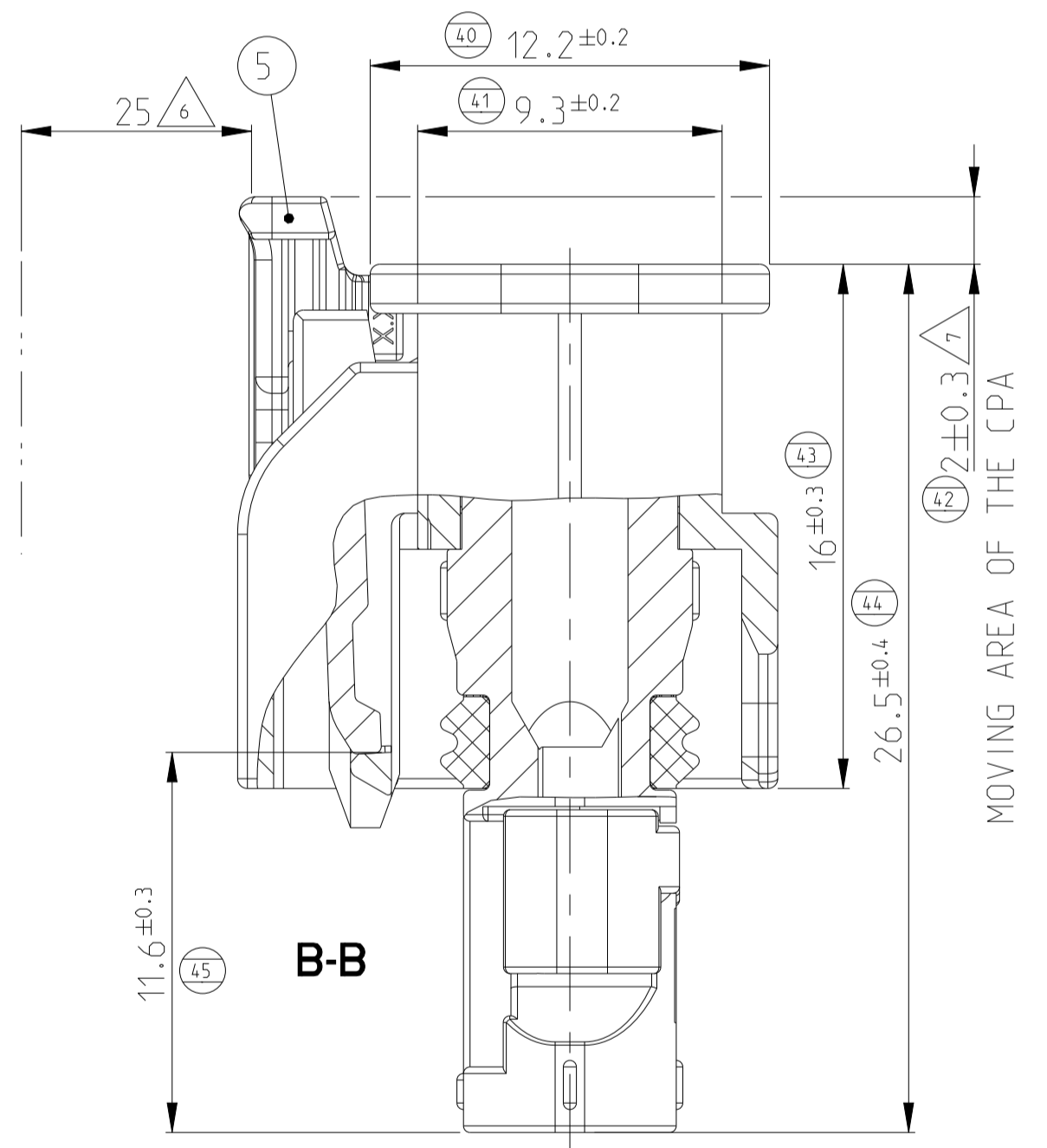
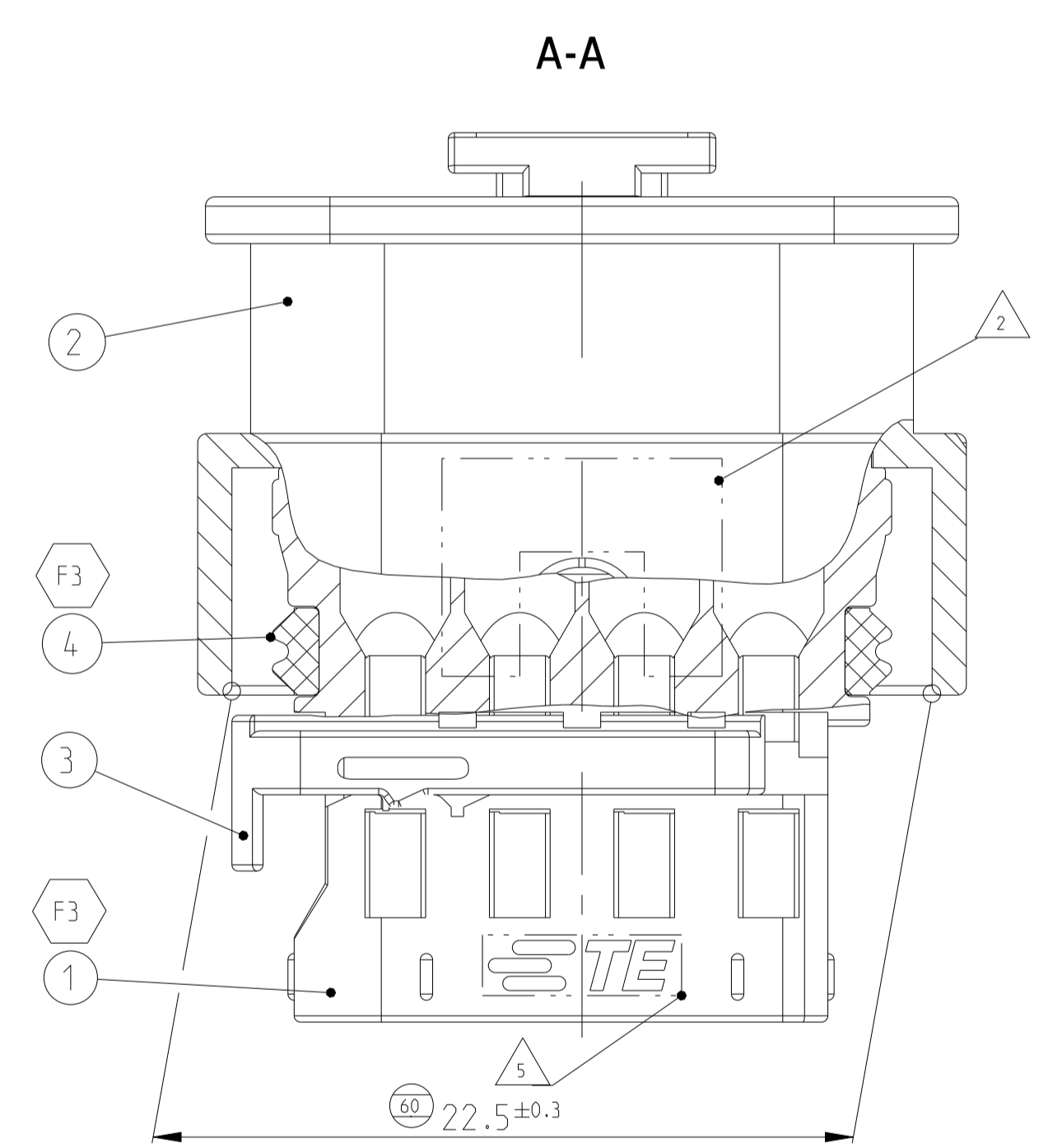
CODINGS
M 2:1



REVISIONS				
P	LTN	DESCRIPTION	DATE	OWN APVD
F1		INNER HSG AND SEAL DESIGN IMPROVED	25JUN2020	SZn LSz
		GLOBAL VERSIONS ADDED		
F2	2-1718645-1	Seal and Rec. Hsg. design impr.	08JUL2021	SZN LSZ
F3	1-1718645-1	Seal and Rec. Hsg. design impr.	13OCT2021	SZN SZL

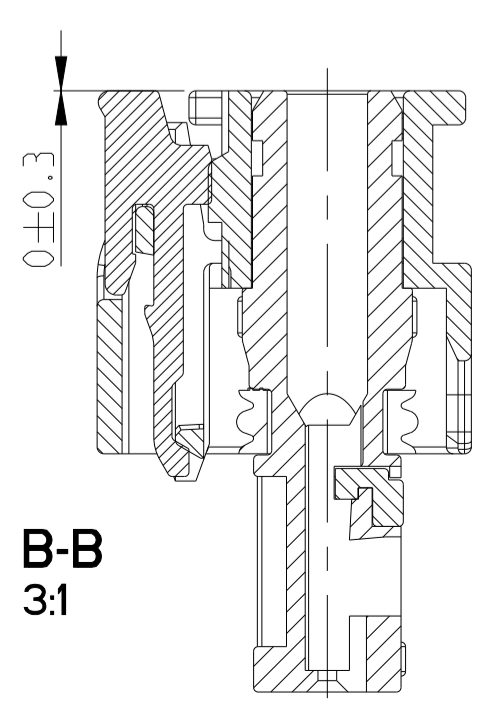
NOTES:

- MAX. WIRE SIZE RANGE 1.0 mm² FLR PERMITTED FOR CAVITY-Ø 3.55MM QUANTITY SEE WIRE HARNESS DRAWING FOR PERMISSIBLE CURRENT CARRYING CAPACITY OF THE SINGLE CONTACT SEE PRODUCT SPECIFICATION NO. 108-18782
 - AREA FOR PRINT
 - USABLE CONTACTS MCON 1.2 LL SEE TE-NO. 1452674, SINGLE WIRE SEAL-VERSION
 - ACCORDING TO INTERFACE DRAWING 114-18679-3
 - SUPPLIER-MARK
 - SPACE OF ACTIVITY
 - SUPPLY CONDITION: CPA IN PRELOCKED POSITION
 - SUPPLY CONDITION: RETAINER IN PRELOCKED POSITION
 - WARPAGE PERMITTED TO MAX. -0.5mm
 - TE ORDER-NO.
 - ASSEMBLY LINE SEGMENT IDENTIFICATION
 - DATE CODE (DDYY)
 - DIVERGENT MARKING FOR PARTS FROM CHINESE AND U.S. PRODUCTION
- 1-...-1 AS SHOWN

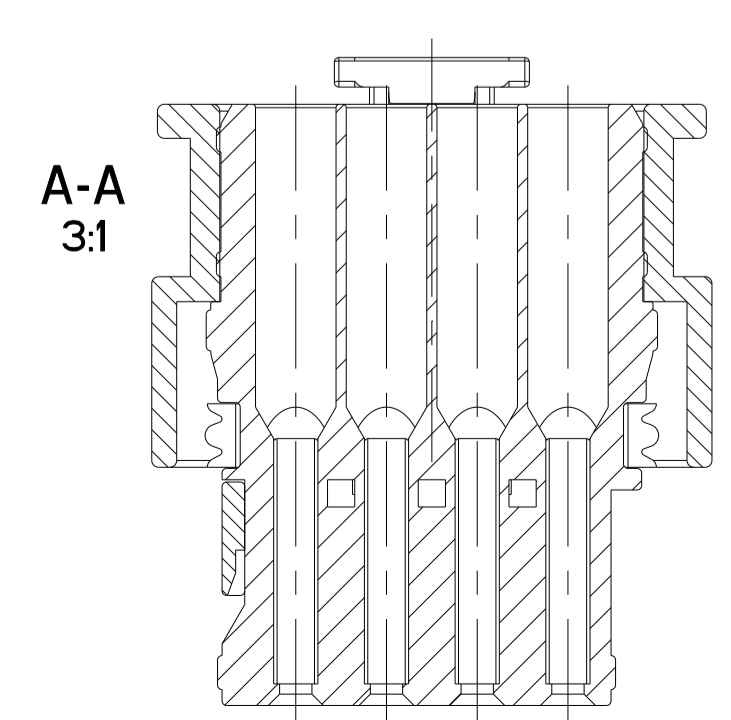


TE-ORDER-NO.	COD	DEFINITION	REV	QTY	DEFINITION	MATERIAL	SURFACE/COLOUR	ITEM
1-1718645-3	A	4pos. MCON 1.2 - LL Connector, Sealed	F	1	MCON 1.2 - CPA	PA46-GF15	RED	5
				1	4pos. MCON 1.2 - Seal	MVQ	NATURE	4
				1	4pos. MCON 1.2 - Retainer	PA66-GF15	VIOLET	3
				1	4pos. MCON 1.2 - Protec. Cover	PA6-GF15	YELLOW	2
2-1718645-1	B	4pos. MCON 1.2 - LL Connector, Sealed	F	1	MCON 1.2 - CPA	PA46-GF15	GREY	5
				1	4pos. MCON 1.2 - Seal	MVQ	NATURE	4
				1	4pos. MCON 1.2 - Retainer	PA66-GF15	VIOLET	3
				1	4pos. MCON 1.2 - Protec. Cover	PA6-GF15	BLACK	2
1-1718645-1	A	4pos. MCON 1.2 - LL Connector, Sealed	F	1	MCON 1.2 - CPA	PA46-GF15	NATURE	5
				1	4pos. MCON 1.2 - Seal	MVQ	NATURE	4
				1	4pos. MCON 1.2 - Retainer	PA66-GF15	VIOLET	3
				1	4pos. MCON 1.2 - Protec. Cover	PA6-GF15	BLACK	2
				1	4pos. MCON 1.2 - Rec. Housing	PA66-GF30	BLACK	1

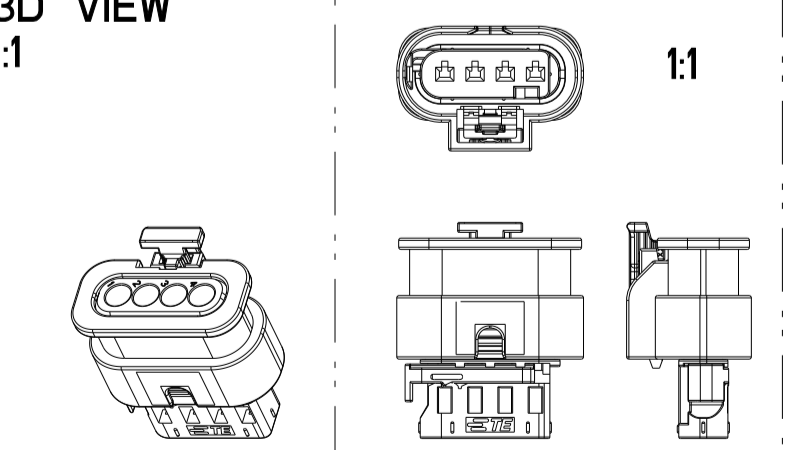
CPA IN END POSITION



RETAINER IN END POSITION



3D VIEW
1:1



DIMENSIONS: mm		TOLERANCES UNLESS OTHERWISE SPECIFIED	
0 PLC	±	0.15	±
1 PLC	±	0.10	±
2 PLC	±	0.08	±
3 PLC	±	0.07	±
4 PLC	±	0.06	±
ANGLES		±0°	
MATERIAL		FINISH	
-		-	

TE Connectivity		NAME	
4pos. MCON 1.2 - LL Connector, Sealed		-	
SIZE	CAGE CODE	DRAWING NO.	RESTRICTED TO
A1	00779	1718645	-
CUSTOMER DRAWING		SCALE	SHEET 1 OF 1
		5:1	REV F3

单击下面可查看定价，库存，交付和生命周期等信息

[>>TE Connectivity\(泰科\)](#)