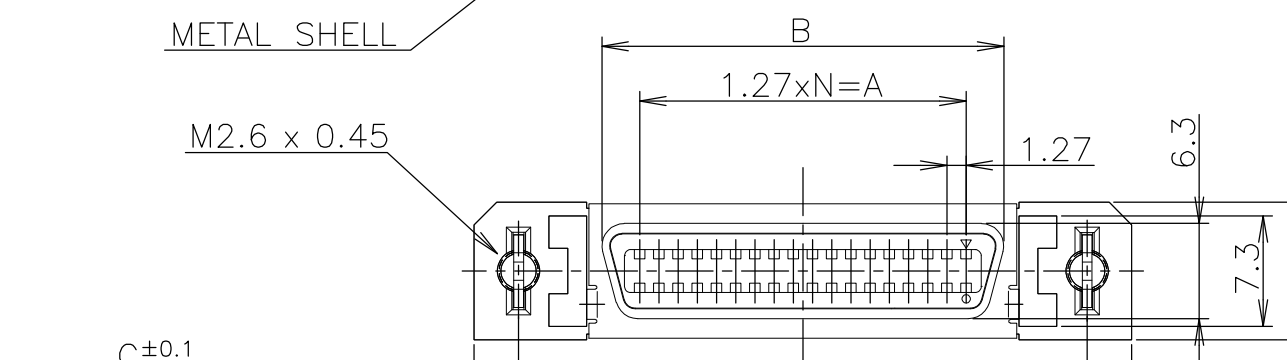
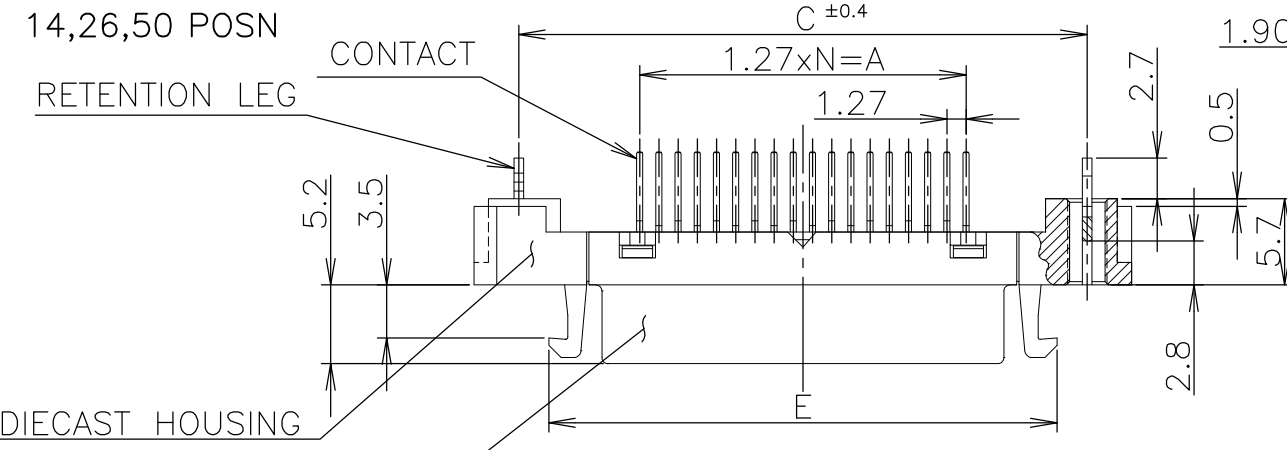
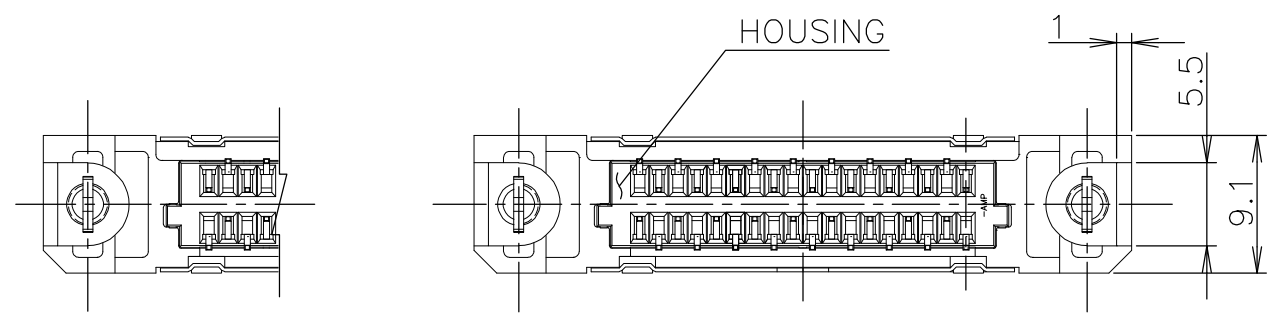


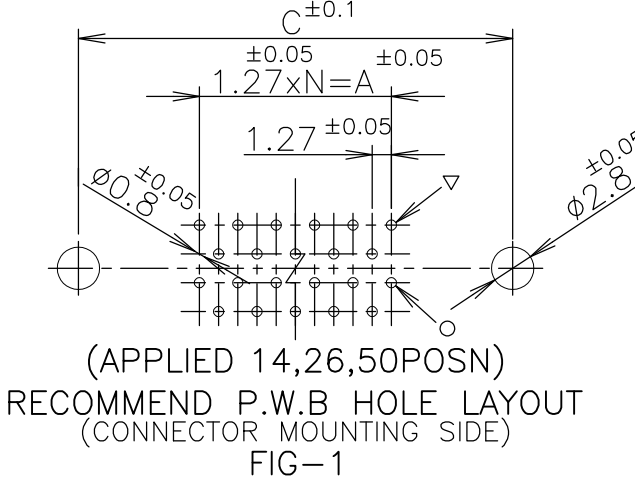
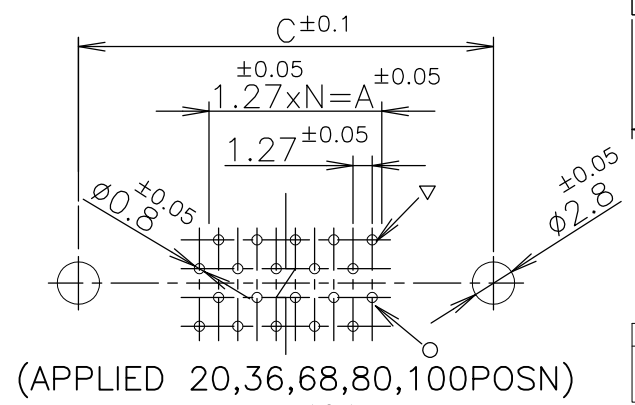
THIS DRAWING IS UNPUBLISHED. RELEASED FOR PUBLICATION SEP, 2004.
 © COPYRIGHT 2004 By - ALL RIGHTS RESERVED.

LOC	DIST	REVISIONS			
P	LTR	DESCRIPTION	DATE	DWN	APVD
J					
	R	REVISED PER ECO-12-012349	28MAR13	BL	AC



PANEL CUTOUT
(THK; 2mm MAX.)
FIG-2

- 1 USED SCREW SIZE; M2.6 PANHEAD SCREW.
- 2 CONNECTOR TO BE MATED; 175677,175751
- △ MATERIAL AND FINISH;
 - * CONTACT; PHOS-BRONZE
FIN.; AU PLATING OVER Ni UNDER PLATING ON CONTACT AREA.
TIN PLATING OVER Ni UNDER PLATING ON SOLDER TINE AREA.
 - * METAL SHELL; STEEL
FIN.; Ni PLATING OVER COPPER UNDER PLATING.
 - * DIECAST HOUSING; ZINC
FIN.; Ni PLATING OVER COPPER UNDER PLATING.
 - * HOUSING; THERMOPLASTIC, UL94V-0, BLACK
 - * RETENTION LEG; BRASS,
TIN PLATING WITH OVER NICKEL PLATING OVER ALL
- 4 RECOMMEND P.W.B THICKNESS; 1.6mm
- △ OBSOLETE



LEAD FREE

GOLD PLATING	0.00076								0.0003									
	N	F	E	D	C	B	A	POSN	N	F	E	D	C	B	A	POSN		
	39	61.90	61.55	71.45	65.55	54.53	49.53	80	3-5917334-0	49	74.60	74.25	84.15	78.25	67.23	62.23	100	2-5917334-9
	33	54.20	53.93	63.83	57.93	46.91	41.91	68	2-5917334-8	24	42.80	42.50	52.40	46.50	35.48	30.48	50	2-5917334-7
	17	33.90	33.61	43.51	37.61	26.59	21.59	36	2-5917334-5	12	27.60	27.26	37.16	31.26	20.24	15.24	26	2-5917334-4
	9	23.80	23.45	33.35	27.45	16.43	11.43	20	2-5917334-2	6	19.90	19.64	29.54	23.64	12.62	7.62	14	2-5917334-1
	6	19.90	19.64	29.54	23.64	12.62	7.62	14	1-5917334-0	39	61.90	61.55	71.45	65.55	54.53	49.53	80	5917334-9
									5917334-8	49	74.60	74.25	84.15	78.25	67.23	62.23	100	5917334-7
									5917334-5	33	54.20	53.93	63.83	57.93	46.91	41.91	68	5917334-4
									5917334-2	24	42.80	42.50	52.40	46.50	35.48	30.48	50	5917334-1
									5917334-0	17	33.90	33.61	43.51	37.61	26.59	21.59	36	
										12	27.60	27.26	37.16	31.26	20.24	15.24	26	
										9	23.80	23.45	33.35	27.45	16.43	11.43	20	
										6	19.90	19.64	29.54	23.64	12.62	7.62	14	

THIS DRAWING IS A CONTROLLED DOCUMENT.

DIMENSIONS: mm	TOLERANCES UNLESS OTHERWISE SPECIFIED:	DWN COREL WANG 01SEP04	 TE Connectivity
	0 PLC ± 0.2	CHK STEVEN YAO 01SEP04	
	1 PLC ± 0.2	APVD I.ENOMOTO 01SEP04	
	2 PLC ± 0.2		
	3 PLC ± 0.2		NAME
	4 PLC ± 0.2		PRODUCT SPEC
	ANGLES ± 3°		108-5288
	FINISH		APPLICATION SPEC
MATERIAL SEE NOTE 3	SEE NOTE 3		REC HEADER ASSY, VERTICAL W/RETENTION LEG CHAMP .050 SERIES (II) STD-TYPE (M2.6)
			SIZE CAGE CODE DRAWING NO RESTRICTED TO
			A3 00779 C-5917334
			CUSTOMER DRAWING SCALE 2:1 SHEET 1 OF 1 REV R

单击下面可查看定价，库存，交付和生命周期等信息

[>>TE Connectivity\(泰科\)](#)