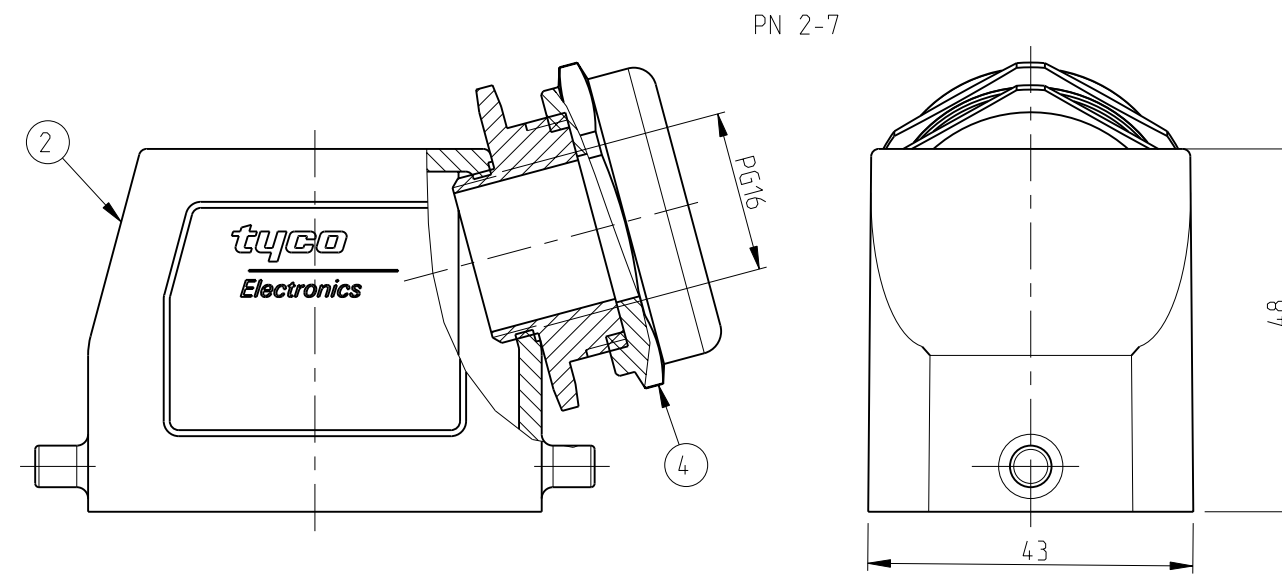
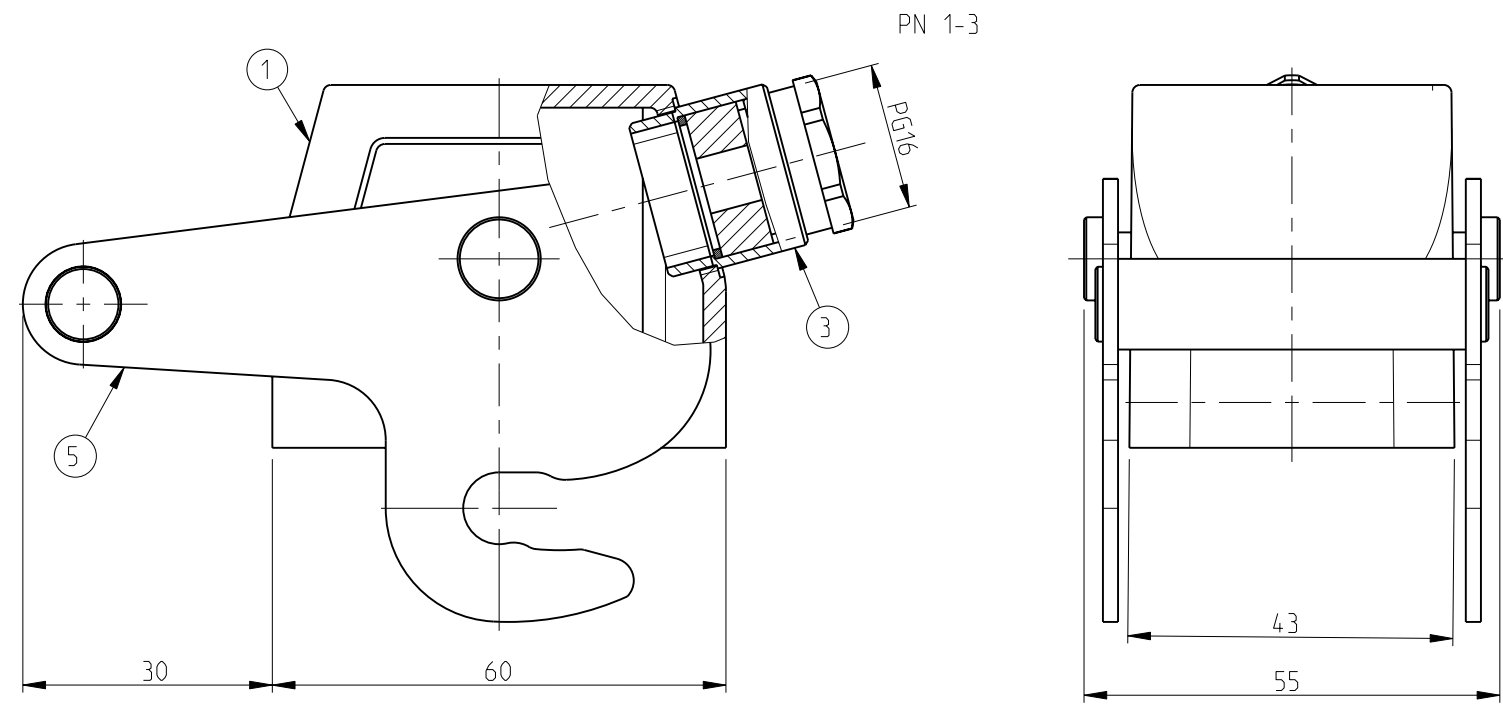
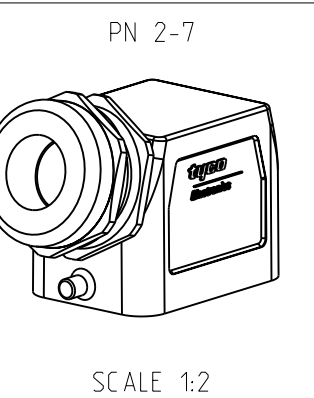
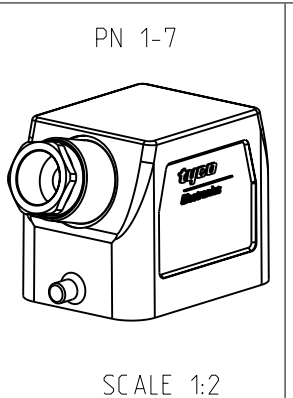
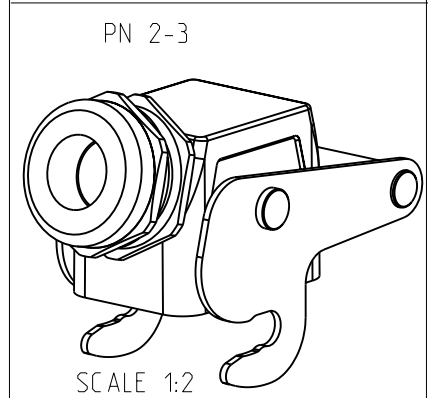
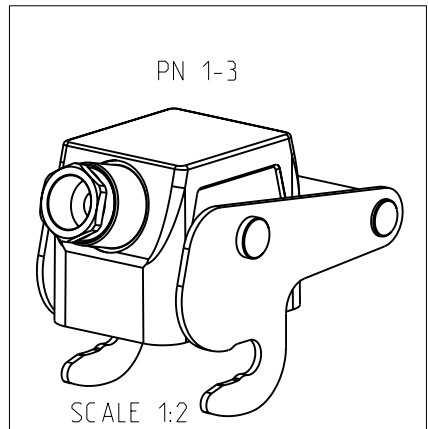
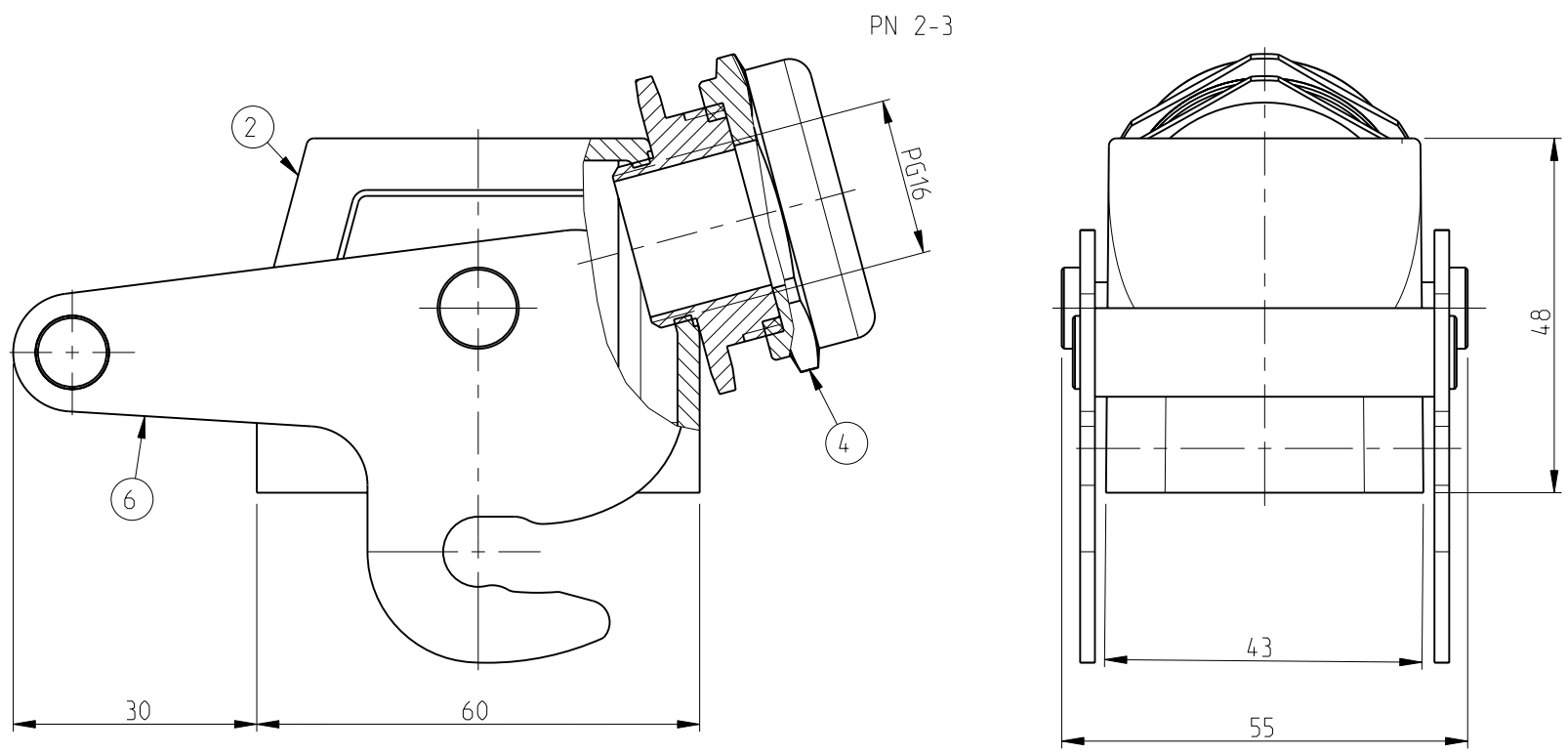


THIS DRAWING IS UNPUBLISHED. RELEASED FOR PUBLICATION 1997
 © COPYRIGHT 1997 BY TYCO ELECTRONICS CORPORATION. ALL RIGHTS RESERVED.

LOC		DIST		REVISIONS			
P	LTR	DESCRIPTION	DATE	DWN	APVD		
B4		Released as per ECR-08-005944	06.Mar.2008	SP	TS		
B5		REVISED PER ECO-09-027197	14DEC2009	KK	AEG		

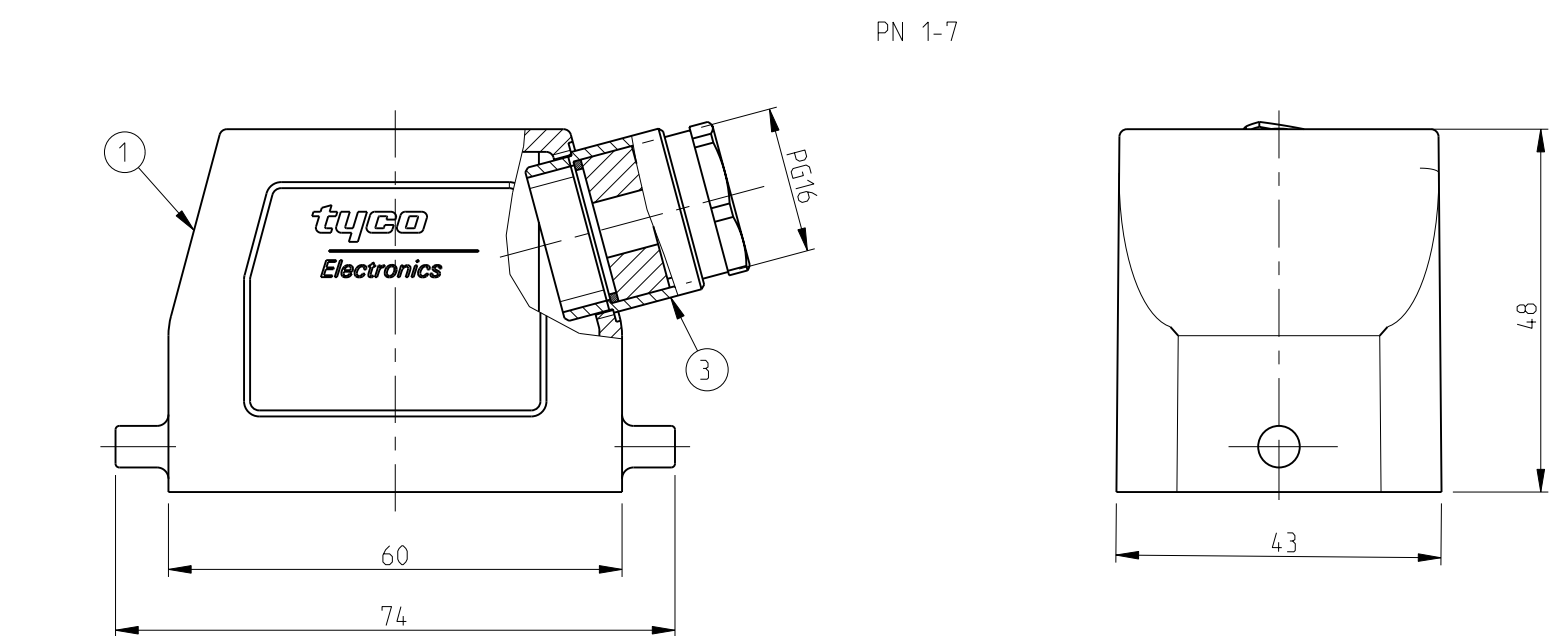


- Notes
- 1 Material: Housing: Aluminium diecasting alloy
 - 2 Surface:- Varnish-grey
-Aluminium oxide+
Varnish black
 - 3 Varnish on the inside not necessary
 - 4 Packaging
Packaging quantity: 5 pieces in a box
 - 5 OBSOLETE PARTS: OBSOLETE CIS STREAMLINING PER D.RENAUD/D.SINISI



5
 OBSOLETE
 OBSOLETE

QTY	DESCRIPTION	MATERIAL	SURFACE	COLOR	ITEM NO	NOTES
1	ZB-Side clip	Stainlees steel			6	
1	ZB-Side clip	Steel	Zinc plated	Blue	5	
1	Hat-Cable connection PG16	Brass	Nickel plated		4	
1	PG-Gland fitting Pg21	Brass	Nickel plated		3	
1	Hood HB6.Sts	Aluminium	Aluminium oxide	Black	2	
1	Hood HB6.Sts	Aluminium	-	Grey	1	



ORDERING TEXT

HB-6.Sts.1.16
 HB-K-6.Sts.1.16
 HB-Z-6.Sts-ZB.1.16
 HB-K/Z-6.Sts-ZB.1.16

THIS DRAWING IS A CONTROLLED DOCUMENT FOR TYCO ELECTRONICS CORPORATION IT IS SUBJECT TO CHANGE AND THE CONTROLLING ENGINEERING ORGANIZATION SHOULD BE CONTACTED FOR THE LATEST REVISION.

DWN: Schneider 23.07.1997
 CHK: Schweiger 23.07.1997
 APVD: Schneider

NAME: HOOD HB6

PRODUCT SPEC: 108/74001/74003
 APPLICATION SPEC: 114-74001/74004/74005

WEIGHT: A2
 CAGE CODE: 00779
 DRAWING NO: 1102238

RESTRICTED TO: A2

CUSTOMER DRAWING SCALE: 1:1 SHEET: 1 OF 1 REV: B5

单击下面可查看定价，库存，交付和生命周期等信息

[>>TE Connectivity\(泰科\)](#)