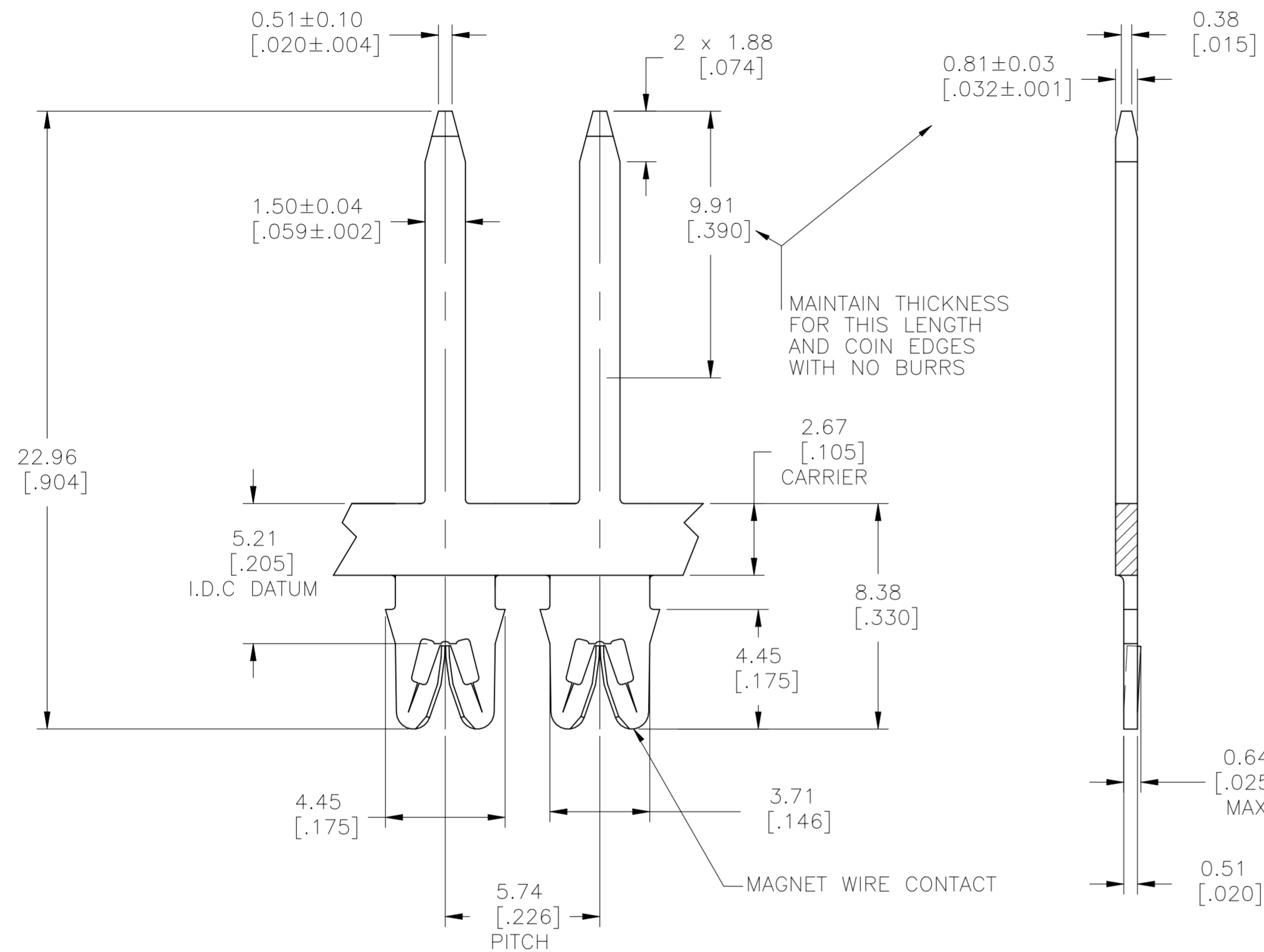
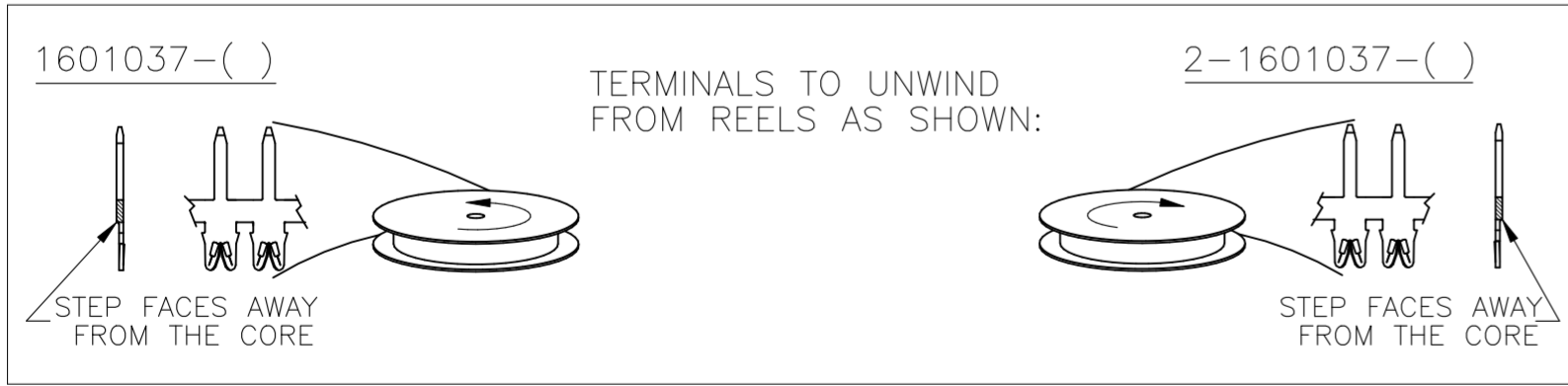
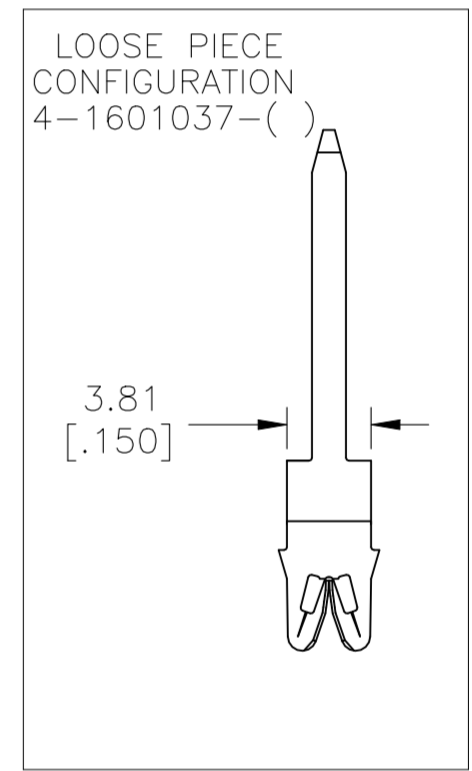


THIS DRAWING IS UNPUBLISHED. RELEASED FOR PUBLICATION
 © COPYRIGHT - TE Connectivity Ltd. ALL RIGHTS RESERVED.

REVISIONS					
P	LTR	DESCRIPTION	DATE	DWN	APVD
	C5	REVISED PER ECR-21-120316	11NOV2021	BDA	KR



- 1 SPECIFICATIONS:
MAGNET WIRE #18- #34 AWG
1.02 mm (.040)- 0.16 mm (.006) DIA COPPER.
- 2 POCKET RECOMMENDATION: # 1601431
- 3 TERMINAL APPLICATION TO COMPLY WITH TYCO ELECTRONICS SPECIFICATION 114-13166 FIGURE 10
- 4 TERMINALS SUPPLIED ON REELS, CAN BE SUPPLIED LOOSE PIECE,
- 5 TWO(2) TERMINALS SHOWN FOR ILLUSTRATION PURPOSES ONLY.
- 6 PRODUCT SPECIFICATION: STANDARD SIAMEZE 108-2085
- 7 PRODUCT SPECIFICATION; HIGH TEMPERATURE 108-2293
- 8 PRELIMINARY-FOR QUOTATION



POST TIN PLATE	BRASS, ³ / ₄ HARD	-	6 1601037-4 8
UNPLATED	EXTRA HARD CU ALLOY	-	7 4-1601037-3 8
UNPLATED	EXTRA HARD CU ALLOY	-	7 2-1601037-3 8
PRE-TIN PLATE	BRASS, ³ / ₄ HARD	131-084-010	6 2-1601037-2
PRE-TIN PLATE	BRASS, ³ / ₄ HARD	131-083-010	6 1601037-2
FINISH	MATERIAL	REFERENCE PART NUMBER	TE PART NUMBER
THIS DRAWING IS A CONTROLLED DOCUMENT.		TE Connectivity Ltd.	
DIMENSIONS: mm [INCHES] TOLERANCES UNLESS OTHERWISE SPECIFIED: 0 PLC ± - 1 PLC ± - 2 PLC ± 0.13[.005] 3 PLC ± - 4 PLC ± - ANGLES ± 2°		NAME: J.WELLER 11JAN2002 CHK: M.FEHER 11JAN2002 APVD: K.RANDOLPH 11JAN2002 PRODUCT SPEC: SEE NOTES APPLICATION SPEC: 3	
MATERIAL: SEE TABLE	FINISH: SEE TABLE	WEIGHT: 0.000000	RESTRICTED TO: -
CUSTOMER DRAWING		SCALE: 6:1	SHEET: 1 OF 1
		DRAWING NO: A2 00779	REV: C5
		DRAWING NO: C=1601037	

单击下面可查看定价，库存，交付和生命周期等信息

[>>TE Connectivity\(泰科\)](#)