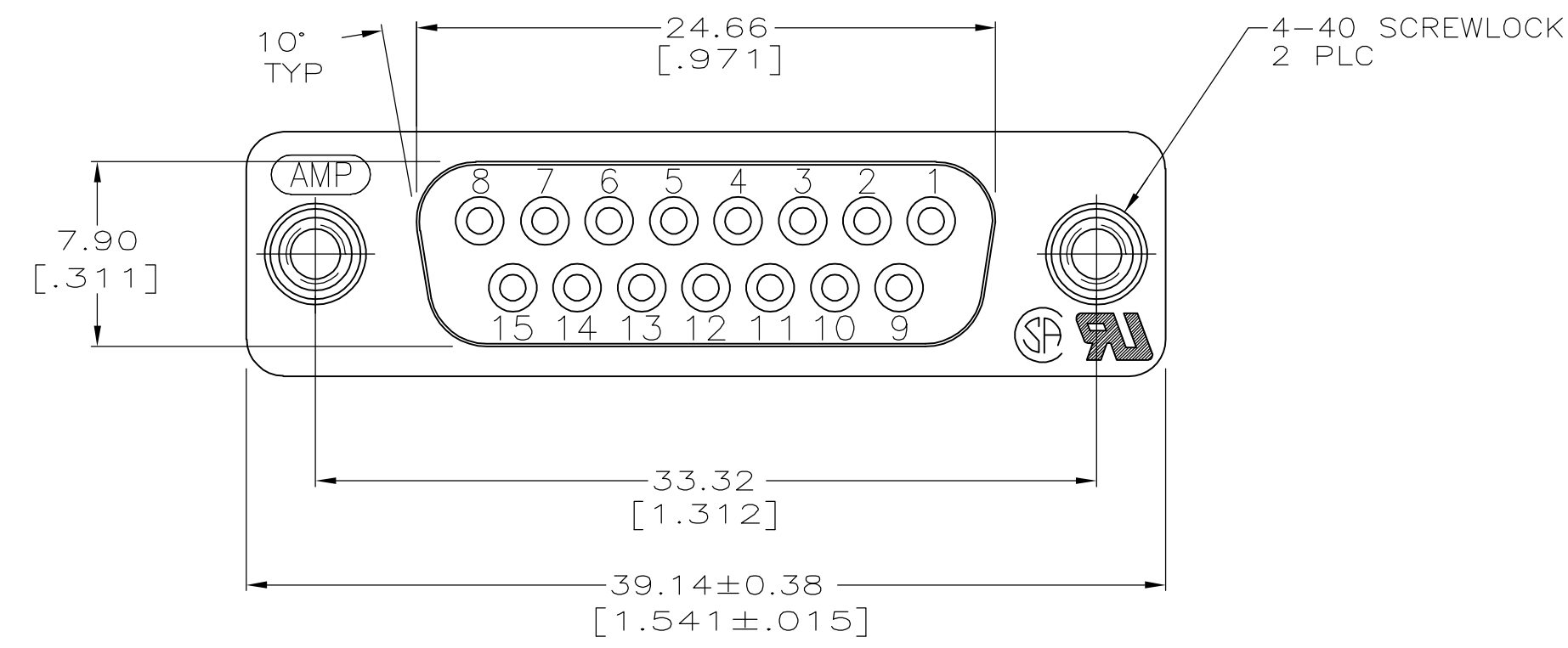
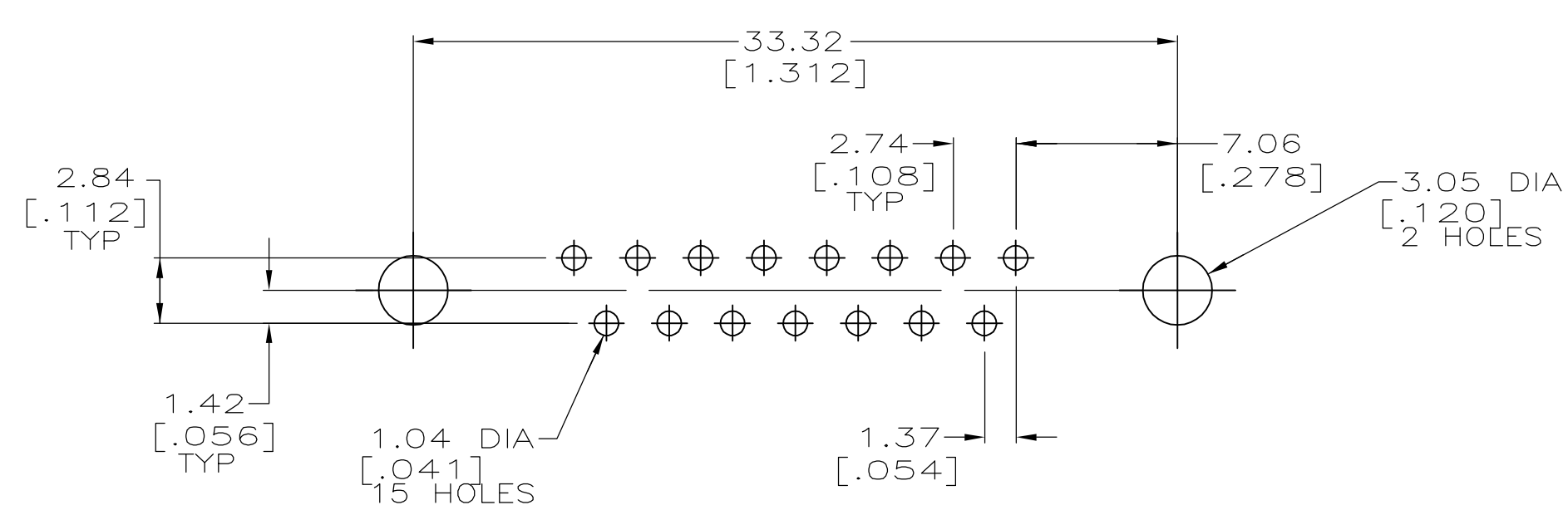
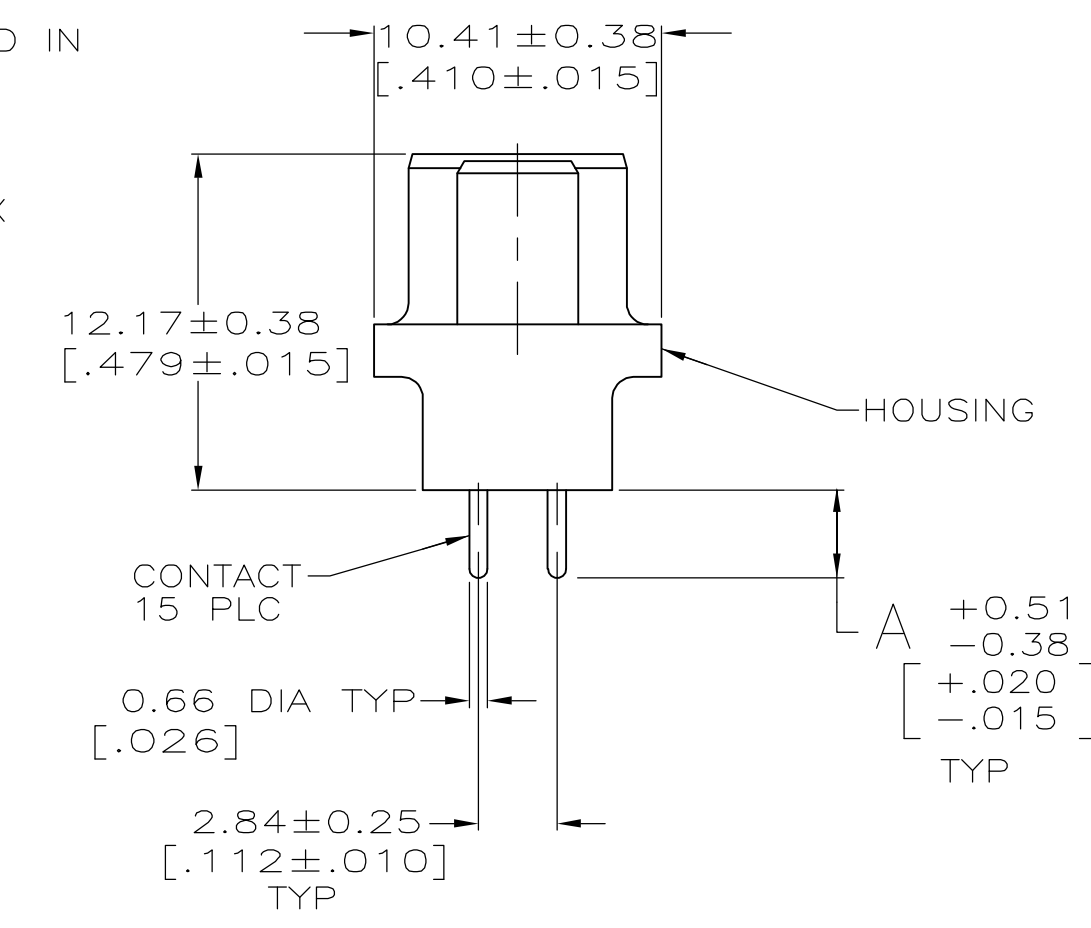
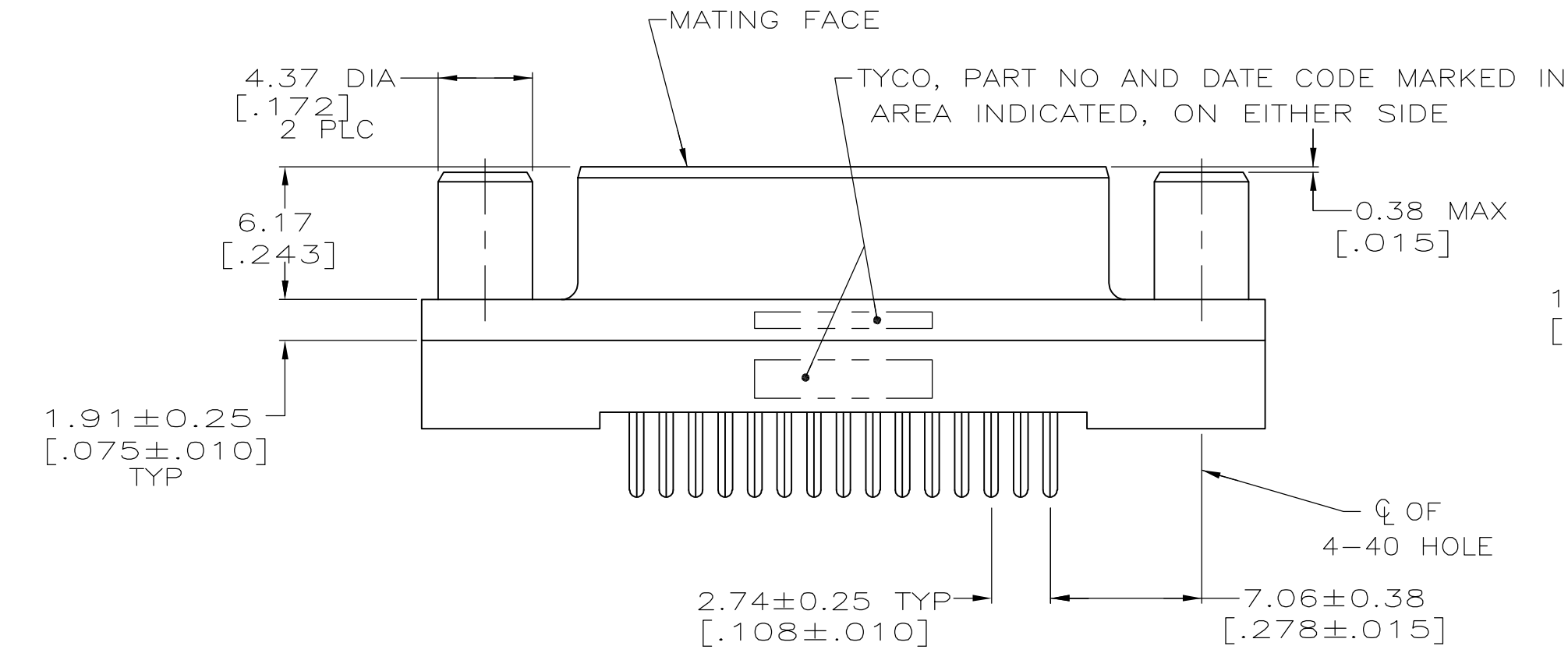


THIS DRAWING IS UNPUBLISHED. RELEASED FOR PUBLICATION
 © COPYRIGHT BY TYCO ELECTRONICS CORPORATION. ALL RIGHTS RESERVED.

LOC	DIST	REVISIONS			
P	LTR	DESCRIPTION	DATE	OWN	APVD
GP	00	0	RELEASED PER EC 0S13-0087-05	31AUG05	GP JG



- ① HOUSING: BLACK POLYESTER, UL 94V-0 RATED; CONTACTS: PHOSPHOR BRONZE; SCREWLOCKS: BRASS.
- ② CONTACTS: SEE TABLE. SCREWLOCKS: 1.27µm [.000050] MIN NICKEL OVER COPPER FLASH.
- ③ GOLD FLASH FOR A LENGTH OF 2.54 [.100] MIN FROM MATING END, 2.54µm [.000100] MIN TIN FOR A LENGTH OF DIMENSION A FROM OPPOSITE END, ALL OVER 1.27µm [.000050] MIN NICKEL.
- ④ 0.76 µm [.000030] MIN GOLD FOR A LENGTH OF 2.54 [.100] MIN FROM MATING END, 2.54µm [.000100] MIN TIN FOR A LENGTH OF DIMENSION A FROM OPPOSITE END, ALL OVER 1.27µm [.000050] MIN NICKEL.



RECOMMENDED PC BOARD MOUNTING DIMENSIONS

4.32 [.170]	④	5745077-6
3.18 [.125]	④	5745077-4
3.18 [.125]	③	5745077-3
A	CONTACT FINISH	PART NO

THIS DRAWING IS A CONTROLLED DOCUMENT.		DWN	31AUG05	Tyco Electronics Corporation	
DIMENSIONS: mm[INCHES]		CHK	31AUG05	Harrisburg, Pa 17105-3608	
TOLERANCES UNLESS OTHERWISE SPECIFIED:		APVD	31AUG05	NAME	
0 PLC	± -	M. WALMSLEY		RECEPTACLE ASSEMBLY, SIZE 2,	
1 PLC	± -	PRODUCT SPEC		15 POSN, VERTICAL,	
2 PLC	± 0.13 [.005]	APPLICATION SPEC		AMPLIMITE HD-20	
3 PLC	± -	SIZE	CAGE CODE	DRAWING NO	RESTRICTED TO
4 PLC	± - ± 2'	A2	00779	5745077	-
MATERIAL	FINISH	WEIGHT	SCALE 4:1		SHEET 1 OF 1
①	②	-	REV 0		
CUSTOMER DRAWING					

单击下面可查看定价，库存，交付和生命周期等信息

[>>TE Connectivity\(泰科\)](#)