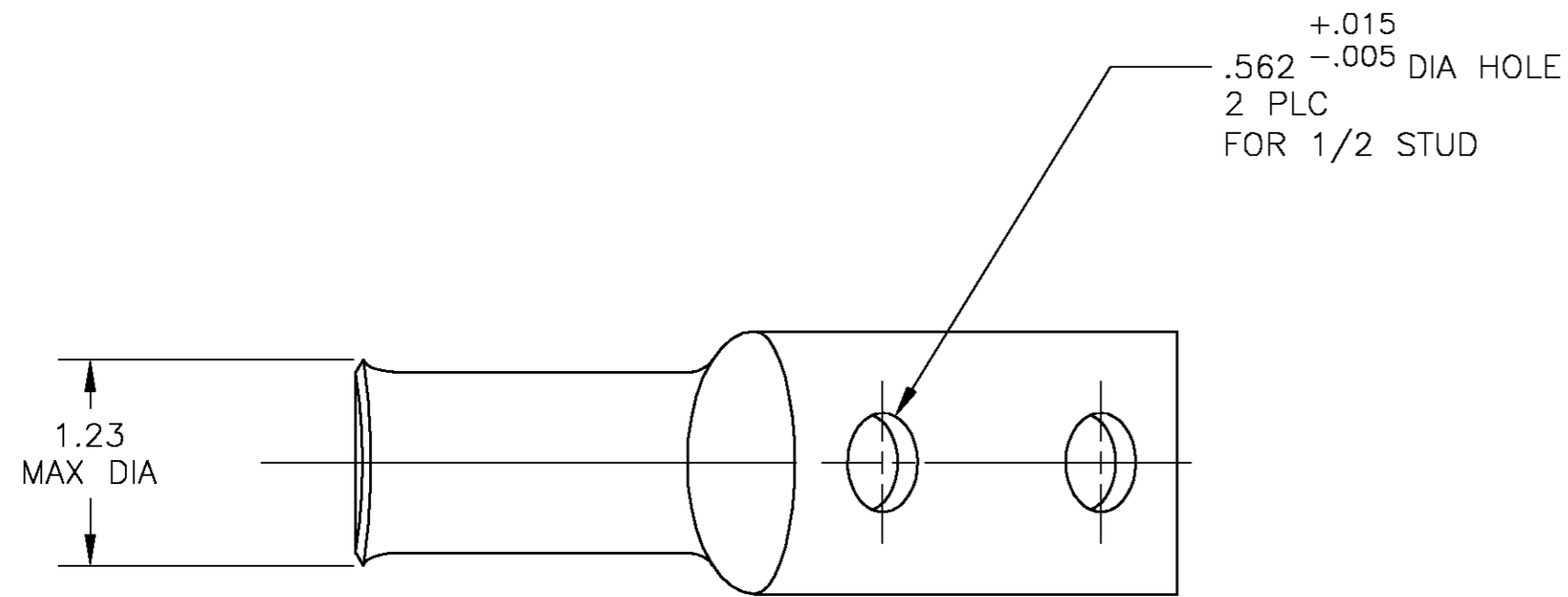
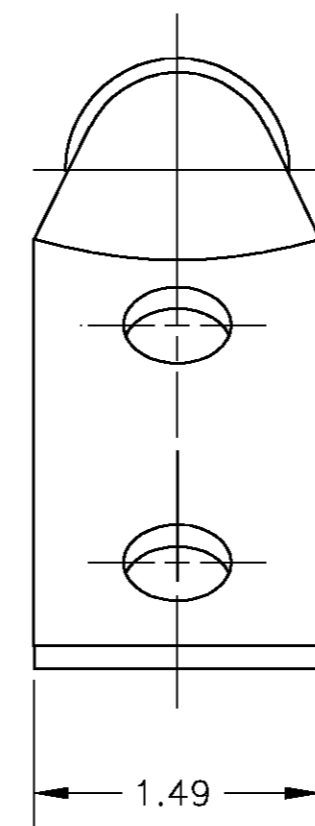
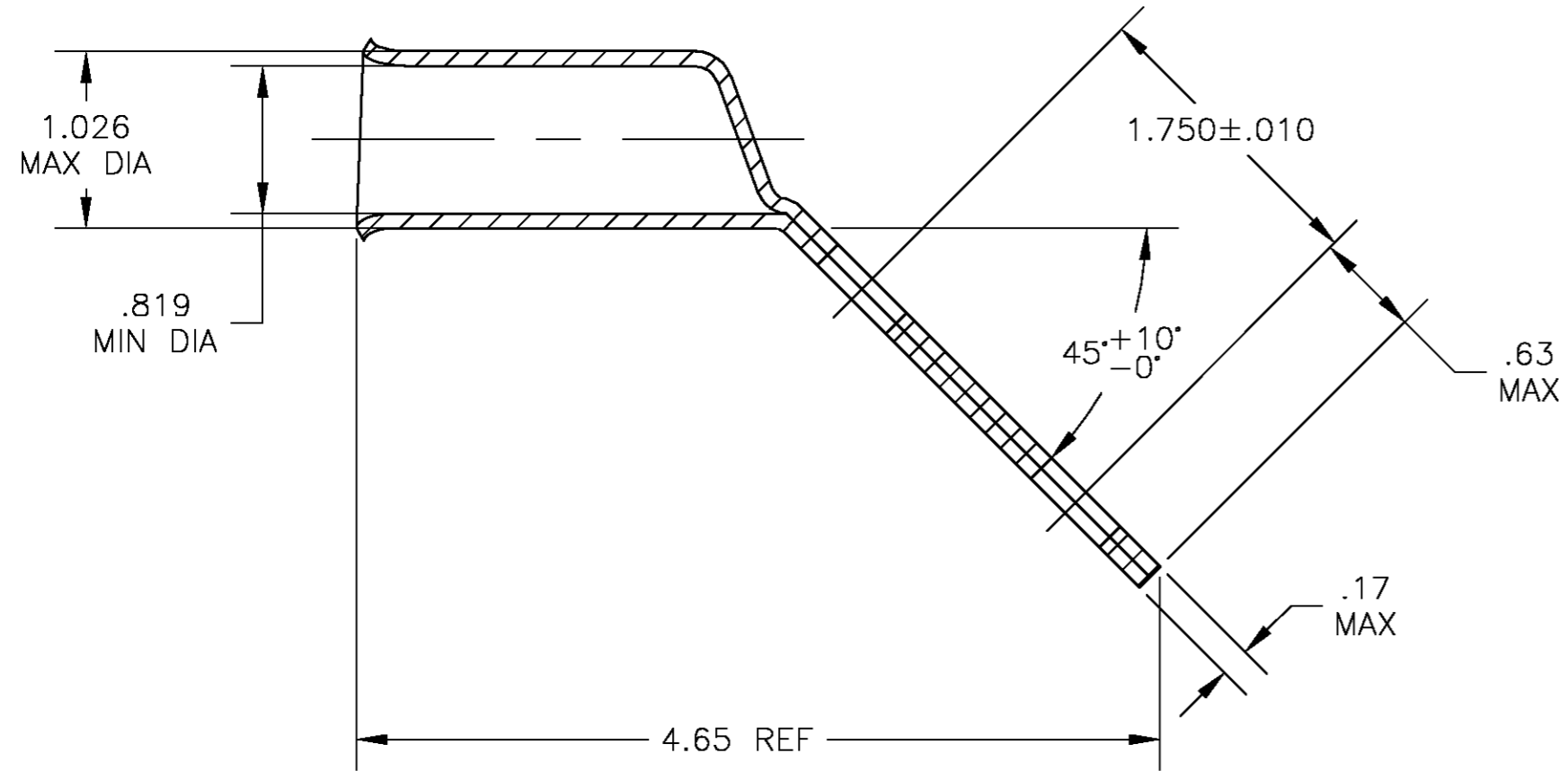
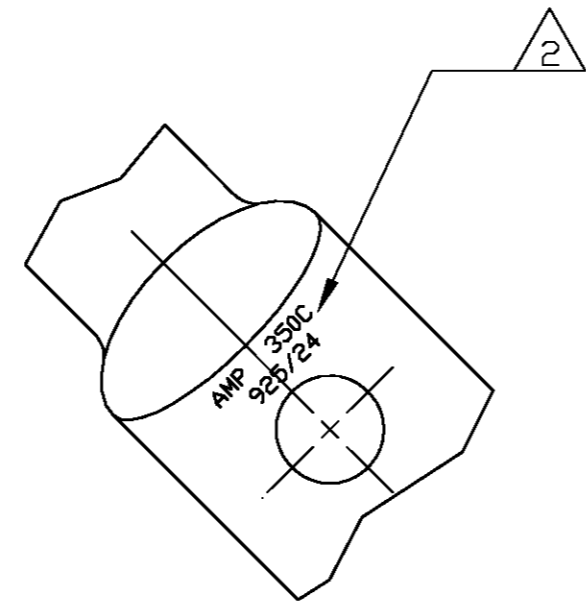


THIS DRAWING IS UNPUBLISHED. RELEASED FOR PUBLICATION
 © COPYRIGHT BY TYCO ELECTRONICS CORPORATION. ALL RIGHTS RESERVED.

LOC	DIST	REVISIONS					
		P	LTR	DESCRIPTION	DATE	DWN	APVD
G	86	0		PROPOSED	-	-	-



- 1 CIRCULAR MIL RANGE: 325-375 MCM
- △ 2 STAMP AMP 350C 925/24 ,LOCATE APPROX AS SHOWN.
- △ 3 .000150 MIN THK TIN PER ASTM B545
- △ 4 COPPER PER ASTM B-75, ANNEALED



696684-1
 PART NO

THIS DRAWING IS A CONTROLLED DOCUMENT.		DWN jr ruth 29JAN04	Tyco Electronics Corporation Harrisburg, Pa 17105-3608	
DIMENSIONS: INCHES		CHK MJ SPICER 29JAN04	NAME MJ SPICER 29JAN04	
TOLERANCES UNLESS OTHERWISE SPECIFIED:		APVD MJ SPICER 29JAN04	PRODUCT SPEC 108-30200	
0 PLC ± -		APPLICATION SPEC		
1 PLC ± -		WEIGHT -		
2 PLC ± -		SIZE A2		
3 PLC ± .020		CAGE CODE 00779		
4 PLC ± -		DRAWING NO C=696684		
ANGLES ± 1°		RESTRICTED TO -		
FINISH - △ 3		SCALE 1:1		
MATERIAL - △ 4		SHEET 1 OF 1		
CUSTOMER DRAWING		REV 0		

单击下面可查看定价，库存，交付和生命周期等信息

[>>TE Connectivity\(泰科\)](#)