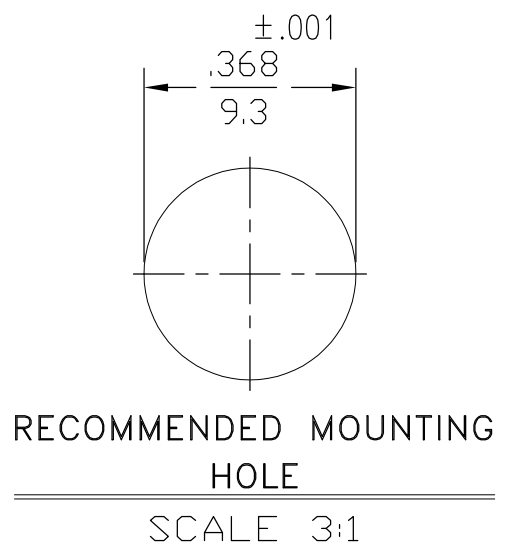


SUPERCEDED BY
CUSTOMER PRINT
1059506



DESIGNED FOR USE WITH .085 S.R.	
CABLE ENTRY DIAMETER MINIMUM	
HOUSING	.089
CONTACT	.0214

REV		DESCRIPTION	DATE	APPROVED
A1		REVISED PER ECO 08-020996	12/16/2008	JO

NOTES:

- CAPTURED CENTER CONTACT

.XXX = in
XX.X = mm (REF)

COMPONENT	MATERIAL	FINISH
HOUSING, OUTER MOUNTING NUT WASHER	STAINLESS STEEL PER ASTM-A484 AND ASTM- A582, TYPE 303	PASSIVATE PER QQ-P-35
RETAINING RING	STAINLESS STEEL	PASSIVATE PER QQ-P-35
HOUSING, INNER	STAINLESS STEEL PER ASTM-A484 AND ASTM- A582, TYPE 303	GOLD PLATE PER MIL-G-45204
DIELECTRIC	TFE FLUOROCARBON PER ASTM-D-1457	N/A
CENTER CONTACT	BERYLLIUM COPPER PER ASTM-B-196 OR ASTM-B-197, ALLOY C17300, CONDITION H	GOLD PLATE PER MIL-G-45204
CONTACT SLEEVE	BERYLLIUM COPPER PER ASTM-B-196, ALLOY C17300, CONDITION H	GOLD PLATE PER MIL-G-45204
CONTACT RING	BERYLLIUM COPPER PER ASTM-B-194, ALLOY C17200, CONDITION H	GOLD PLATE PER MIL-G-45204
LOCKWASHER	CARBON STEEL 1050	NICKEL PLATE PER QQ-N-290
SPRING	MUSIC WIRE	NICKEL PLATE PER QQ-N-290

UNLESS OTHERWISE SPECIFIED DIMENSIONS ARE IN INCHES		DRAWN BY J.B.	DATE 9/10/87		AMP Incorporated	
FRAC. ± 1/64	DEC. ± .005	CHECKED BY M.H/M.	9/16/87		140 Fourth Avenue Waltham, MA 02451-7599	
ANGLES ± 1'		APP'D BY B.A.R.	9/16/87			
These drawings and speci- fications are the property of M/A CDM Interconnect Div. and shall not be reproduced or copied or used in whole or in part as the basis for the manufacture or sale o f item(s) without written permission.		USE ASS'Y PROCEDURE		TITLE DSP FLOATING PANEL FEEDTHRU CABLE JACK DIRECT SOLDER ATTACHMENT		
		408-04596 (45-047) NO. AP. _____		SIZE B	CODE IDENT NO. 26805	4522-7985-02
				SCALE 6:1	SHEET 1 OF 1	

单击下面可查看定价，库存，交付和生命周期等信息

[>>TE Connectivity\(泰科\)](#)