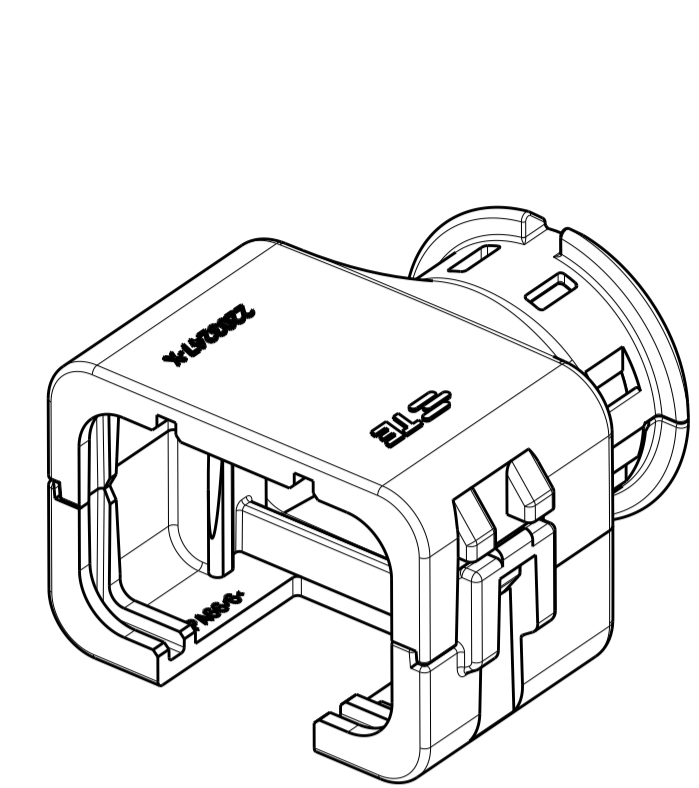
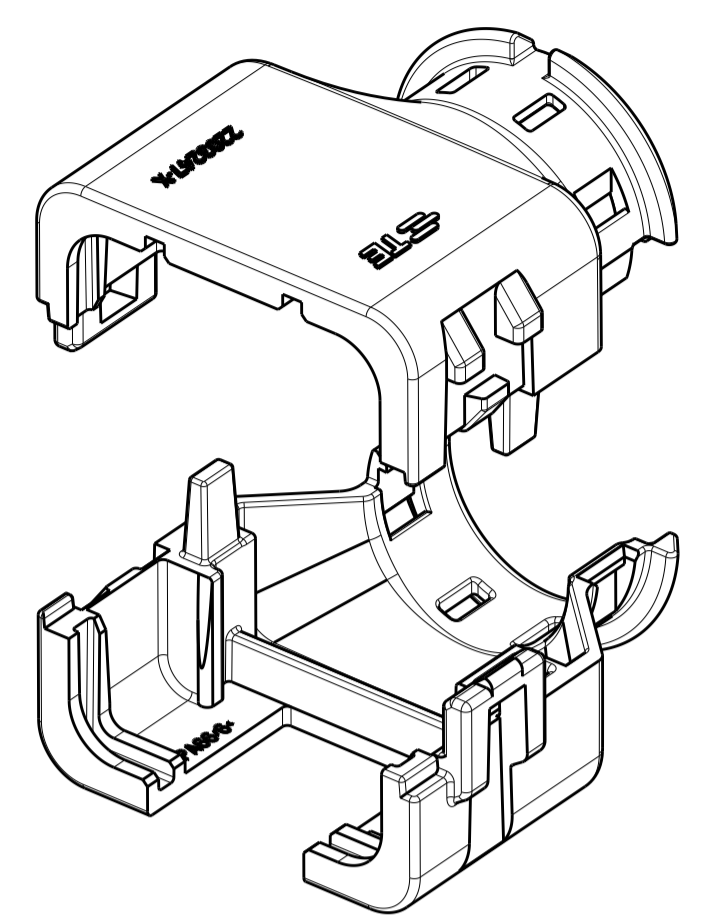


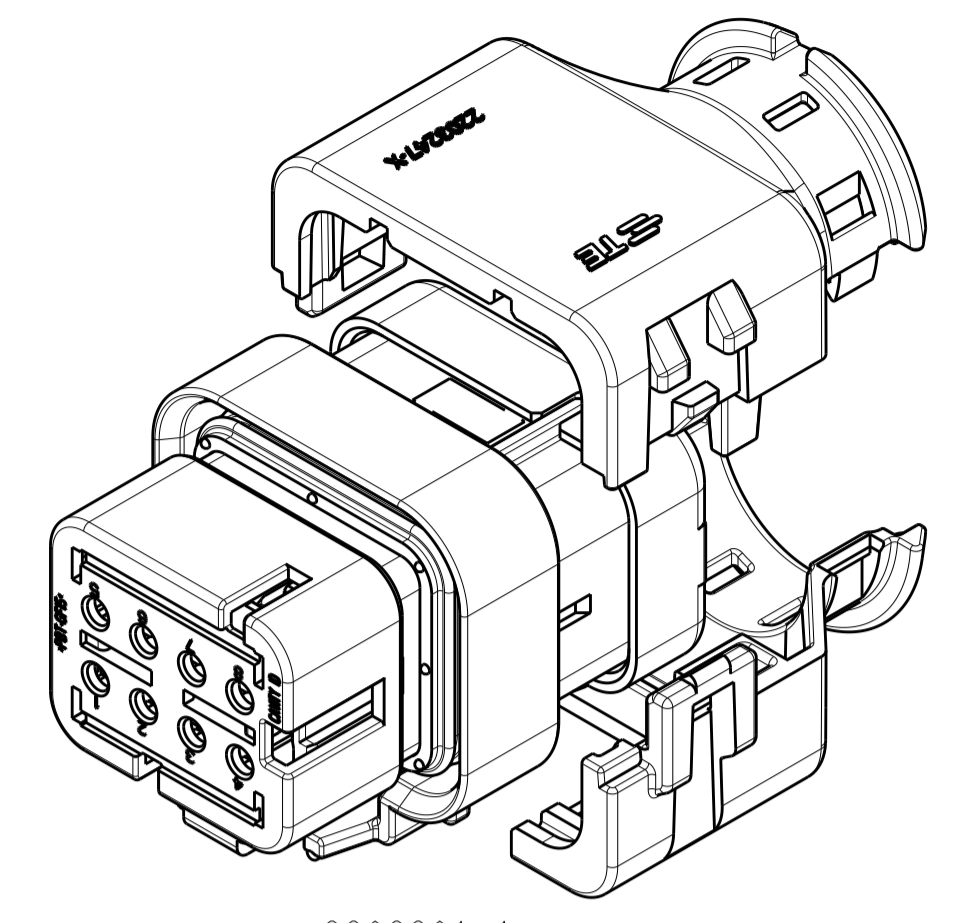
REVISIONS				
P	LTN	DESCRIPTION	DATE	APVD
A		RELEASED PER ECO-15-010501	17JUL2015	JM RB
A1		REV PER ECO-16-008350	02JUN2016	JM RB
A2		REV PER ECO-16-013256	08SEP2016	JM RB



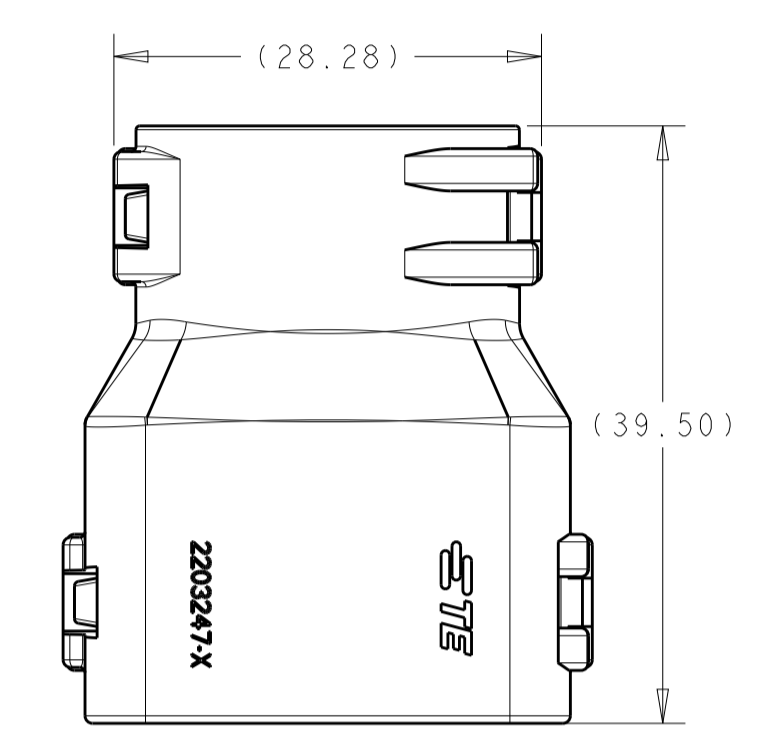
2292801-1
ASSEMBLED ISOMETRIC VIEW SHOWN



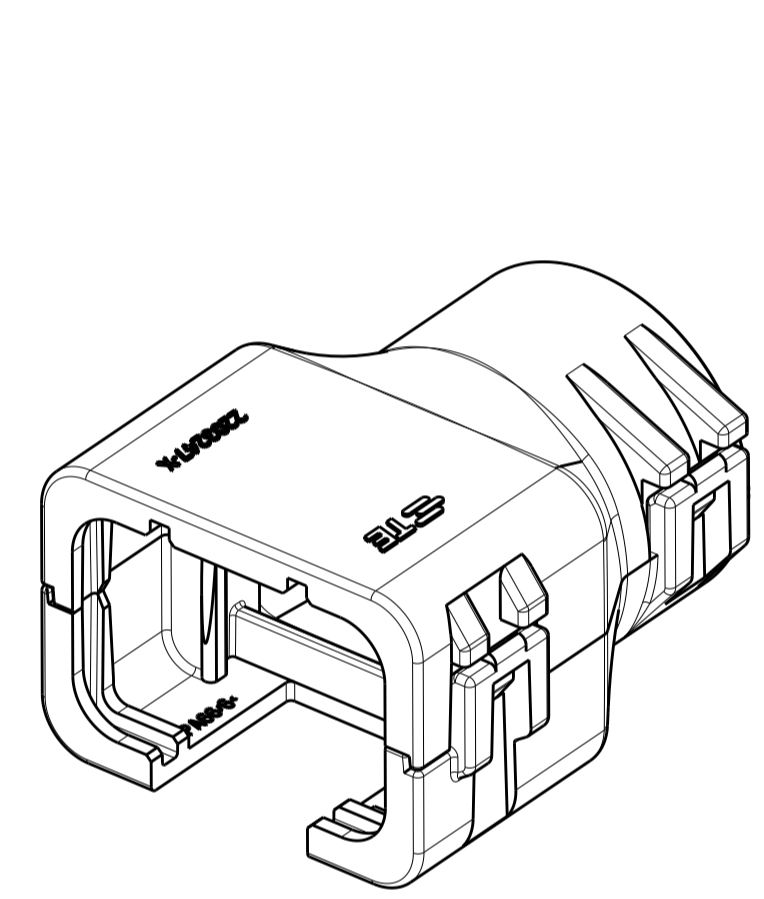
2292801-1
EXPLODED ISOMETRIC VIEW SHOWN



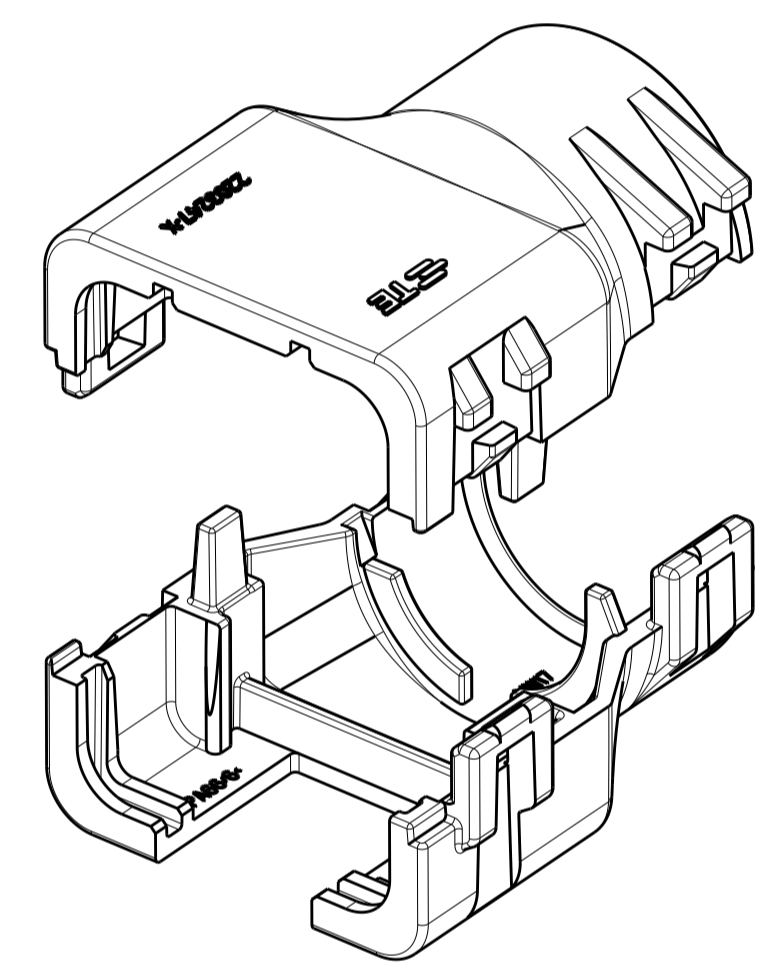
2292801-1
WITH PLUG ASSEMBLY
EXPLODED ISOMETRIC VIEW SHOWN



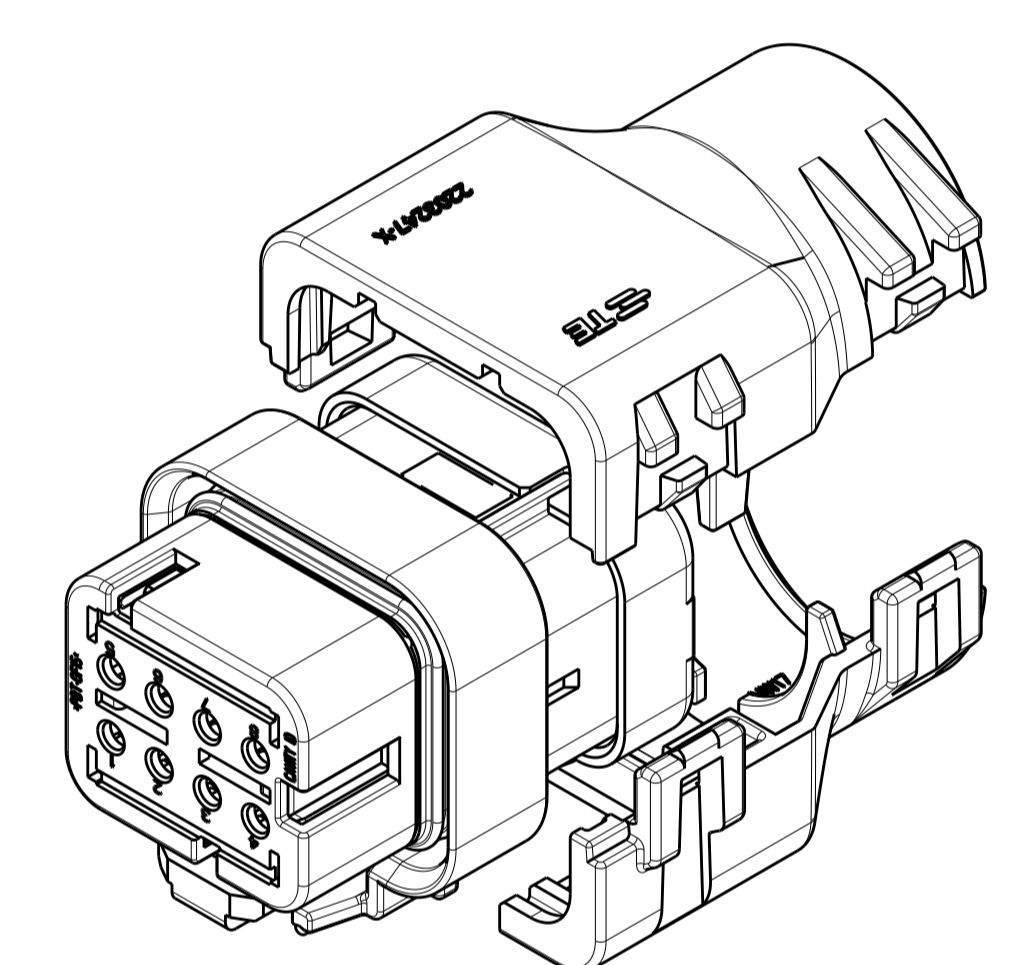
2292801-2
ASSEMBLED VIEW SHOWN
DIMENSIONS SHOWN TYPICAL FOR -2 AND -3 ONLY



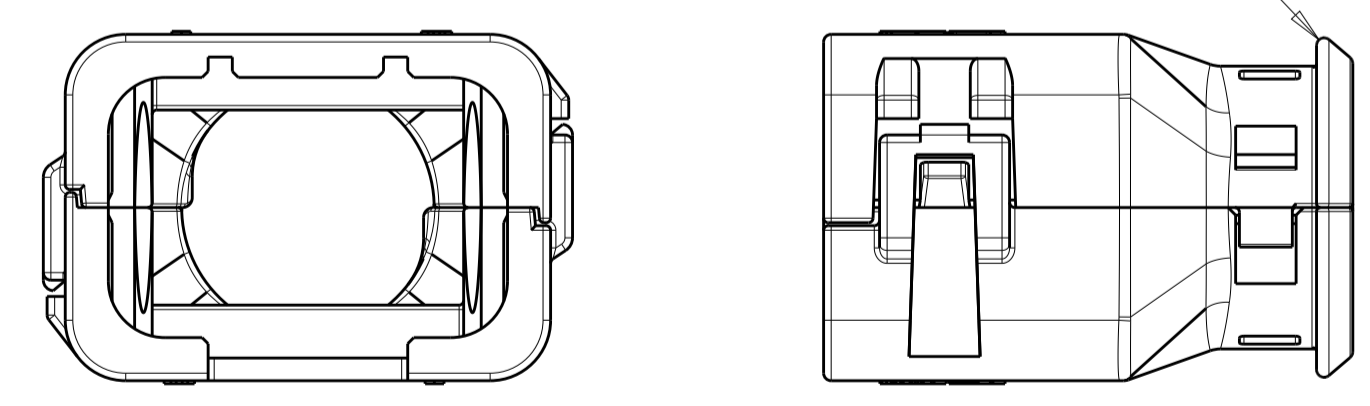
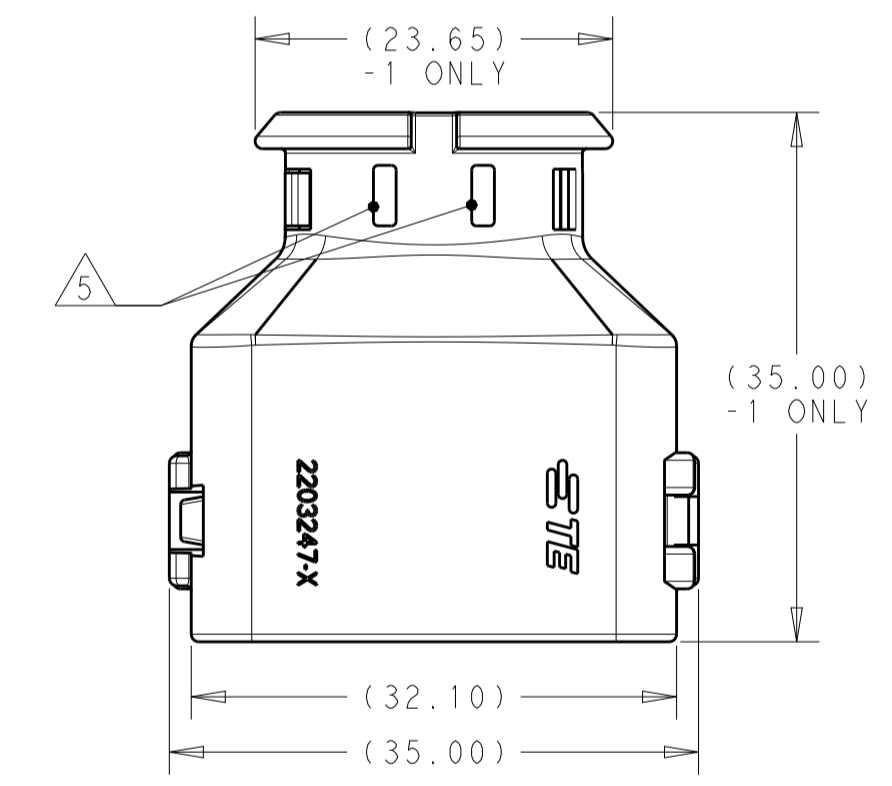
2292801-2
ASSEMBLED ISOMETRIC VIEW SHOWN



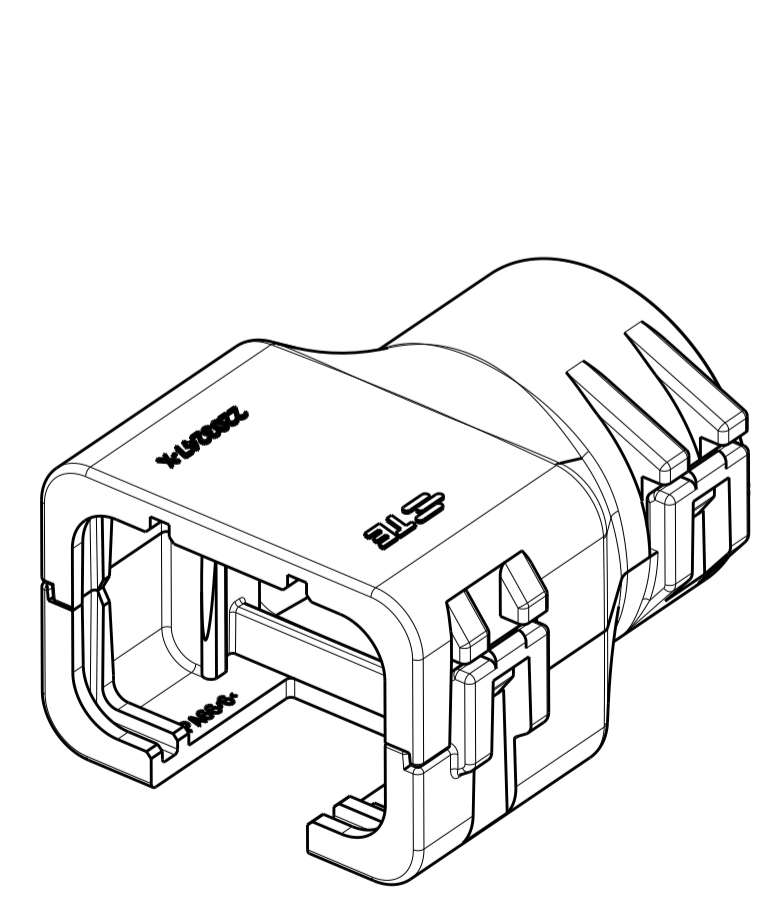
2292801-2
EXPLODED ISOMETRIC VIEW SHOWN



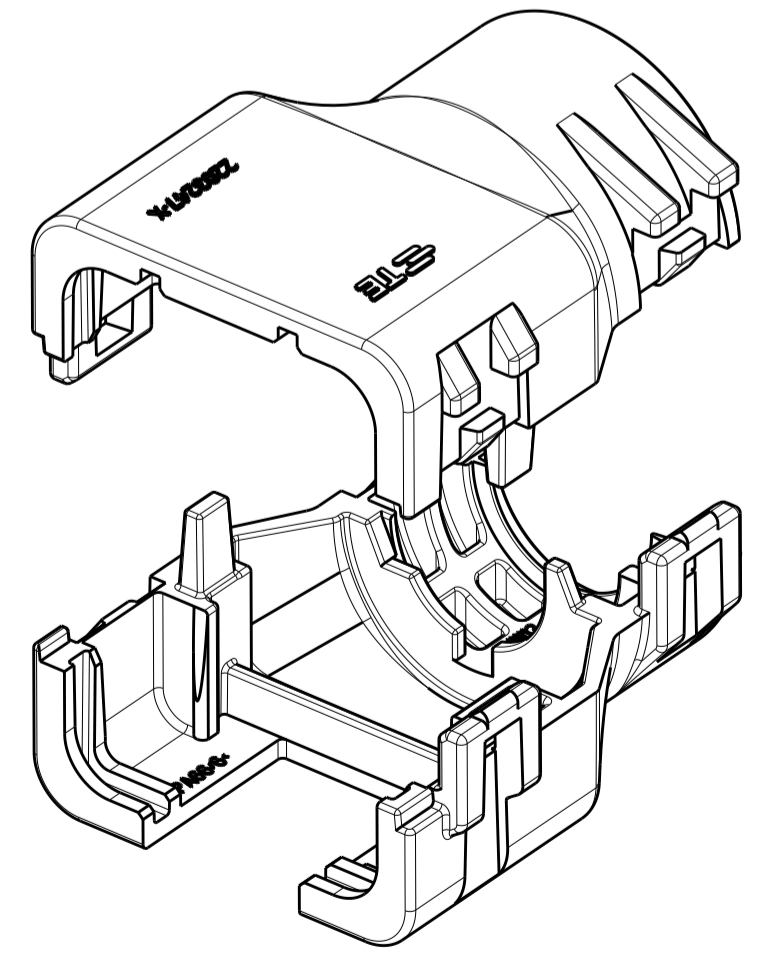
2292801-2
WITH PLUG ASSEMBLY
EXPLODED ISOMETRIC VIEW SHOWN



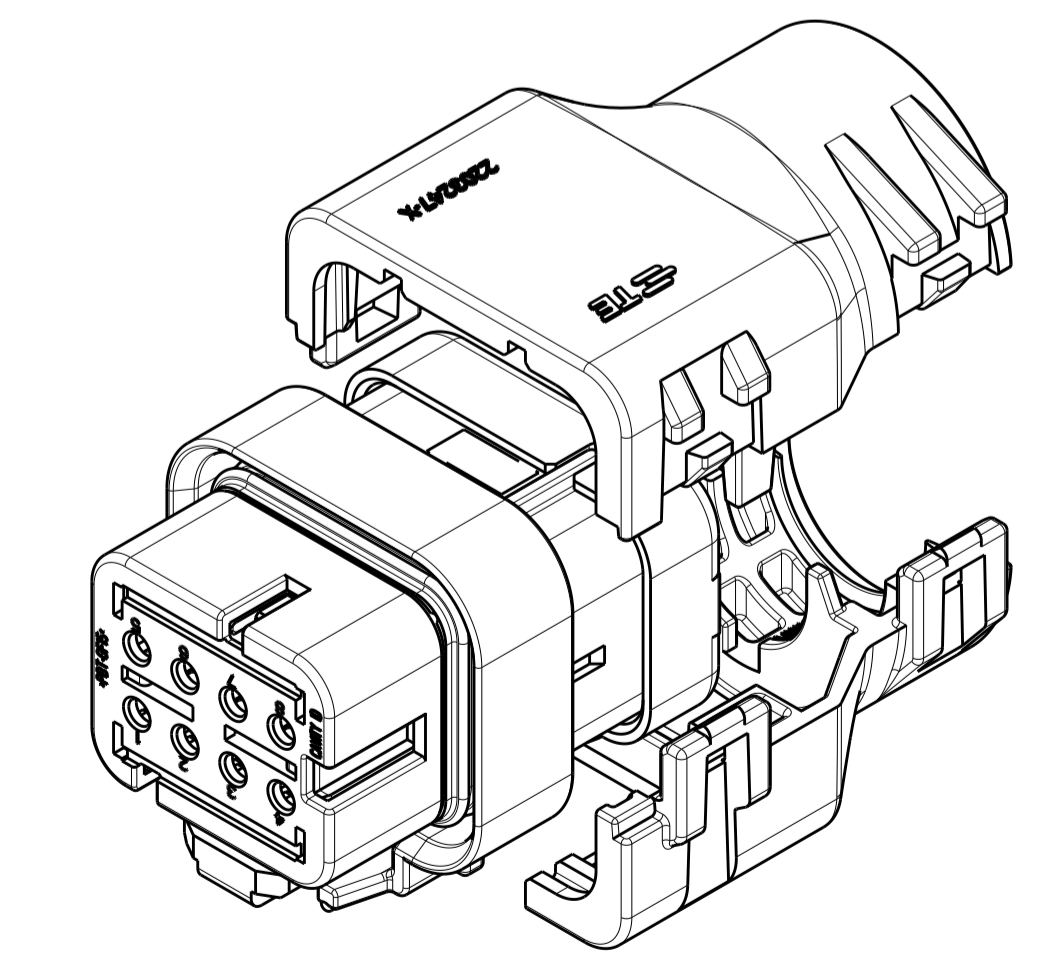
2292801-1
ASSEMBLED VIEW SHOWN
DIMENSIONS SHOWN TYPICAL FOR ALL PART NUMBERS EXCEPT AS NOTED



2292801-3
ASSEMBLED ISOMETRIC VIEW SHOWN



2292801-3
EXPLODED ISOMETRIC VIEW SHOWN



2292801-3
WITH PLUG ASSEMBLY
EXPLODED ISOMETRIC VIEW SHOWN

- 1 MATERIAL: NYLON MOLDING COMPOUND, BLACK, PA66/6.
- 2 BACKSHELL DESIGNED SUCH THAT TWO HALVES ATTACH TO ONE ANOTHER AND CLAMP AROUND THE CONNECTOR COVER.
- 3 DIMENSIONS TO BE MEASURED WHEN BACKSHELLS ASSEMBLED.
- 4 PRODUCT WEIGHTS:
2292801-1: 5.98g ASSEMBLED
2292801-2: 7.66g ASSEMBLED
2292801-3: 8.97g ASSEMBLED
- 5 4mm WIDE SLOTS FOR TIE WRAP TO SECURE HARNESS WIRES (-1 ONLY).
- 6 HEAT SHRINK TUBING RETENTION FEATURE (-1 ONLY).
- 7. INSTRUCTION SHEET: 408-151043.
- 8. CONDUIT PROFILE: NORMAL ONLY.

776494-X	NC16	NW13	2292801-3
776532-X	NC20	NW17	2292801-2
	SMOOTH	SMOOTH	2292801-1
FITS ON PLUG ASSY	CORRGATE NC	CORRGATE NW	PART NUMBER
	CONDUIT SIZE		

THIS DRAWING IS A CONTROLLED DOCUMENT.		DWN J MCNEAL 22JUN2015 CHK R BALTER 22JUN2015 APVD R BALTER 22JUN2015	TE Connectivity
DIMENSIONS: mm [INCHES] TOLERANCES UNLESS OTHERWISE SPECIFIED: 0 PLC ± 1 PLC ± 2 PLC ± 3 PLC ± 4 PLC ± ANGLES ± FINISH ±		NAME BACKSHELL KIT, 8 POSITION PLUG ASSY AMPSEAL 16 PRODUCT SPEC 108-151043 APPLICATION SPEC	
MATERIAL		WEIGHT	RESTRICTED TO
		A 100779	SCALE 2:1 SHEET 1 OF 1 REV A2
CUSTOMER DRAWING		SIZE CAGE CODE DRAWING NO	

单击下面可查看定价，库存，交付和生命周期等信息

[>>TE Connectivity\(泰科\)](#)