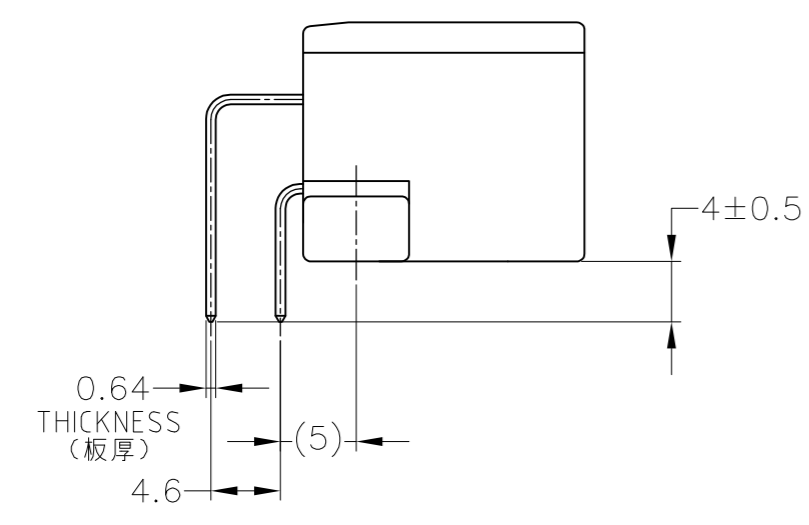
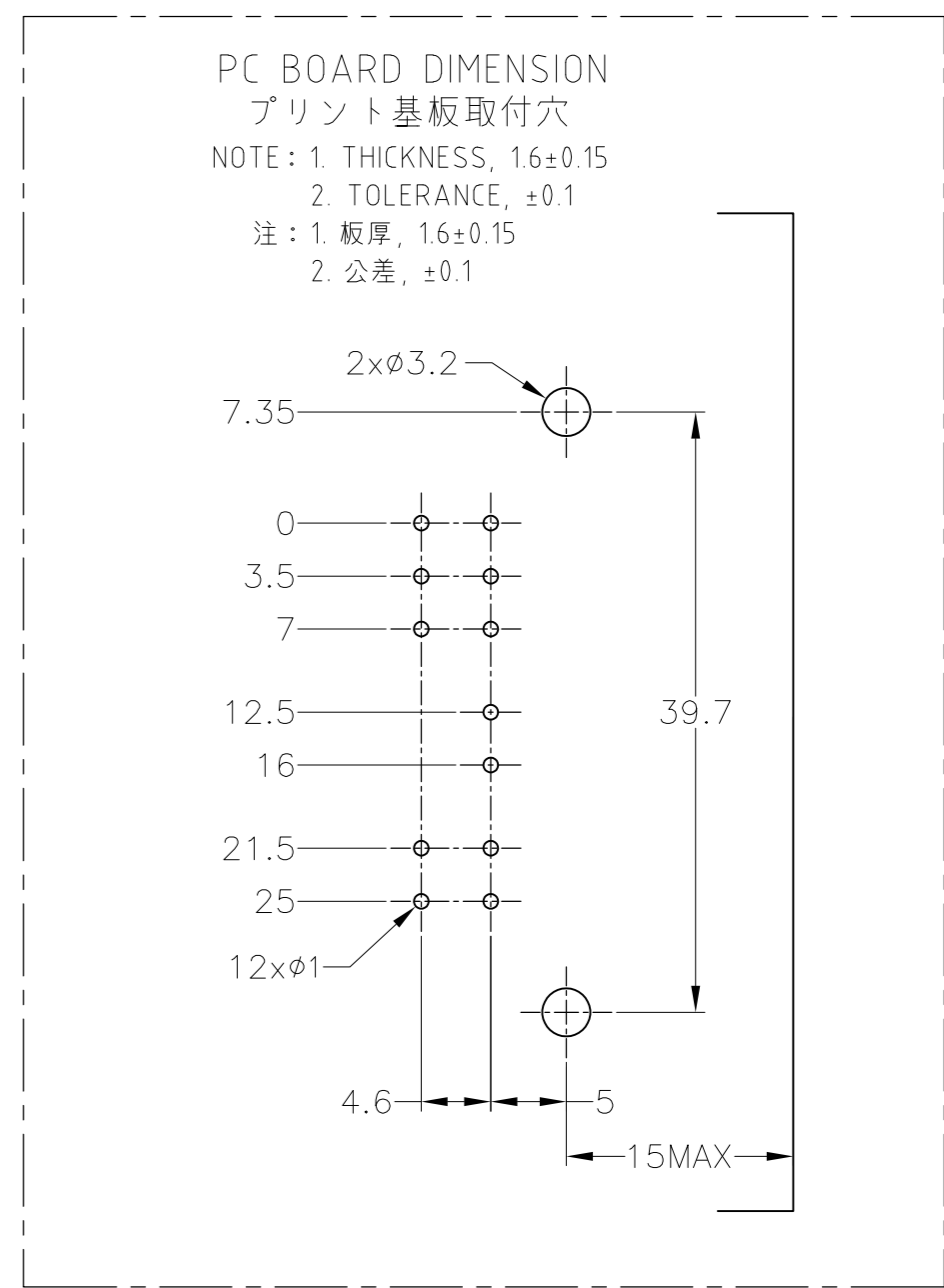
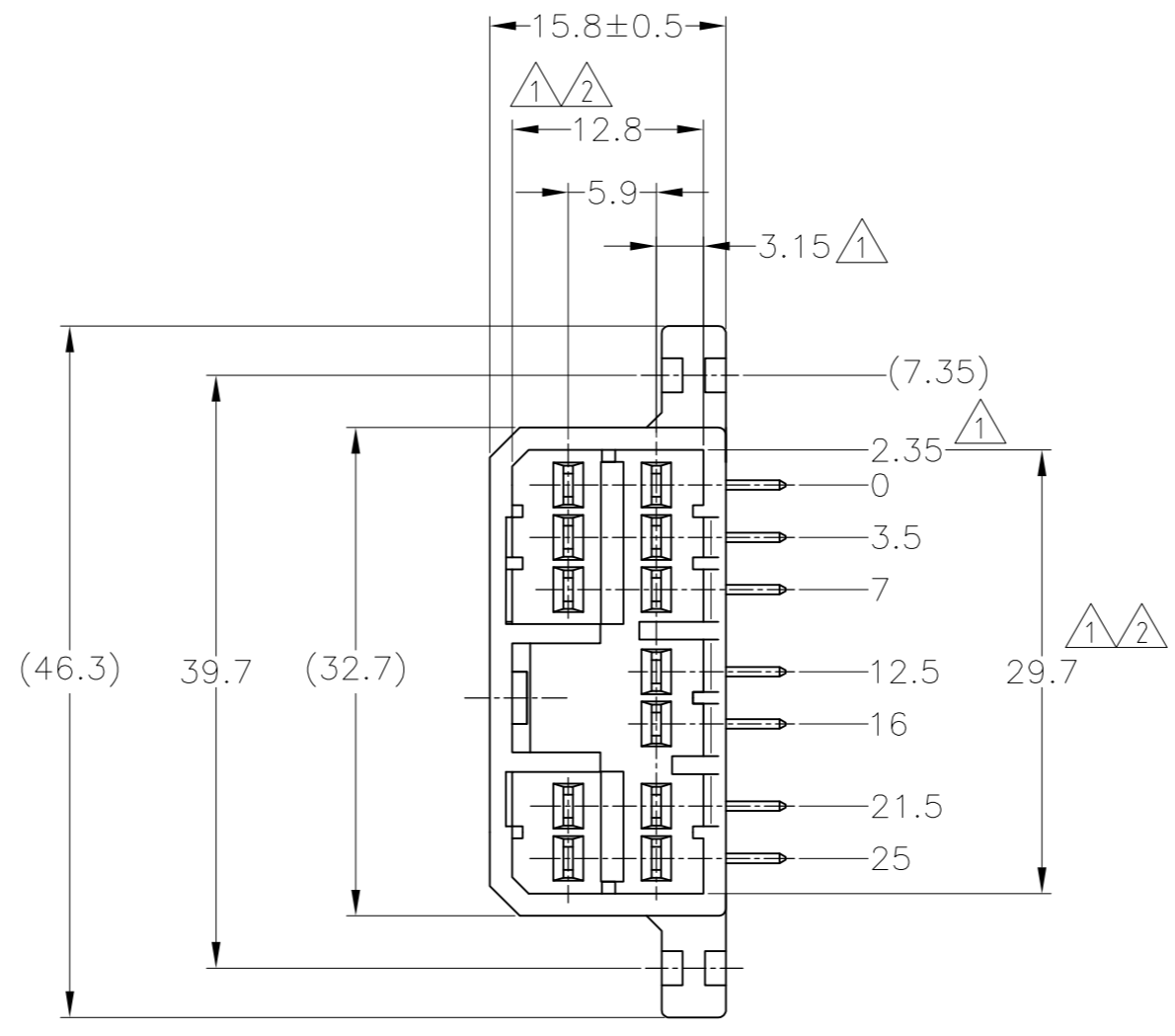
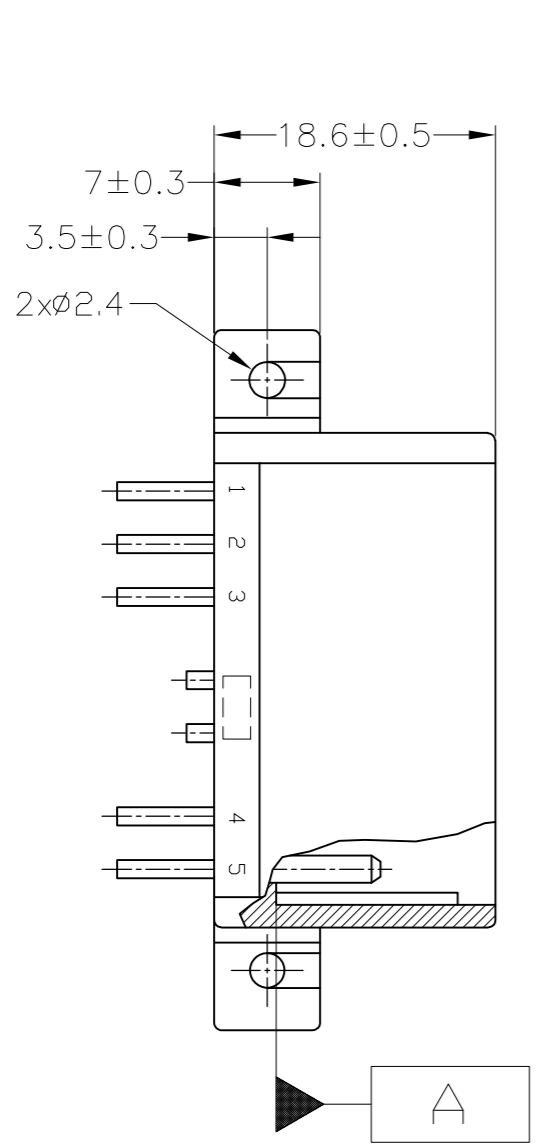


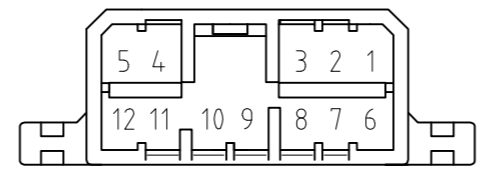
THIS DRAWING IS UNPUBLISHED. RELEASED FOR PUBLICATION
 © COPYRIGHT 2016 By Tyco Electronics Japan G.K. ALL RIGHTS RESERVED.

REVISIONS					
P	LTR	DESCRIPTION	DATE	DWN	APVD
	H6	ADDED -7	28MAY2018	DM	TK



- △ A 面より2mmの範囲で測定。
- △ 相手ハウジングと所定の機能を満足して嵌合できること。
- 3. プリント基板への取付は、JIS B1115又は1122, M3×6ナブ (2種又は4種) のタッピンネジで締付けた後ハンダ付する。(締付けトルク4kg-cm以下)
- △ 回路番号：下図参照のこと。

- △ TO BE MEASURED BETWEEN [A] AND 2.
- △ TO BE MATE WITH PLUG HSG SMOOTHLY.
- 3. TO BE USE M3 TAPPING SCREW JIS B1115 OR 1122 (TYPE 2 OR 4) BEFORE SOLDER.
- △ CIRCUIT NUMBER.



HB	SELECTIVE-TIN (MATTE)	SELECTIVE-TIN (BRT) × 12	-	1~12 (全極)	NATURAL 自然色	173858-7
HB	SELECTIVE-TIN (MATTE)	SELECTIVE GOLD × 12	1~12 (全極)	-	GREEN 緑色	2-5173858-4
HB	SELECTIVE-TIN (MATTE)	SELECTIVE GOLD × 12	1~12 (全極)	-	NATURAL 自然色	2-5173858-1
HB	PRE-TIN × 7		-	1,3,5,6,8,10,12 (7極)	GRAY 灰色	2-173858-6
OBSOLETE	-	SELECTIVE-TIN	PRE-TIN × 12	-	GRAY 灰色	3-173858-2
OBSOLETE	-	SELECTIVE-TIN	PRE-TIN × 12	-	NATURAL 自然色	3-173858-1
OBSOLETE	HB	TIN LEAD	SELECTIVE GOLD × 12	1~12 (全極)	GREEN 緑色	2-173858-4
V-2	PRE-TIN × 12		-	1~12 (全極)	NATURAL 自然色	9-173858-1
HB	PRE-TIN × 12		-	1~12 (全極)	GRAY 灰色	173858-6
OBSOLETE	HB	TIN LEAD	SELECTIVE GOLD × 12	1~12 (全極)	NATURAL 自然色	2-173858-1
HB	PRE-TIN × 12		-	1~12 (全極)	GREEN 緑色	173858-4
HB	PRE-TIN × 12		-	1~12 (全極)	NATURAL 自然色	173858-1
USED MATERIAL	SOLDERING SIDE 半田付け面	CONTACT SIDE 接触部側	GOLD PLATED CIRCUIT NO. 金めっき回路番号	PRE-TIN OR SELECTIVE-TIN 錫めっき回路番号	COLOR 色	PART NUMBER 製品型番

THIS DRAWING IS A CONTROLLED DOCUMENT.

DWN T.SHINOHARA 06FEB07
 CHK K.BETSUI 06FEB07
 APVD K.BETSUI 06FEB07

TE Connectivity

070 SERIES MULTI-LOCK I/O CONNECTOR
 12POSITION CAP HOUSING ASSEMBLY (H-TYPE)

PRODUCT SPEC 製品規格 108-5216
 APPLICATION SPEC 取付適用規格

WEIGHT 7.4 g
 SIZE A2 CAGE CODE 00779 DRAWING NO. 173858
 SCALE 2:1 SHEET 1 OF 1 REV H6

TOLERANCES UNLESS OTHERWISE SPECIFIED. 一般公差

10±	±0.2
30±	±0.25
100±	±0.3
ANGLE	±3°

单击下面可查看定价，库存，交付和生命周期等信息

[>>TE Connectivity\(泰科\)](#)