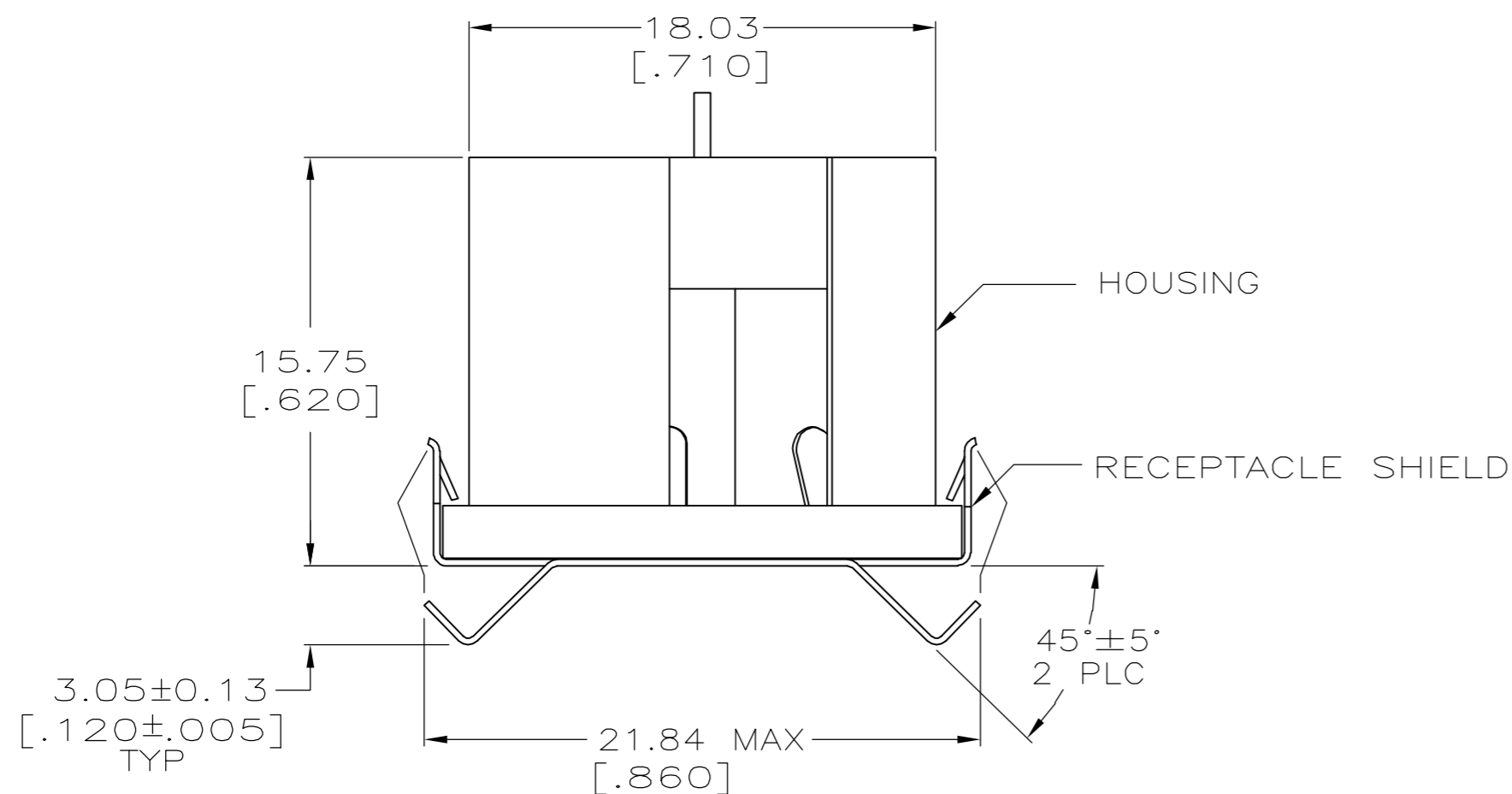
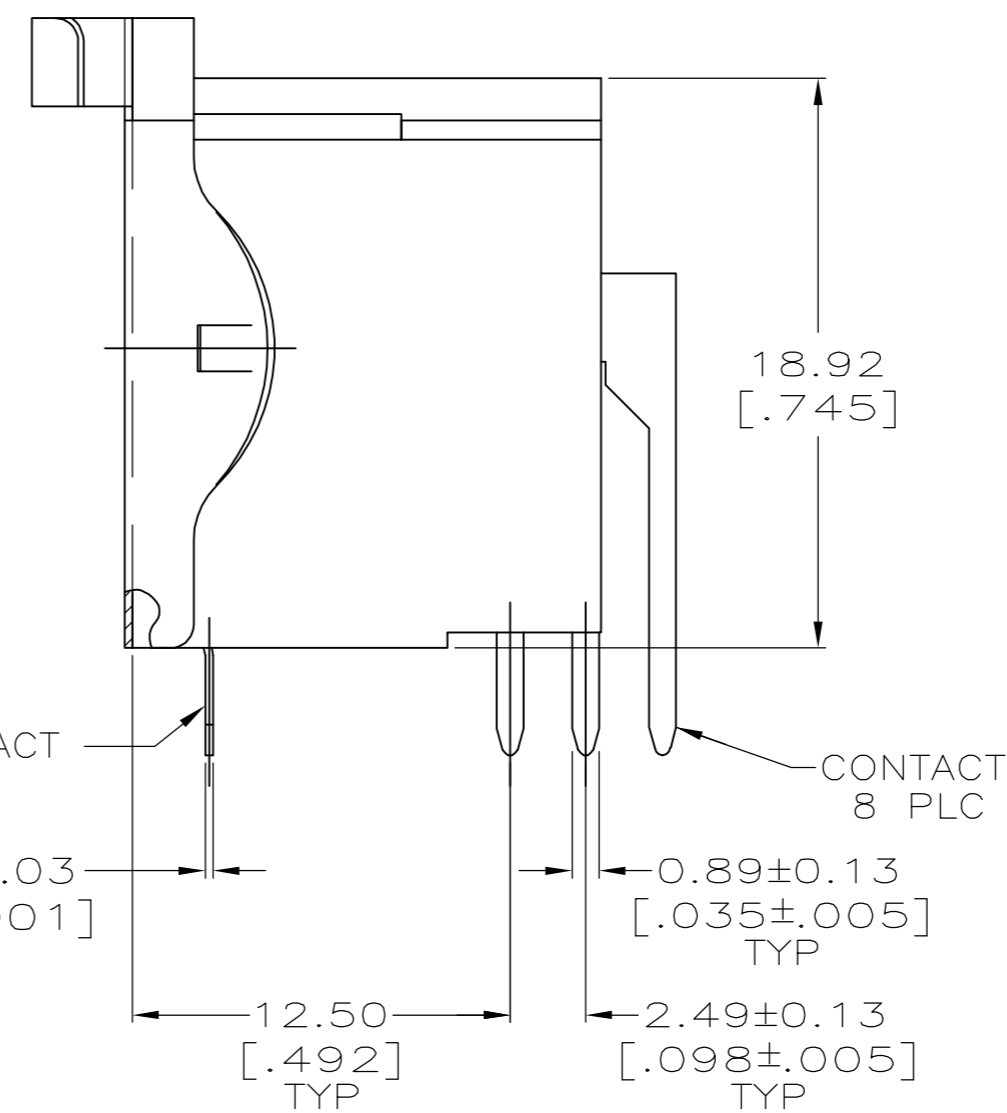
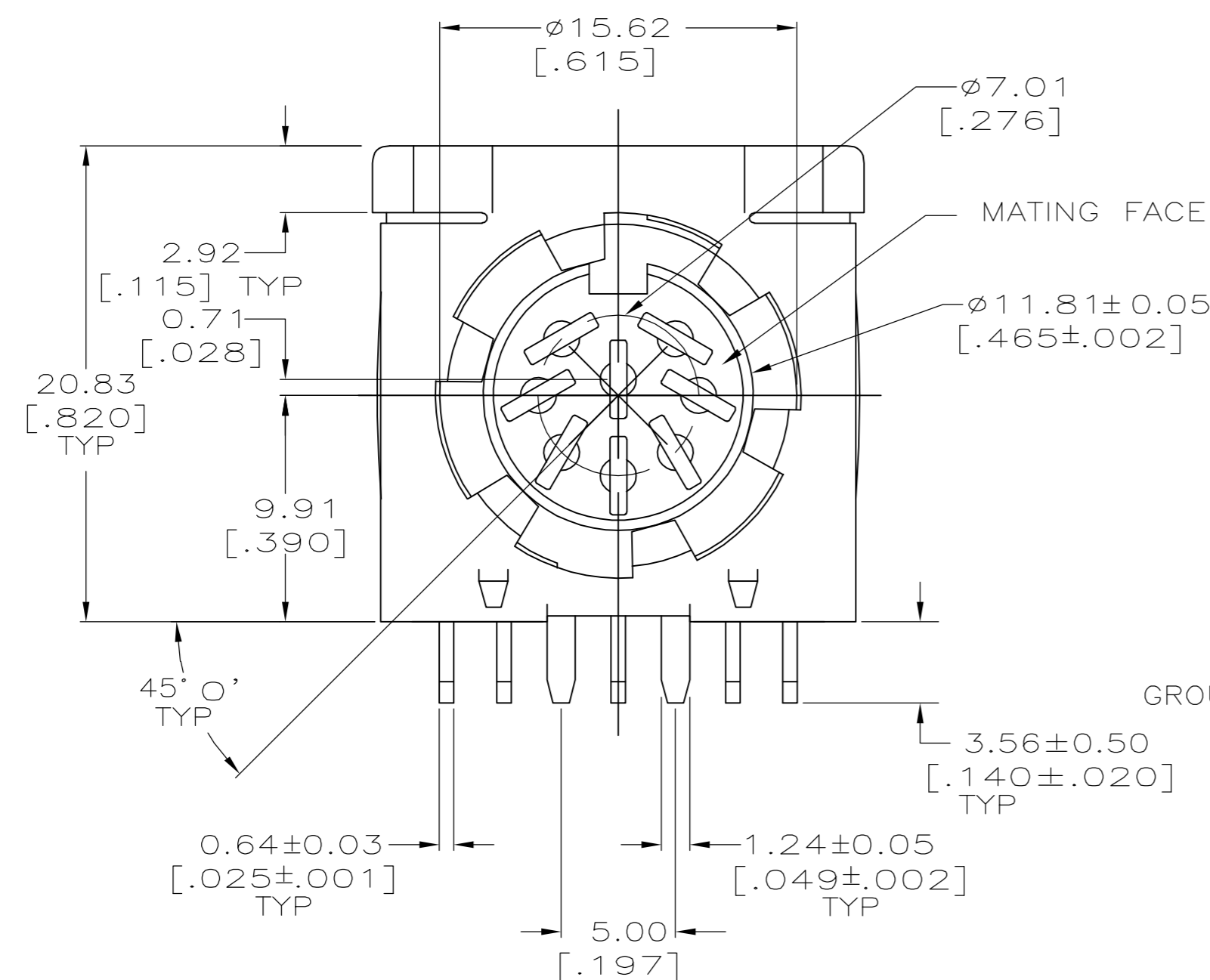


THIS DRAWING IS UNPUBLISHED. RELEASED FOR PUBLICATION
 © COPYRIGHT BY TYCO ELECTRONICS CORPORATION. ALL RIGHTS RESERVED.

LOC		DIST		REVISIONS			
P	LTR	DESCRIPTION	DATE	DWN	APVD		
GP	00						
	01	REVISED PER ECO-07-008008	10APR07	JDP	CWR		



- ① HOUSING: NYLON, UL 94V-0 RATED, BLACK.
- ② CONTACTS & RECEPTACLE SHIELD: 2.54µm [.000100] MIN TIN OVER 1.27µm [.000050] MIN NICKEL.
- ③ CONTACTS & RECEPTACLE SHIELD: BRASS.



5787013-1
PART NO

THIS DRAWING IS A CONTROLLED DOCUMENT.		DWN L. VARELA - DOCK5 11-12-04	Tyco Electronics Corporation Harrisburg, PA 17105-3608	
DIMENSIONS: mm [INCHES]	TOLERANCES UNLESS OTHERWISE SPECIFIED:	CHK C. ROHDE 11-12-04	APVD M. WALMSLEY 11-12-04	NAME RECEPTACLE ASSEMBLY, 8 POSN, RIGHT ANGLE, W/ FRONT PANEL GROUNDING FINGERS, CIRCULAR DIN
	0 PLC ± - 1 PLC ± - 2 PLC ± 0.13 [.005] 3 PLC ± - 4 PLC ± - ANGLES ± 0° 30'	PRODUCT SPEC 108-10047	APPLICATION SPEC 114-40025	SIZE A2
MATERIAL ① ③	FINISH ②	WEIGHT -	SCALE 4:1	RESTRICTED TO -
CUSTOMER DRAWING			CAGE CODE 00779	DRAWING NO 5787013
			SHEET 1 of 1	REV 01

单击下面可查看定价，库存，交付和生命周期等信息

[>>TE Connectivity\(泰科\)](#)