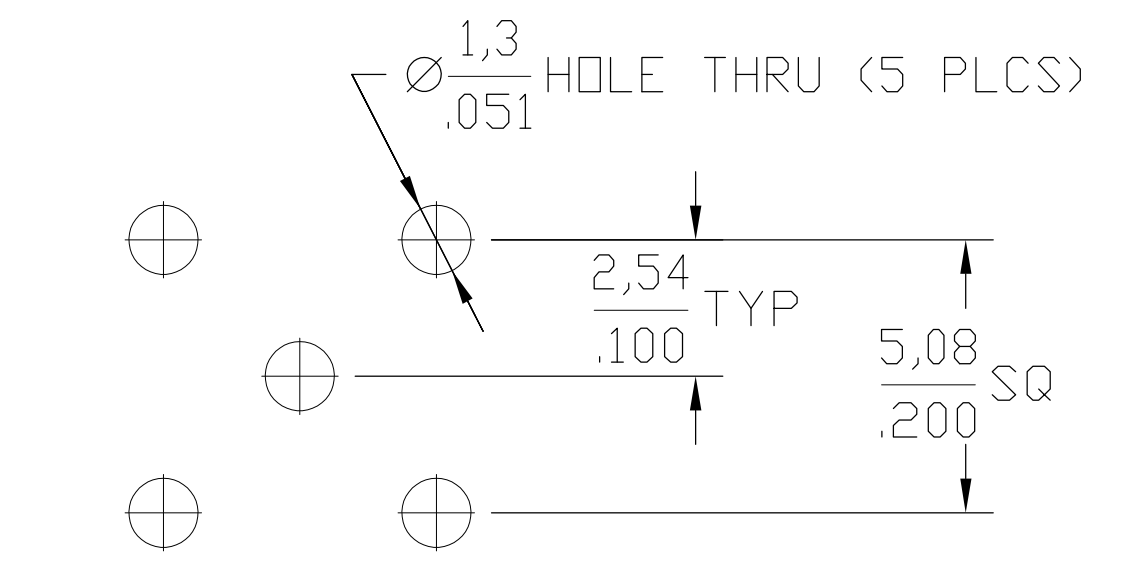
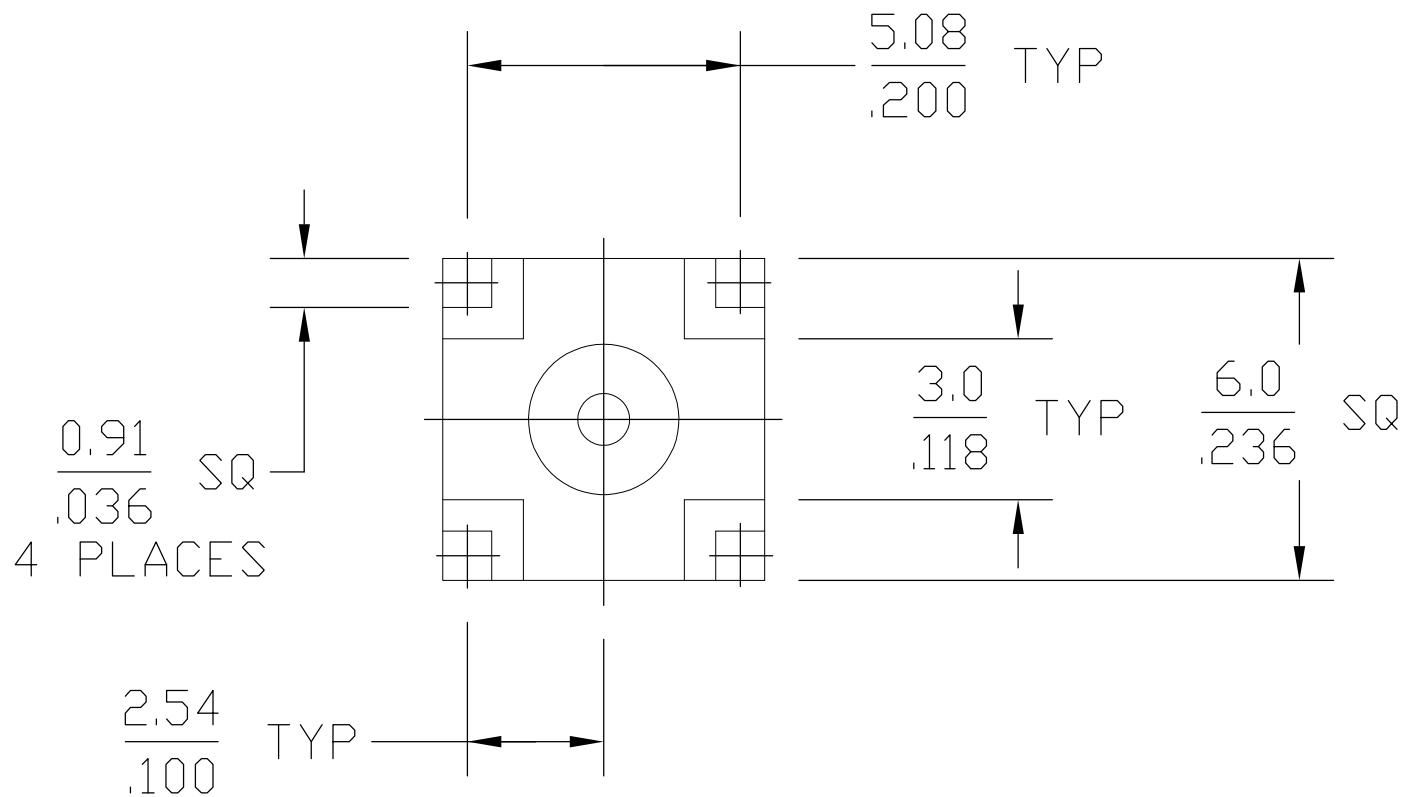
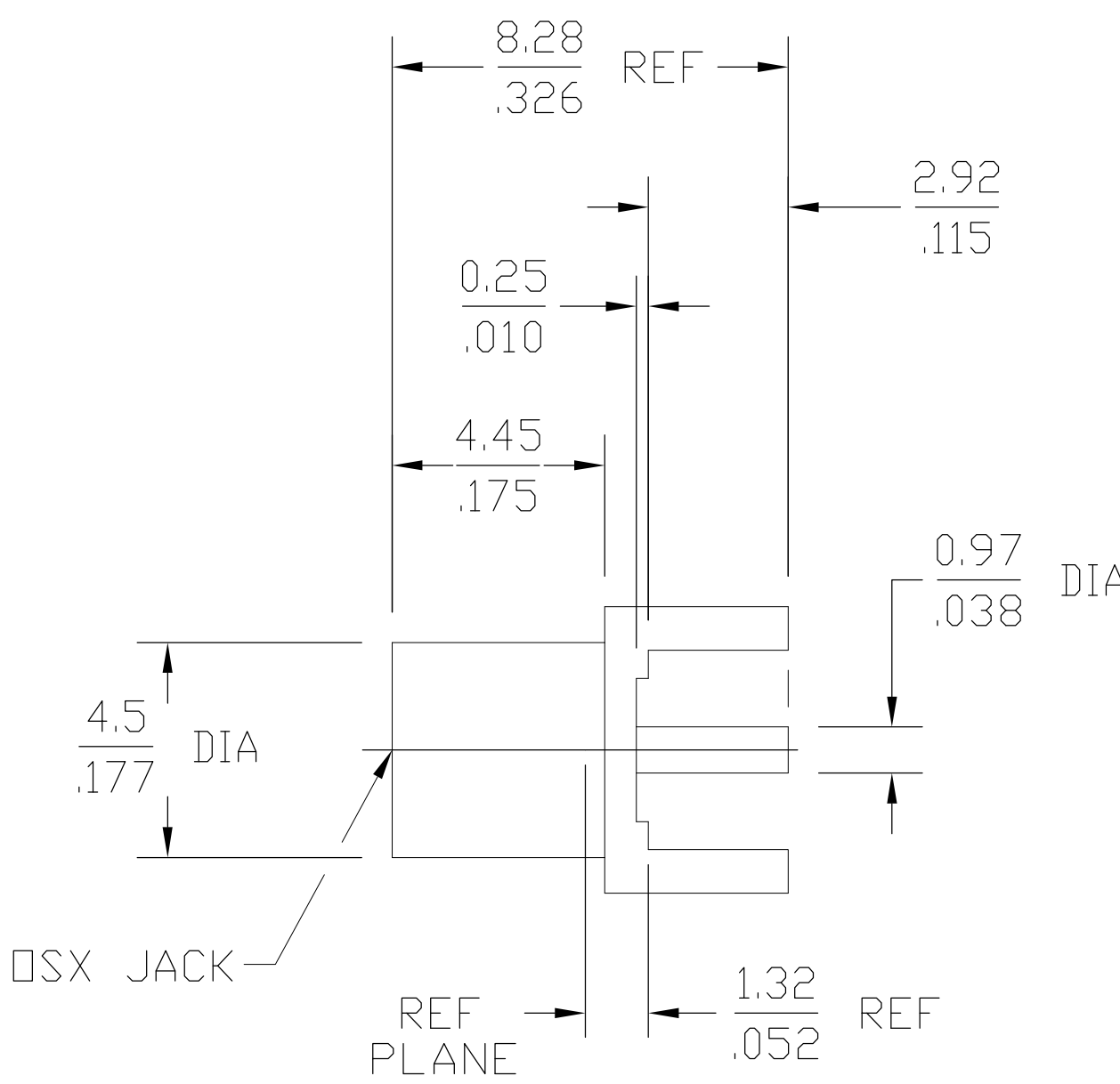


THIS DRAWING IS UNPUBLISHED. RELEASED FOR PUBLICATION
 © COPYRIGHT BY TYCO ELECTRONICS CORPORATION. ALL RIGHTS RESERVED.

LOC	DIST	REVISIONS					
00	AJ	P	LTR	DESCRIPTION	DATE	DWN	APVD
		B		REV PER ECO 07-019611	8/27/2007	DW	JL



RECOMMENDED MOUNTING HOLE PATTERN

CAPTURED CENTER CONTACT

1252294-1
 PART NUMBER

ELECTRICAL Nominal Impedance (Ohms) <u>50</u> Frequency Range (GHz) <u>DC TO 6.0</u> Voltage Rating (VRMS MAX) <u>335 @ Sea level</u> VSWR <u>N/A</u> Insertion Loss <u>N/A</u> Corona, 70,000 Ft (VRMS MIN) <u>250</u> D.W.V. (VRMS MIN) <u>1000</u> Contact Resistance Center Contact (Milliohms MAX) <u>5.0</u> Outer Contact (Milliohms MAX) <u>1.0</u> RF High Potential (VRMS MIN @ 5 MHz) <u>670</u> I.R. (Megohms Min) <u>10,000</u>	MECHANICAL Force to Engage: (Lbs) <u>3.4 MAX</u> Force to Disengage: (Lbs) <u>1.77 MIN - 4.5 MAX</u> Center Contact Captivation: Axial <u>4.5lbs @ 1 minute</u> with <u>.006"</u> displacement XX.XX = mm .XXX = in	ENVIRONMENTAL Temperature Rating <u>-65°C TO +165°C</u> Vibration <u>MIL-STD-202, Method 204,</u> <u>Condition B</u> Thermal shock <u>MIL-STD-202, Method 107,</u> <u>Condition B</u> Moisture Resistance <u>MIL-STD-202, Method 106</u> Corrosion <u>MIL-STD-202,</u> <u>Method 101, Condition B,</u> <u>48 Hrs</u>	HOUSING	BRASS, PER ASTM-B-16 HALF HARD	GOLD PLATE PER MIL-G-45204
			DIELECTRIC	TFE FLUOROCARBON PER ASTM-D-1457	N/A
CENTER CONTACT	BERYLLIUM COPPER PER ASTM B 196, ALLOY C17300, CONDITION H	GOLD PLATE PER MIL-G-45204			
COMPONENT	MATERIAL	FINISH			
THIS DRAWING IS A CONTROLLED DOCUMENT. DIMENSIONS: mm TOLERANCES UNLESS OTHERWISE SPECIFIED: 0 PLC ± - 1 PLC ± - 2 PLC ± .13 3 PLC ± - 4 PLC ± - ANGLES ± ± 1° MATERIAL FINISH		DWN K.C. MAHER 10/18/90 CHK M.Y 10/19/90 APVD D.R.L 10/19/90 PRODUCT SPEC APPLICATION SPEC WEIGHT - CUSTOMER DRAWING	Tyco Electronics Corporation Harrisburg, PA 17105-3608 NAME OSX PRINTED WIRING BOARD JACK RECEPTACLE STARIGHT TREMINAL (5862-5002-10) SIZE A2 CAGE CODE 00779 DRAWING NO. 1252294-1 RESTRICTED TO - SCALE 5:1 SHEET 1 OF 1 REV B		

1252294-1

单击下面可查看定价，库存，交付和生命周期等信息

[>>TE Connectivity\(泰科\)](#)