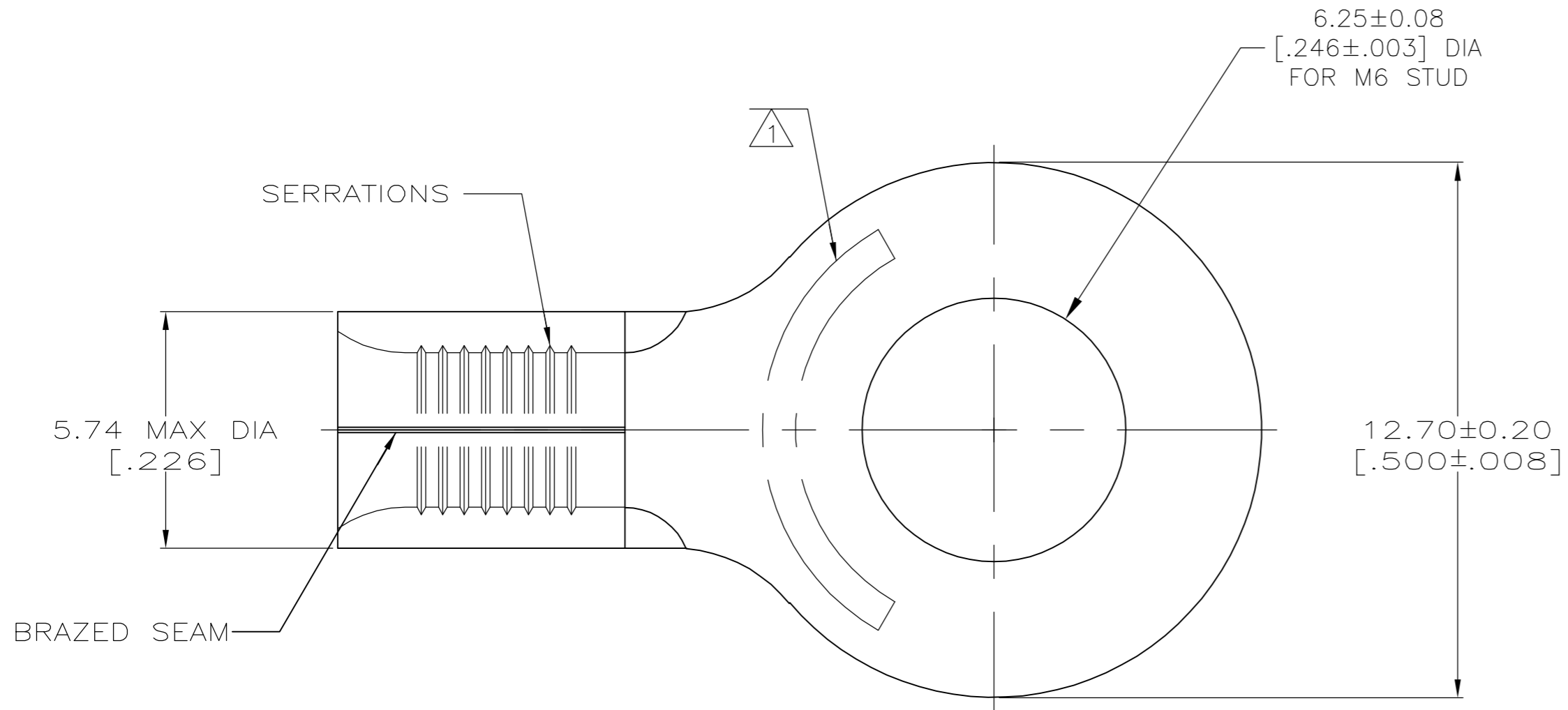


THIS DRAWING IS UNPUBLISHED. RELEASED FOR PUBLICATION
 © COPYRIGHT BY TYCO ELECTRONICS CORPORATION. ALL RIGHTS RESERVED.

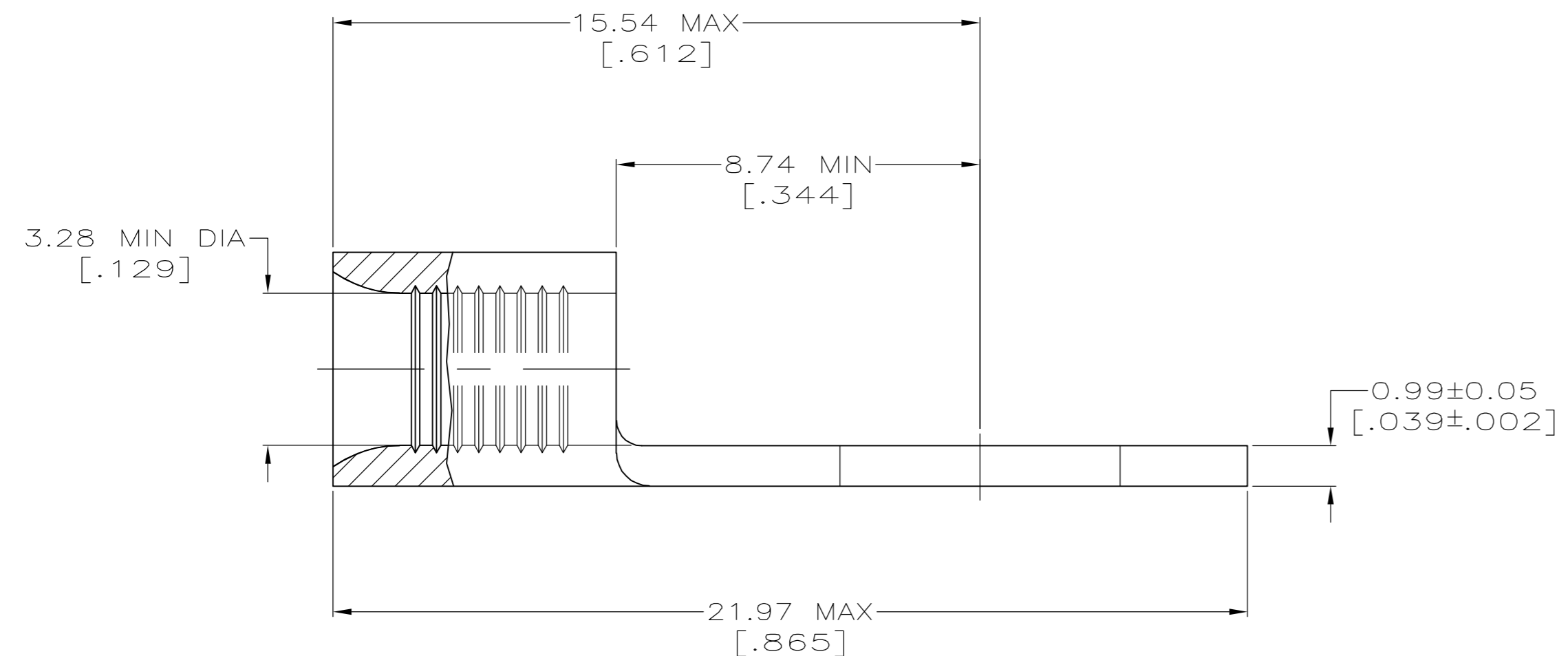
LOC	DIST	REVISIONS			DAP		
		P	LTR	DESCRIPTION	DATE	DWN	APVD
G	14	A		DRAWN	13MAR06	JR	TM



AMP
WIRE RANGE

12-10 AWG
SOLID OR STRANDED

- 1 STAMP AMP 12-10* APPROX AS SHOWN
- 2 MATERIAL: COPPER PER ASTM B-152, ANNEALED
- 3 TIN PLATE 0.00254 [.000100] MIN THK PER ASTM B-545.



AMP INCORPORATED CUSTOMER SERVICE SYSTEMS		MAX RECOMMENDED OPERATING TEMPERATURE: 170°C
FOR ADDITIONAL PRODUCT INFORMATION OR COPIES OF DRAWINGS AND TECHNICAL DOCUMENTS	PRODUCT INFORMATION CENTER 1-800-522-6752	VOLTAGE RATING: N/A
FOR APPLICATION TOOLING INFORMATION	TOOLING ASSISTANCE CENTER 1-800-722-1111	CIRCULAR MIL AREA: 2.62-6.64mm² [5,180-13,100] SOLID OR STRANDED
FOR ORDER ENTRY	1-800-526-5142	THIS DRAWING IS A CONTROLLED DOCUMENT FOR AMP INCORPORATED. IT IS SUBJECT TO CHANGE AND THE CONTROLLING ENGINEERING ORGANIZATION SHOULD BE CONTACTED FOR THE LATEST REVISION.

3	500	LOOSE PIECE	165026
FINISH	QTY	PACKAGE TYPE	PART NO.
THIS DRAWING IS A CONTROLLED DOCUMENT.		DWN JR RUTH 13MAR06	
DIMENSIONS: INCHES		CHK T MICHIELUTTI 13MAR06	
TOLERANCES UNLESS OTHERWISE SPECIFIED:		APVD T MICHIELUTTI 13MAR06	
0 PLC ± -		NAME	
1 PLC ± -		TycO Electronics Tyco Electronics Corporation	
2 PLC ± -		Harrisburg, Pa 17105-3608	
3 PLC ± -		PRODUCT SPEC	
4 PLC ± -		TERMINAL, RING	
ANGLES ± -		TONGUE, SOLISTRAND	
MATERIAL	FINISH	SIZE	CAGE CODE
- 2	SEE TABLE	A2	00779
CUSTOMER DRAWING		DRAWING NO	RESTRICTED TO
		C=165026	-
		SCALE	SHEET
		8:1	1 OF 1
		REV	A

165026

单击下面可查看定价，库存，交付和生命周期等信息

[>>TE Connectivity\(泰科\)](#)