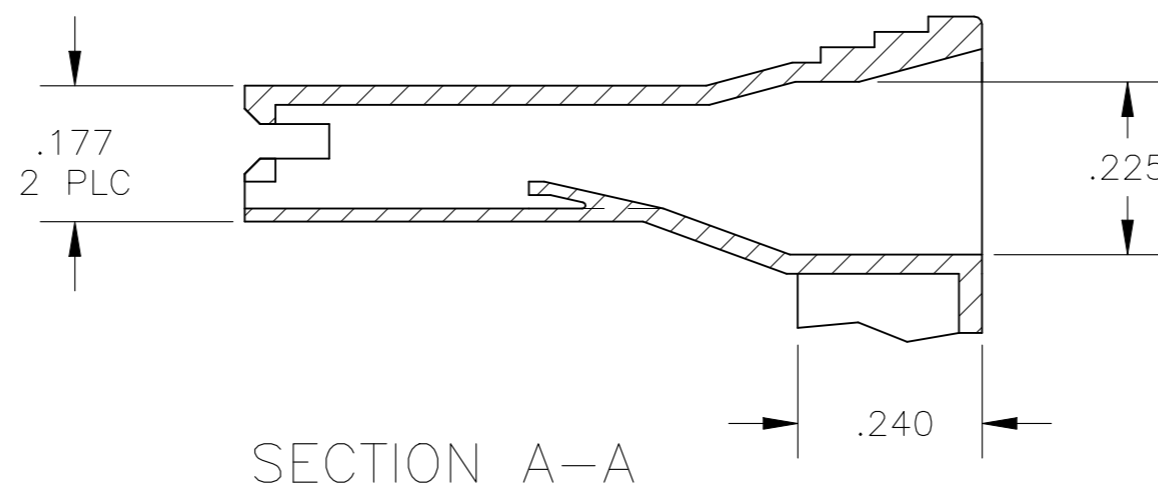
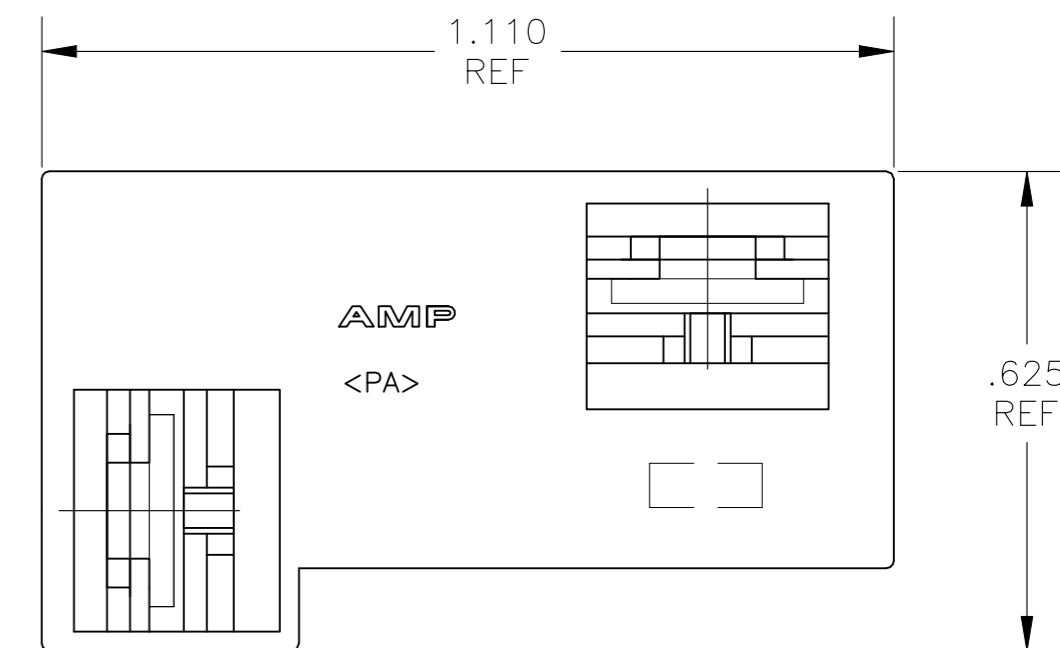
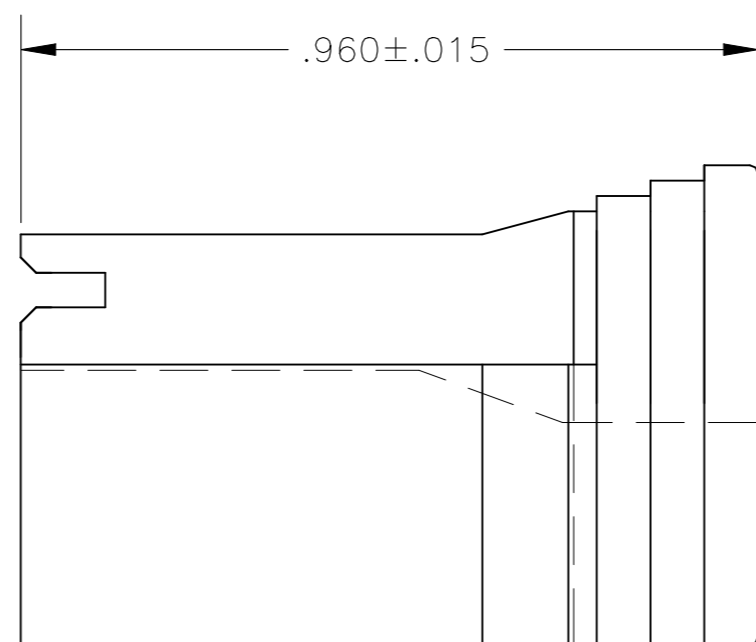
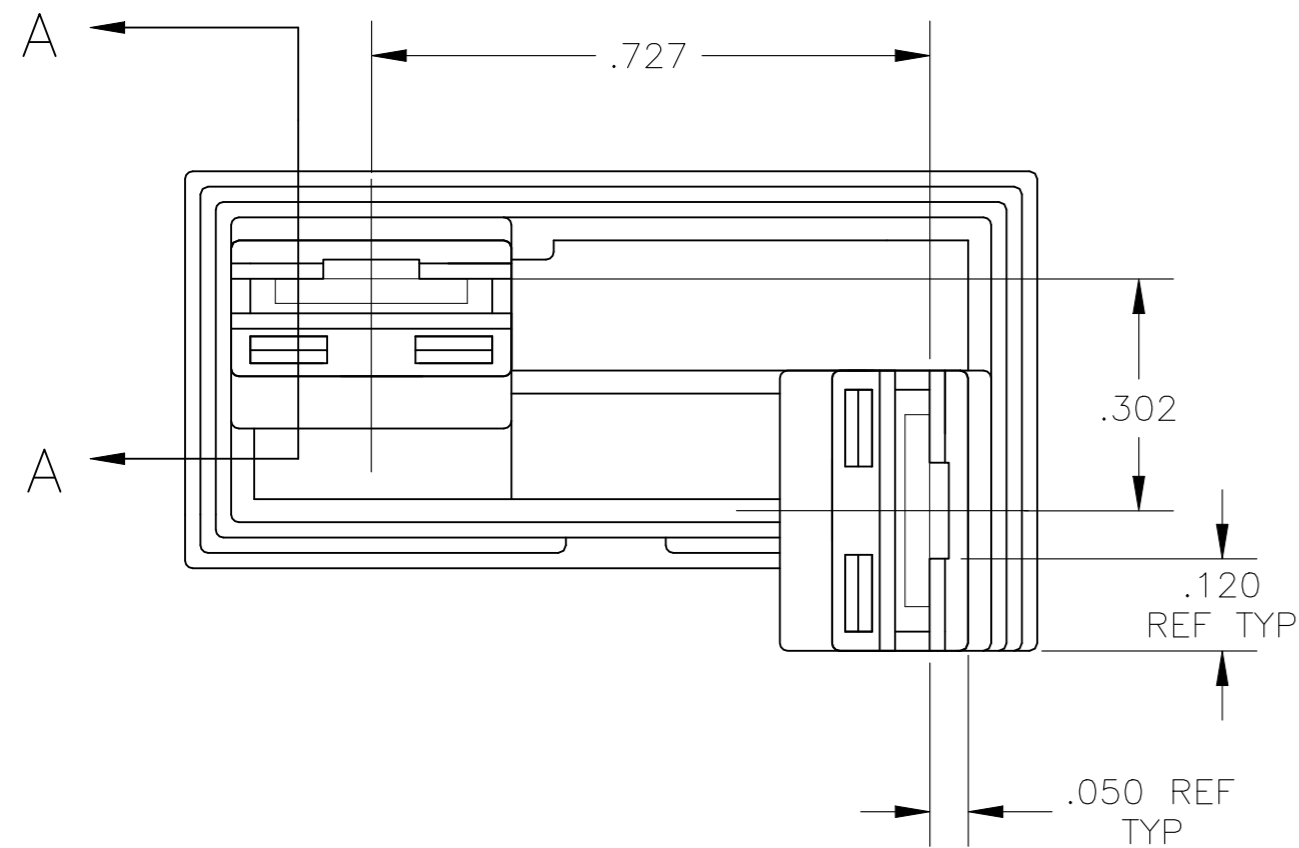
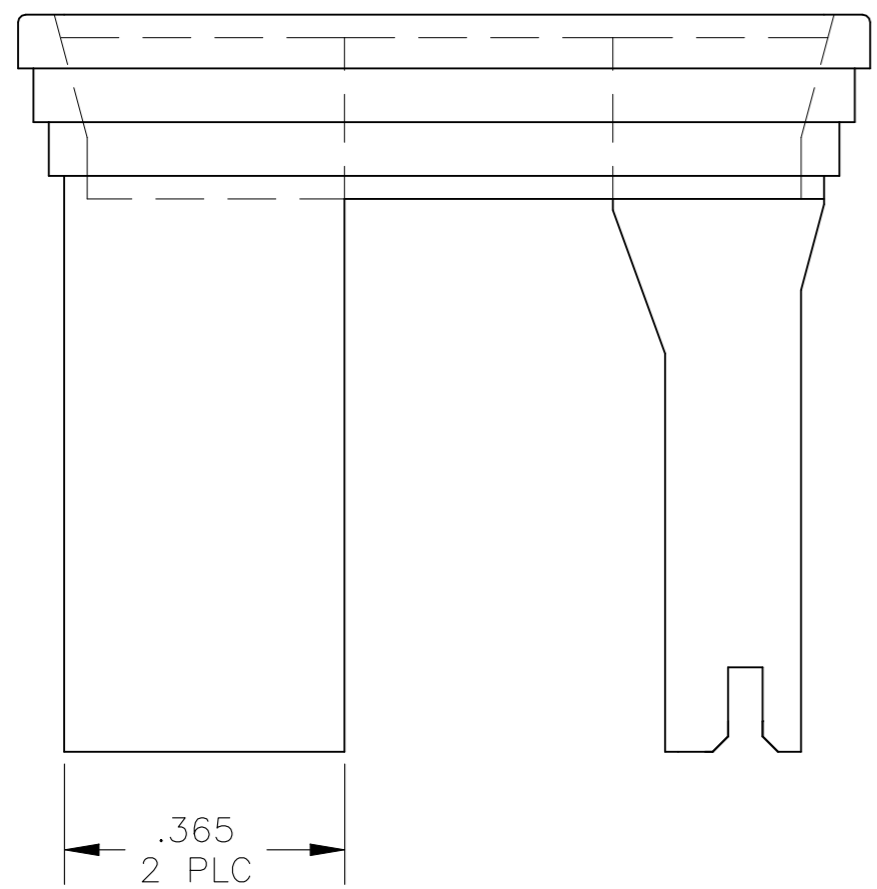


THIS DRAWING IS UNPUBLISHED. RELEASED FOR PUBLICATION
 © COPYRIGHT - By - ALL RIGHTS RESERVED.

REVISIONS					
P	LTR	DESCRIPTION	DATE	DWN	APVD
E		REVISED PER ECR-21-113196	30SEP2021	BDA	DS



- 1 ACCEPTS .250 SERIES FASTON RECEPTACLE 63435-1 OR 63306-1.
- 2 FOR PROPER MATING, THE MATING TAB MUST BE A MIN. OF .375 LONG.
- 3 MATING TAB CENTERLINES MUST BE VERIFIED BY CUSTOMER.
- △ 4 MATERIAL: POLYIMIDE UL94, V2. ACCORDING TO IEC 60355-1, GLOW WIRE.
- △ 5 PRELIMINARY - NOT FOR PRODUCTION.
- △ 6 PA6, UL94 V0 AND HIGH TEMPERATURE VERSION 150C
- △ 7 OBSOLETE PARTS

△ 7 SUPERSEDED

NATURAL	66 NYLON V0/HAL NATURAL	△ 5 3-521785-1
NATURAL	66 NYLON V0/NO HAL NATURAL	△ 5 2-521785-1
NATURAL	66 NYLON V0 NATURAL GW	1-521785-1
BLACK	6 NYLON, V0	521785-4
NATURAL	△ 6	521785-3
NATURAL	△ 4	△ 5 521785-2
NATURAL	66 NYLON, V0	-521785-1
COLOR	MATERIAL	PART NO

THIS DRAWING IS A CONTROLLED DOCUMENT.		DWN jr ruth 09FEB05	TE Connectivity Ltd.	
DIMENSIONS: INCHES		CHK P DESANTIS 09FEB05		
TOLERANCES UNLESS OTHERWISE SPECIFIED:		APVD P DESANTIS 09FEB05	NAME HOUSING, RECEPTACLE, FASTON, 2 POSITION, .250 SERIES	
0 PLC ± - 1 PLC ± - 2 PLC ± - 3 PLC ± .010 4 PLC ± - ANGLES ± 5°		PRODUCT SPEC	DRAWING NO A2 00779 C=521785	
MATERIAL SEE TABLE		APPLICATION SPEC	RESTRICTED TO	
FINISH COLOR - SEE TABLE		WEIGHT	SCALE 4:1 SHEET 1 OF 1 REV E	
		CUSTOMER DRAWING		

单击下面可查看定价，库存，交付和生命周期等信息

[>>TE Connectivity\(泰科\)](#)