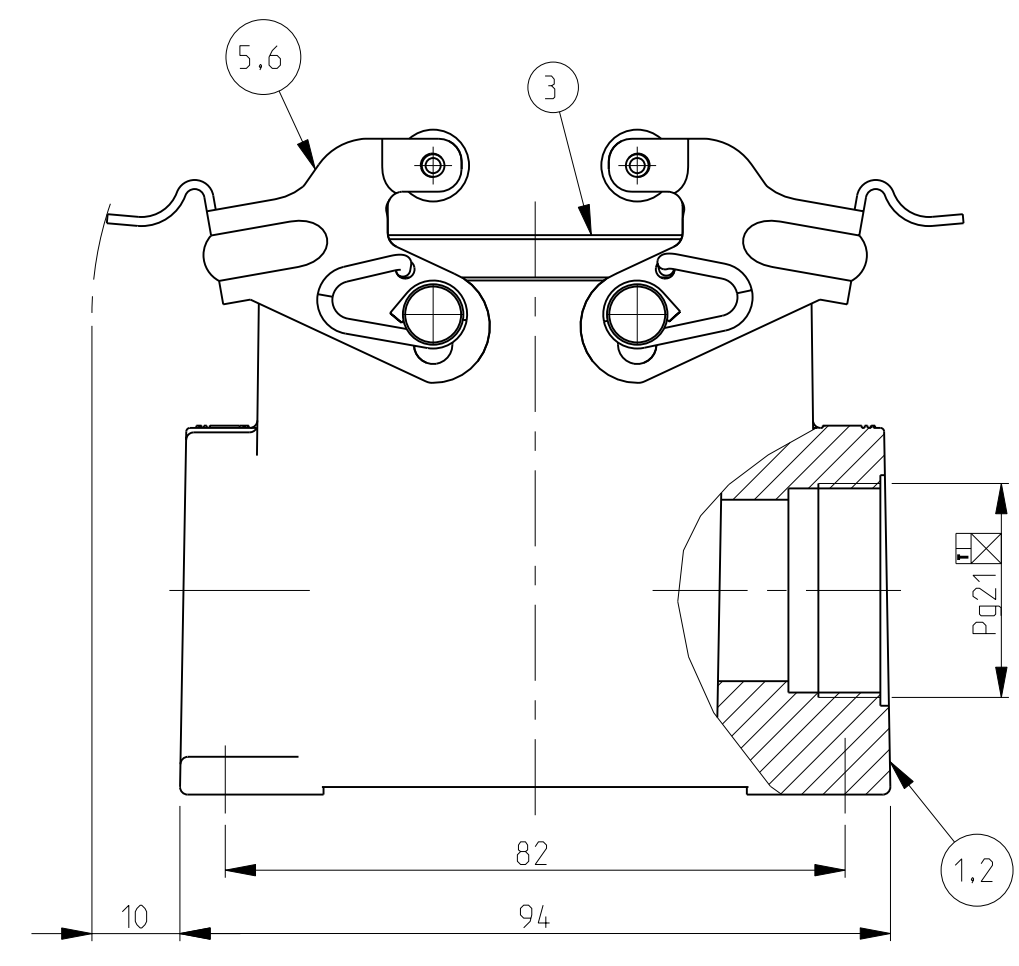
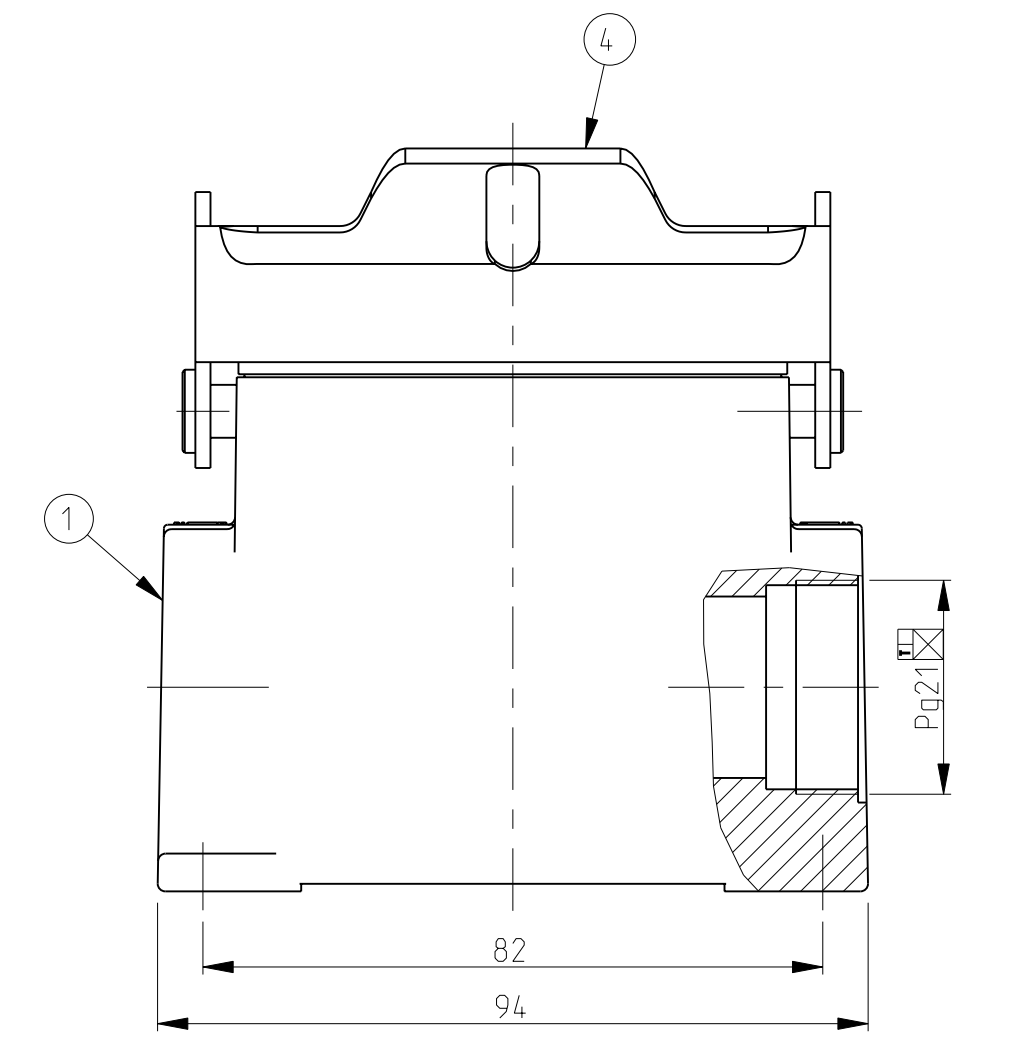
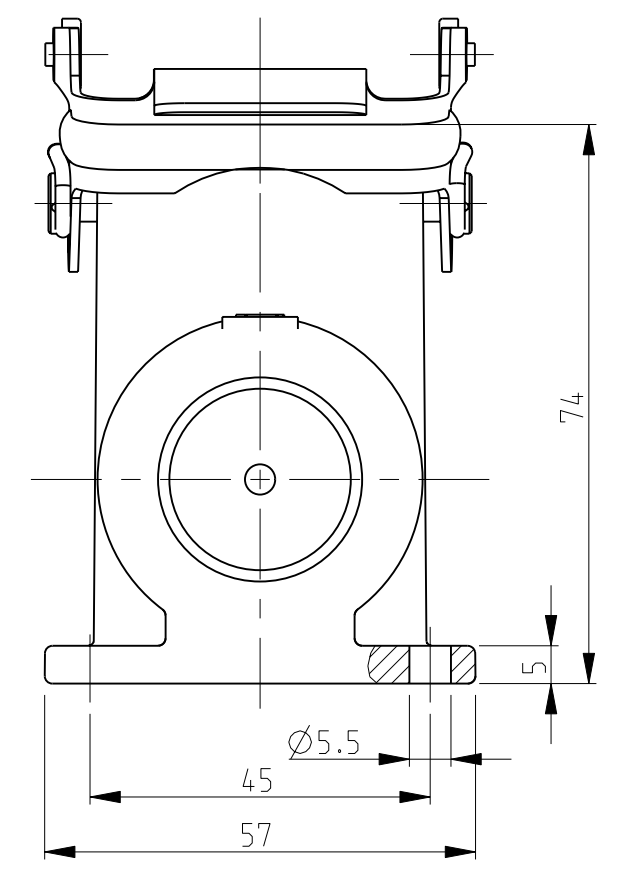


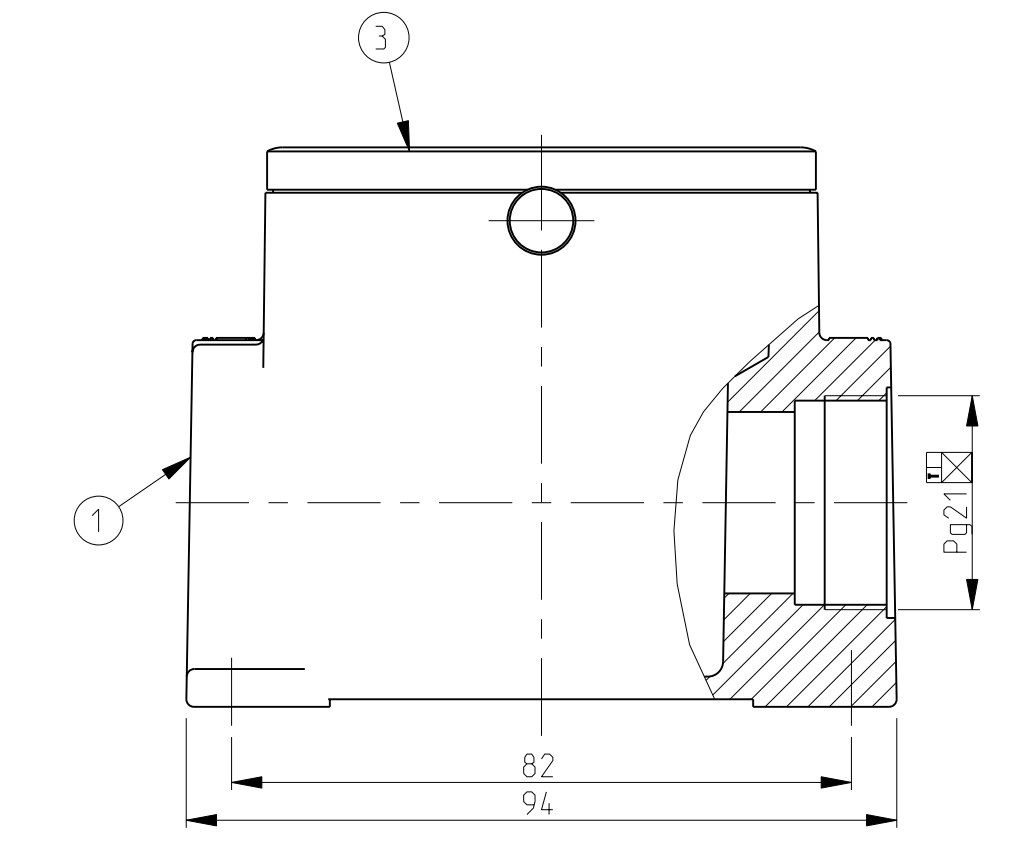
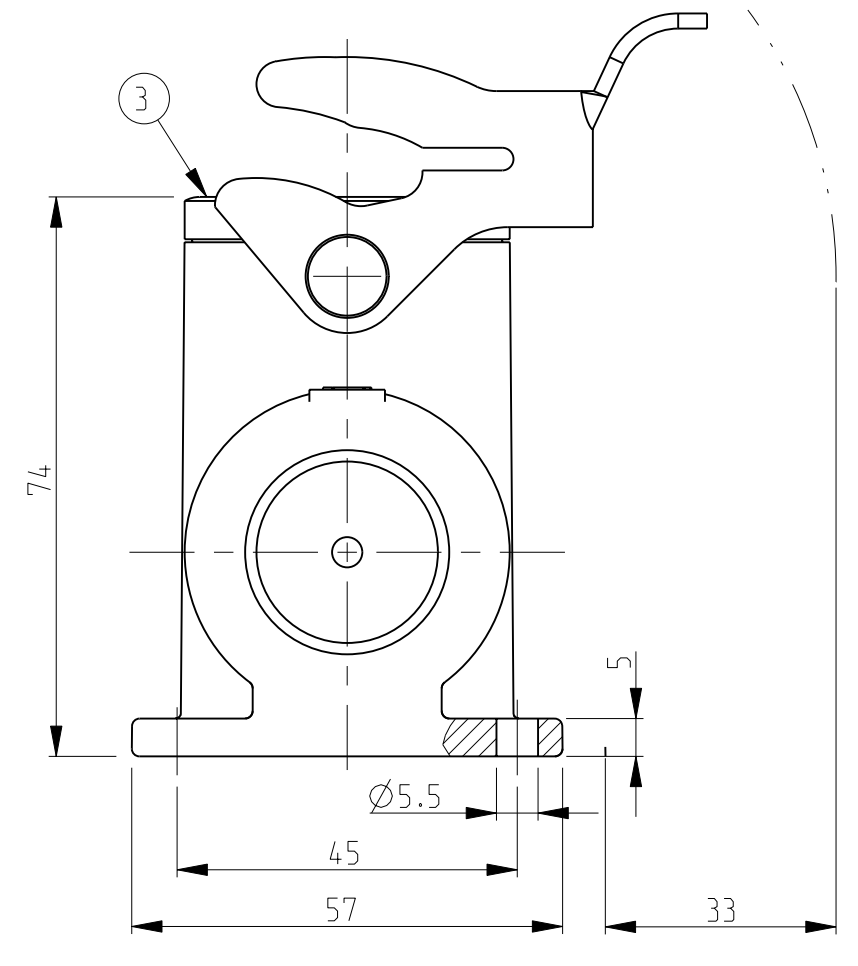
LOC	DIST	REVISIONS			
P	LTR	DESCRIPTION	DATE	DWN	APVD
A3		ECR-16-015318	20SEP2017	GR	MKO
A4		REVISED PER ECR-16-016768	24JAN2018	SRG	MKO



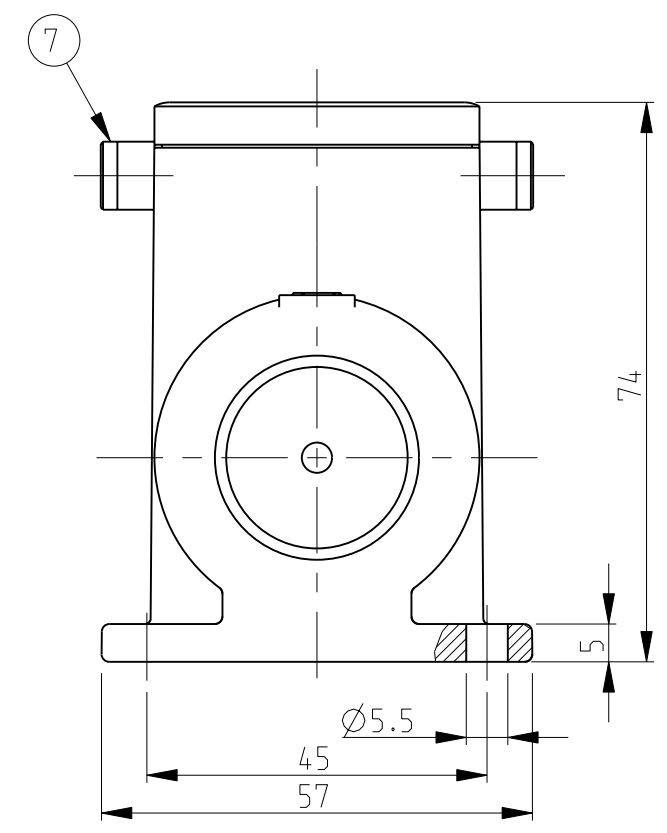
PN 1-1 & 2-1



PN 1-2

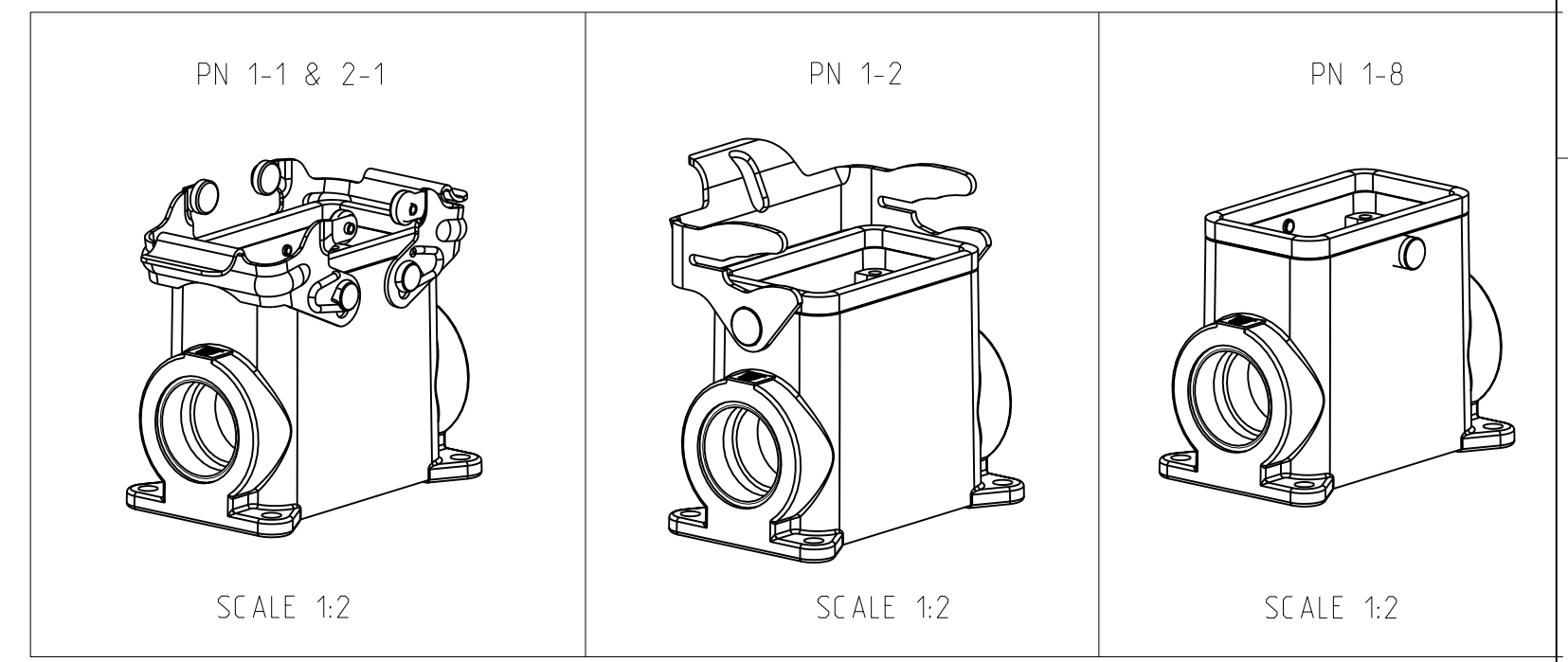


PN 1-8



NOTES.

- Material:Housing:Aluminium Diecasting Alloy  
Seals:Neoprene
- Surface:Varnish grey  
-Aluminium Oxide +Varnish Black
- Varnish on the inside not necessary
- Packaging  
Quantity 5 Pieces in a box



OBSOLETE						
QTY	PLC	DESCRIPTION	MATERIAL	SURFACE	COLOR	REMARKS
2	2	ZB-Clip bolt	Steel	Zinc plated	Blue	7
	2	VS-Clip positioner	Stainless steel	Blank	Blue	6
1	1	VS-Clip positioner	Steel	Zinc plated	Blue	5
1	1	LB-Side clip	Steel	Zinc plated	Blue	4
1	1	Profile seal	Neoprene		Black	3
1	1	Surface mounted housing side entry HD-K	Aluminium	Aluminium oxide	Black	2
1	1	Surface mounted housing side entry HD-K	Aluminium		Grey	1
1-8	1-2	DESCRIPTION	MATERIAL	SURFACE	COLOR	ITEM NO REAMRKS
ORDERING TEXT						
HD-24-SG-VS-1.21.Z						
HD-K-24-SG-VS-1.21.Z						
HD-24-SG-LB-1.21.Z						
HD-Z-24-SG-ZVGR-1.21.Z						

DIMENSIONS:		TOLERANCES UNLESS OTHERWISE SPECIFIED:		DWN		Schneider		21.08.03		TE Connectivity	
mm		±0.10		CHK		Schweiger		21.08.03			
MATERIAL		FINISH		APVD		NAME		PRODUCT SPEC		Surface mounted housing side entry HD.24.SG With 1x21.Z	
				APPLICATION SPEC		SIZE		CAGE CODE		DRAWING NO	
				WEIGHT		A   00779		C=1102507		RESTRICTED TO	
				CUSTOMER DRAW ING		SCALE		1:1		SHEET 1 OF 1 REV A4	

单击下面可查看定价，库存，交付和生命周期等信息

[>>TE Connectivity\(泰科\)](#)