

CODING SYSTEM

CODE A
(2005372-2)

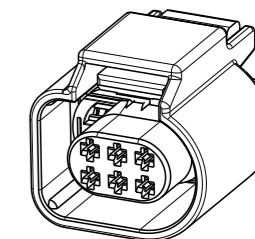
CODE B
(1-2005372-2, 2005372-3 / 4)

TABLE 1

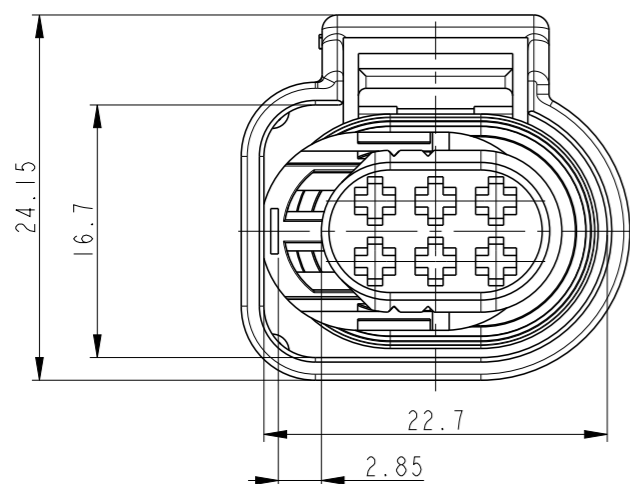
TYPE	FINISH	P/N	APPLICABLE WIRE RANGE (mm ²)
MT11	PRE-TIN	962875-1	0.2~0.5
	SELECTIVE GOLD	962875-5	
	PRE-TIN	962876-1	0.5~0.85
	SELECTIVE GOLD	962876-5	
-	-	1703414	1.25

TABLE 2

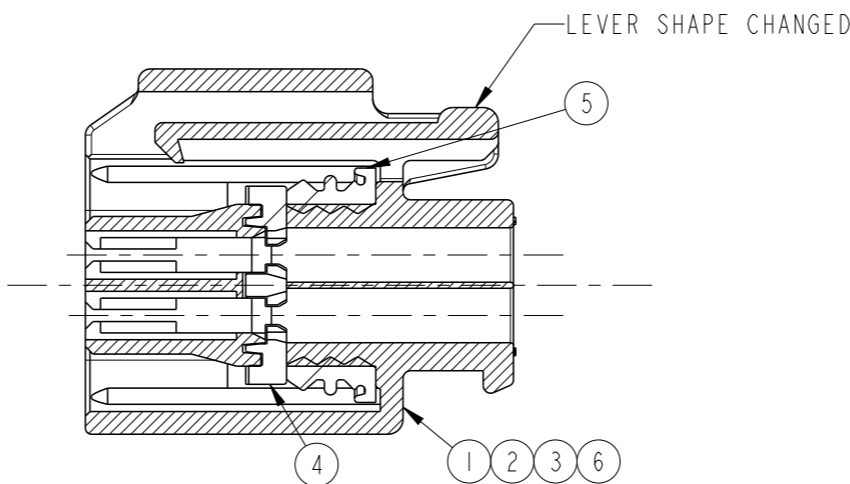
COLOR	P/N	WIRE INSULATION DIAMETER (mm)
YELLOW	964972-1	1.9~2.1
GRAY	963530-1	1.4~1.9
RED	964971-1	1.2~1.6
ORANGE	2112323-1	1.9~2.4
BROWN	2219708-4	2.1~2.4



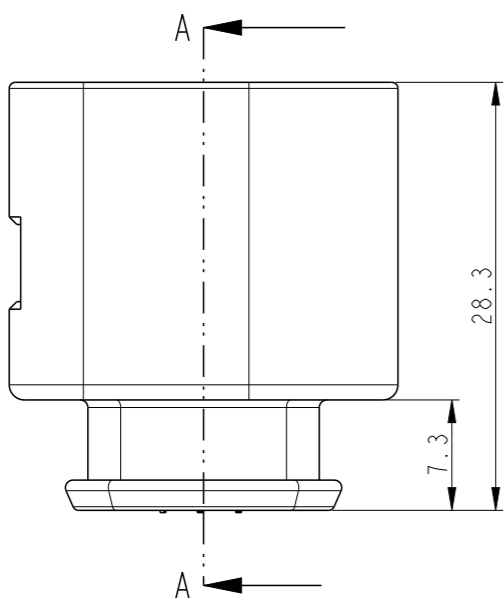
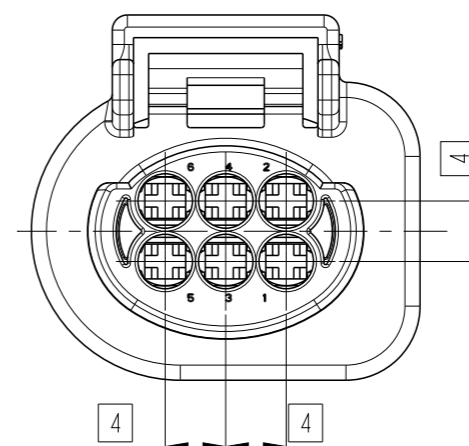
SCALE 1:1



DBL IN 1st LOCKING POSITION



SECTION A-A



- NOTES:
- GENERAL TOLERANCE: ± 0.3 , $\pm 3^\circ$
 - CONNECTOR SUPPLIED WITH SECONDARY LOCK PRE-ASSEMBLED
 - CAVITY SUITABLE FOR MICRO TIMER II STD
 - APPLIED CONTACT : SEE TABLE 1 & PRODUCT GROUP DRAWING FOR MICRO TIMER 2 CONTACT TYPE A (D/n 1355045)
 - APPLIED WIRE SEAL : SEE TABLE 2
 - APPLIED WIRE COVER : 2219369

ASS'Y P/N	KEY CODE	A	B	B	B
2005372-2	A				
1-2005372-2	B				
2005372-4	B				
2005372-3	B				

NO	COLOR	MATERIAL	DESCRIPTION	Q'TY
6	GRAY	PA66-GF15	PLUG HSG(CODE B)	-
5	RED	SILICONE	INNER SEAL	1
4	YELLOW	PA66-GF30	DBL HSG	1
3	BROWN	PA66-GF15	PLUG HSG(CODE B)	1
2	BLACK	PA66-GF15	PLUG HSG(CODE B)	1
1	BLACK	PA66-GF15	PLUG HSG(CODE A)	1

THIS DRAWING IS A CONTROLLED DOCUMENT.

DIMENSIONS: mm	TOLERANCES UNLESS OTHERWISE SPECIFIED: 0 PLC \pm 1 PLC ± 0.5 2 PLC ± 0.13 3 PLC ± 0.013 4 PLC ± 0.0001 ANGLES \pm
MATERIAL SEE TABLE	FINISH SEE TABLE

DWN YJ KIM	NAME
CHK DG JEONG	MT2 SLD 6P PLUG ASSY
APVD KT LIM	
PRODUCT SPEC	
APPLICATION SPEC	
WEIGHT	
CUSTOMER DRAWING	

STE TE Connectivity			
SIZE A3	CAGE CODE 00779	DRAWING NO C-2005372	RESTRICTED TO
SCALE 2:1		SHEET 1	OF 1
		REV D	

单击下面可查看定价，库存，交付和生命周期等信息

[>>TE Connectivity\(泰科\)](#)