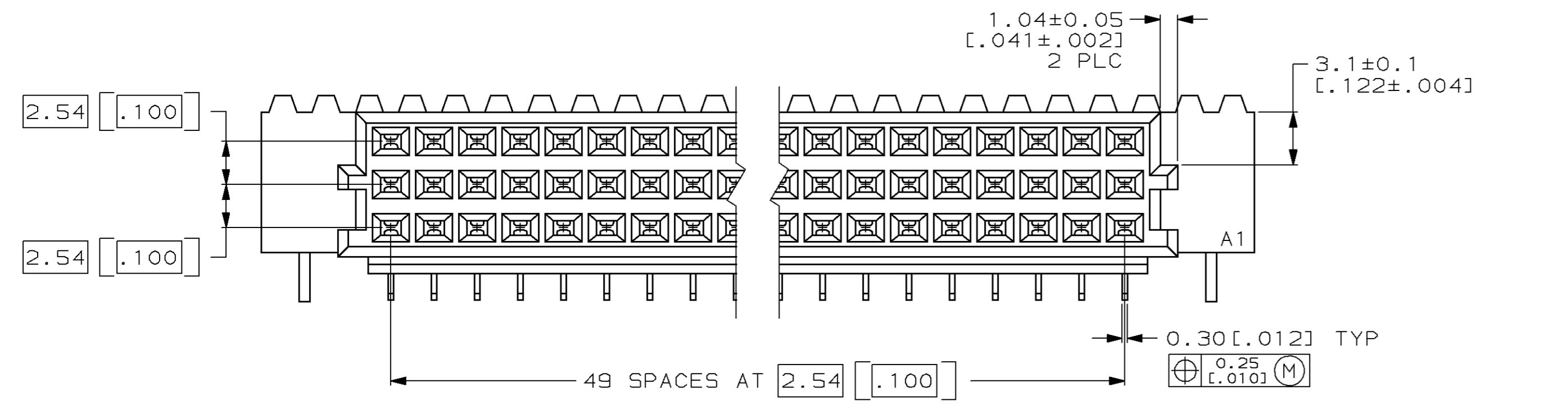
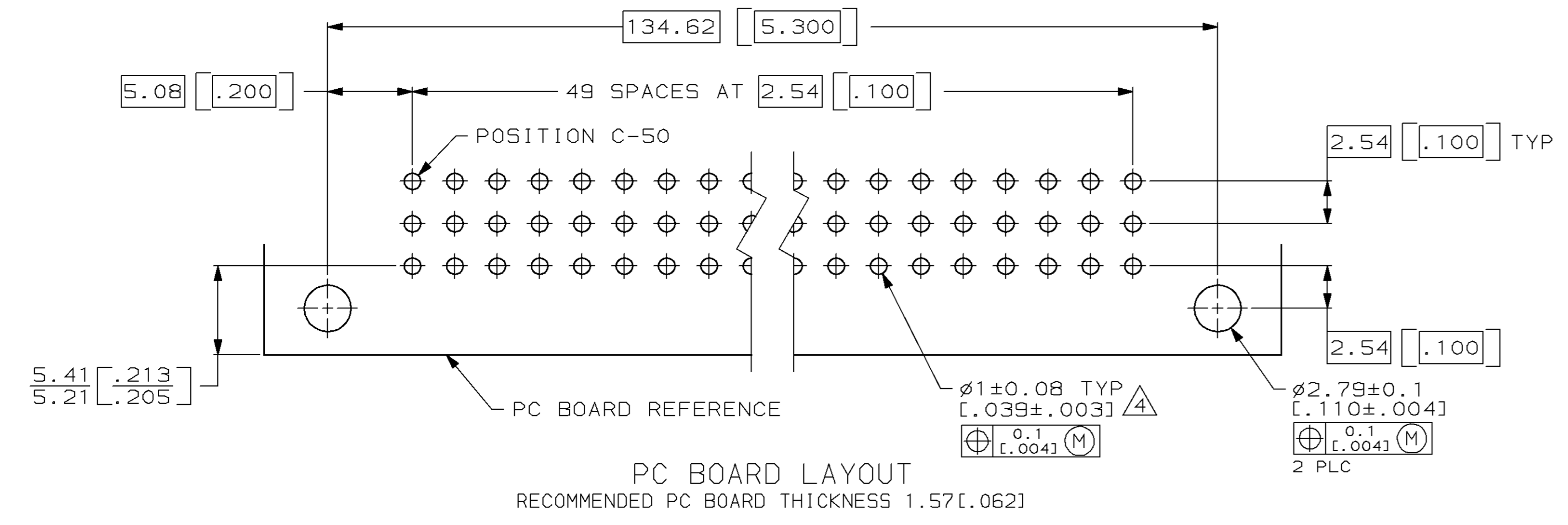
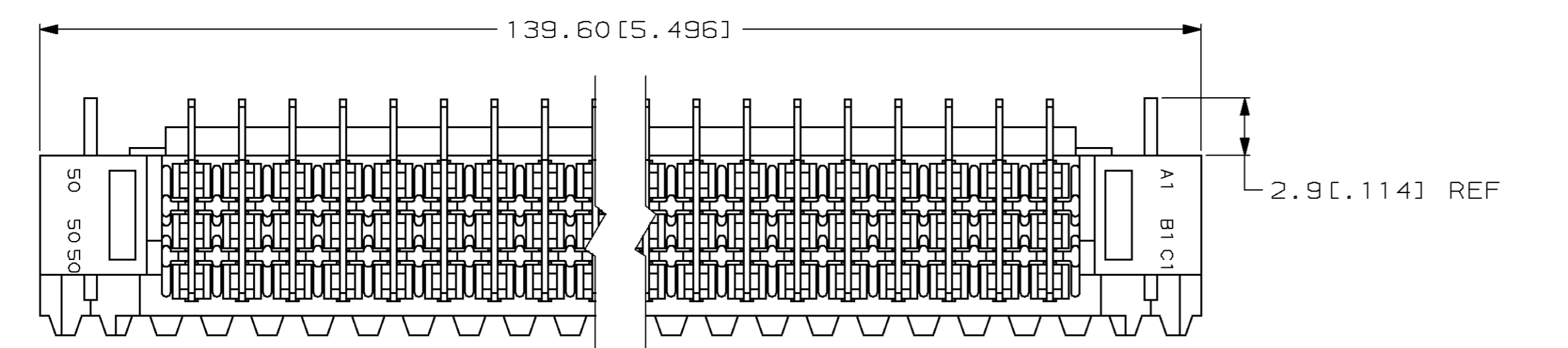
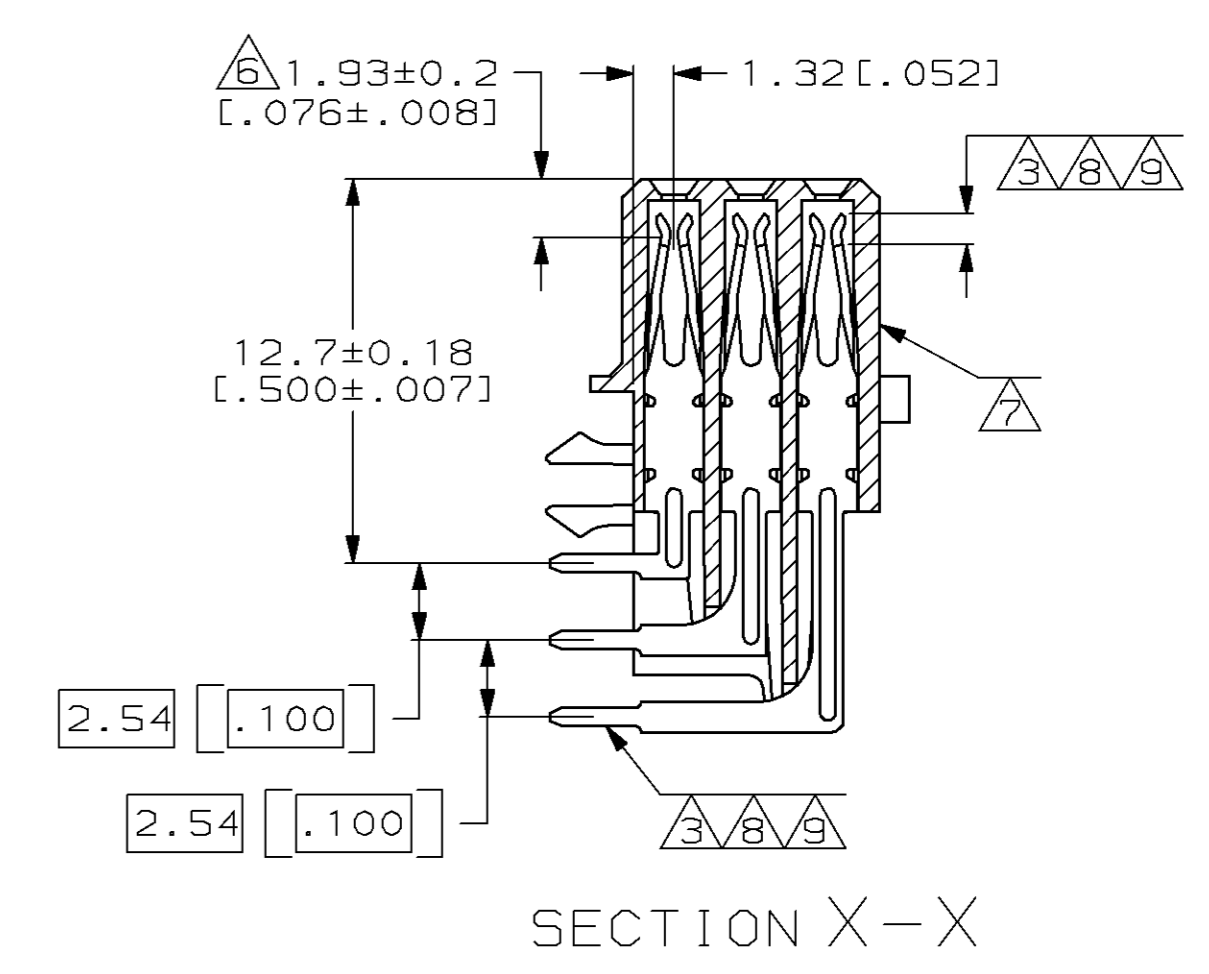
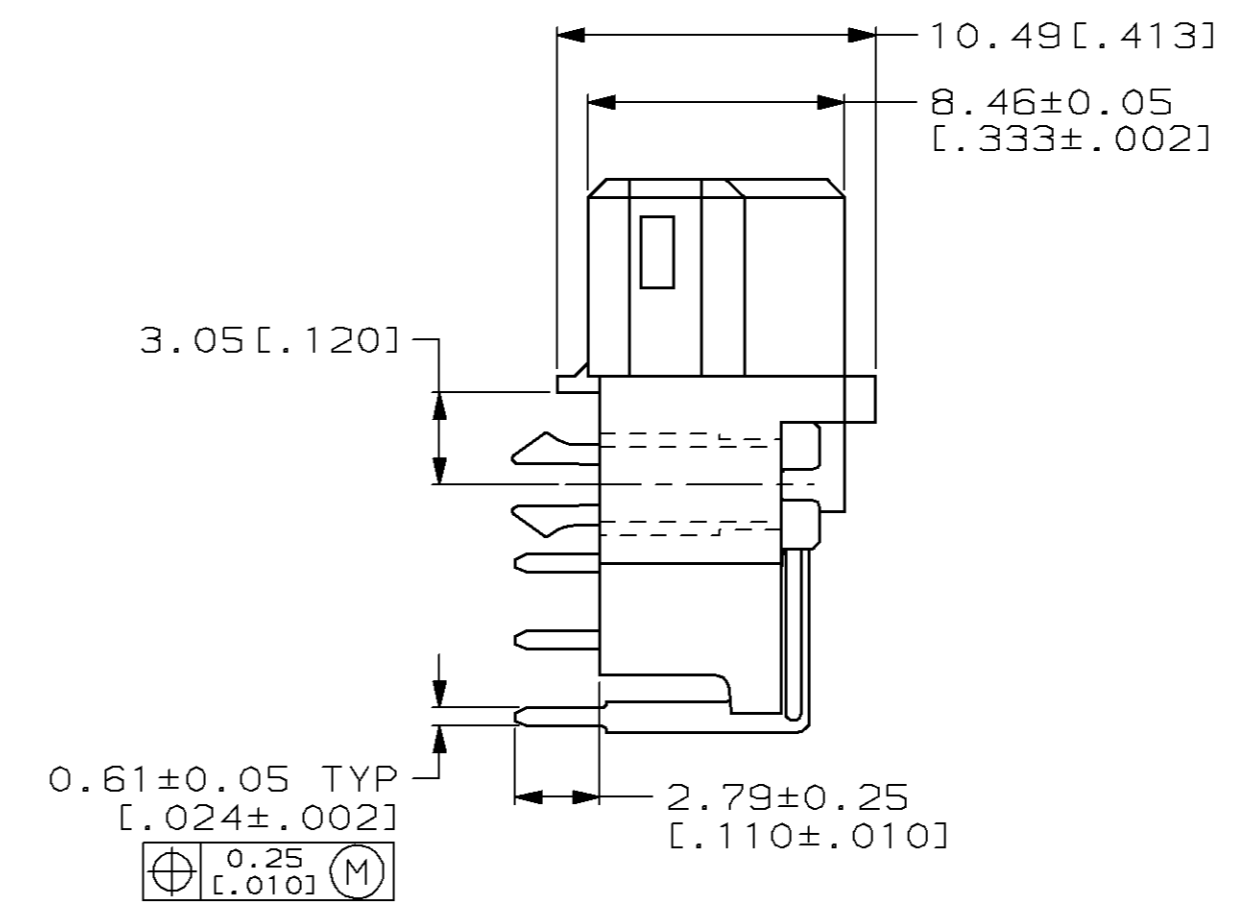
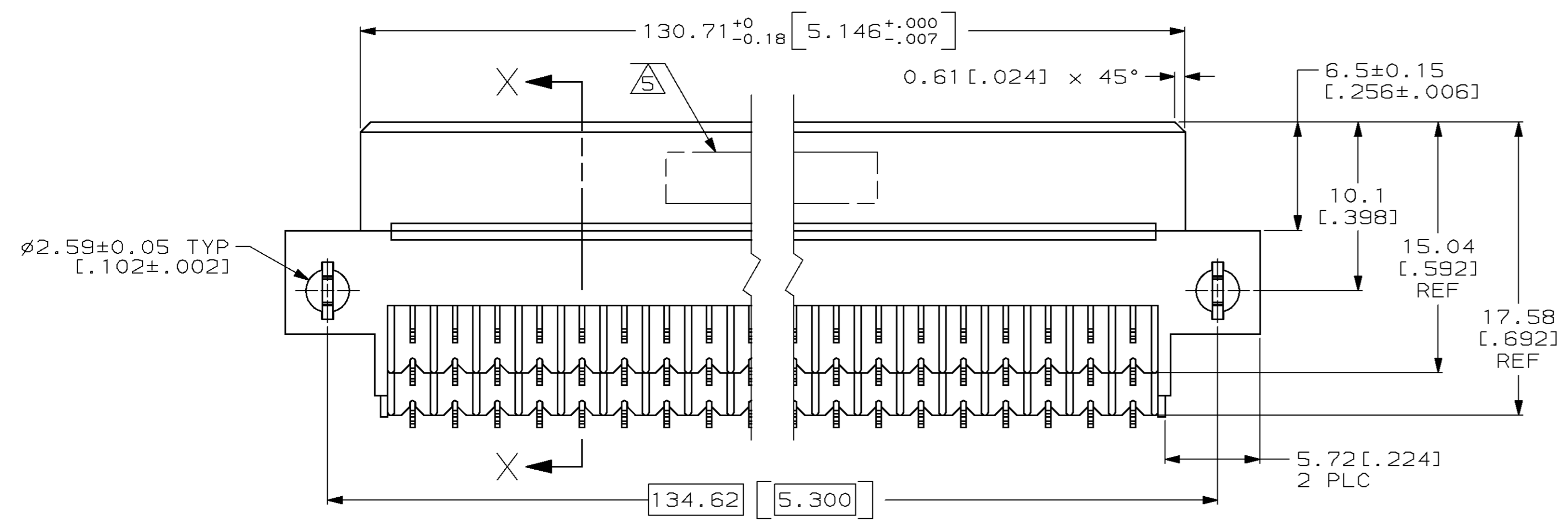


LOC		DIST		P		ZONE		LTR		REVISIONS		
AD	25									DESCRIPTION	DATE	APPD
										K EC 0504-0052-96	6/27/97	CR



- ① HOUSING MATERIAL: GLASS-FILLED POLYESTER. COLOR: GRAY.
- ② CONTACT MATERIAL: PHOSPHOR BRONZE.
- ③ CONTACT FINISH: 0.00076[.000030] GOLD IN CONTACT AREA. 0.00127[.000050] NICKEL UNDERPLATE ALL OVER. TIN-LEAD ON POSTS.
- ④ RECOMMENDED HOLE SIZE FOR MANUAL APPLICATION OF CONNECTOR ONTO PC BOARD.
- ⑤ PART NUMBER, DATE CODE IDENTIFICATION, CSA LOGO HOT-STAMPED THIS APPROXIMATE AREA.
- ⑥ POINT OF MEASUREMENT FOR GOLD.
- ⑦ CONTACT POINT.
- ⑧ CONTACT FINISH: 0.00020[.000008] GOLD IN CONTACT AREA. 0.00127[.000050] NICKEL UNDERPLATE ALL OVER. TIN-LEAD ON POSTS.
- ⑨ CONTACT FINISH: DIN 41612 CLASS 2 IN CONTACT AREA. TIN-LEAD ON POSTS.



SUPERSEDED BY 650959-5	⑧	1 THRU 50	X	X	X	150	650959-9
	⑨	1 THRU 50	X	X	X	150	650959-5
SUPERSEDED BY 650959-5	③	1 THRU 50	X	X	X	150	650959-4
POSITIONS LOADED			C	B	A	NO. OF LOADED POSITION	ASSY PART NUMBER

DO NOT SCALE PRINT. UNLESS SPECIFIED DIMENSIONS IN mm [INCHES] TOLERANCES ON:		DR	1/22/91	AMP INCORPORATED Harrisburg, Pa. 17105	
1 PLC DEC ± -	0.13 [.005]	L. BRINER	1/22/91	RECEPTACLE ASSEMBLY, EUROCARD, TYPE "R" WITH BOARD LOCKS	
2 PLC DEC ± -	0.13 [.005]	N. DRASHER	1/22/91		
ANGLES ± -	-	APPD	1/22/91	NAME	
		N. DRASHER	1/22/91		
MATERIAL		APPD	1/22/91	DRAWING NO	
HOUSING: ①		K.R. PARMER	1/22/91		
CONTACT: ②		PRODUCT SPEC	-	650959	
FINISH		APPLICATION SPEC	-		
CONTACT: ③⑧⑨		WEIGHT	-	SHEET 1 OF 1	
		SCALE	4:1		

单击下面可查看定价，库存，交付和生命周期等信息

[>>TE Connectivity\(泰科\)](#)