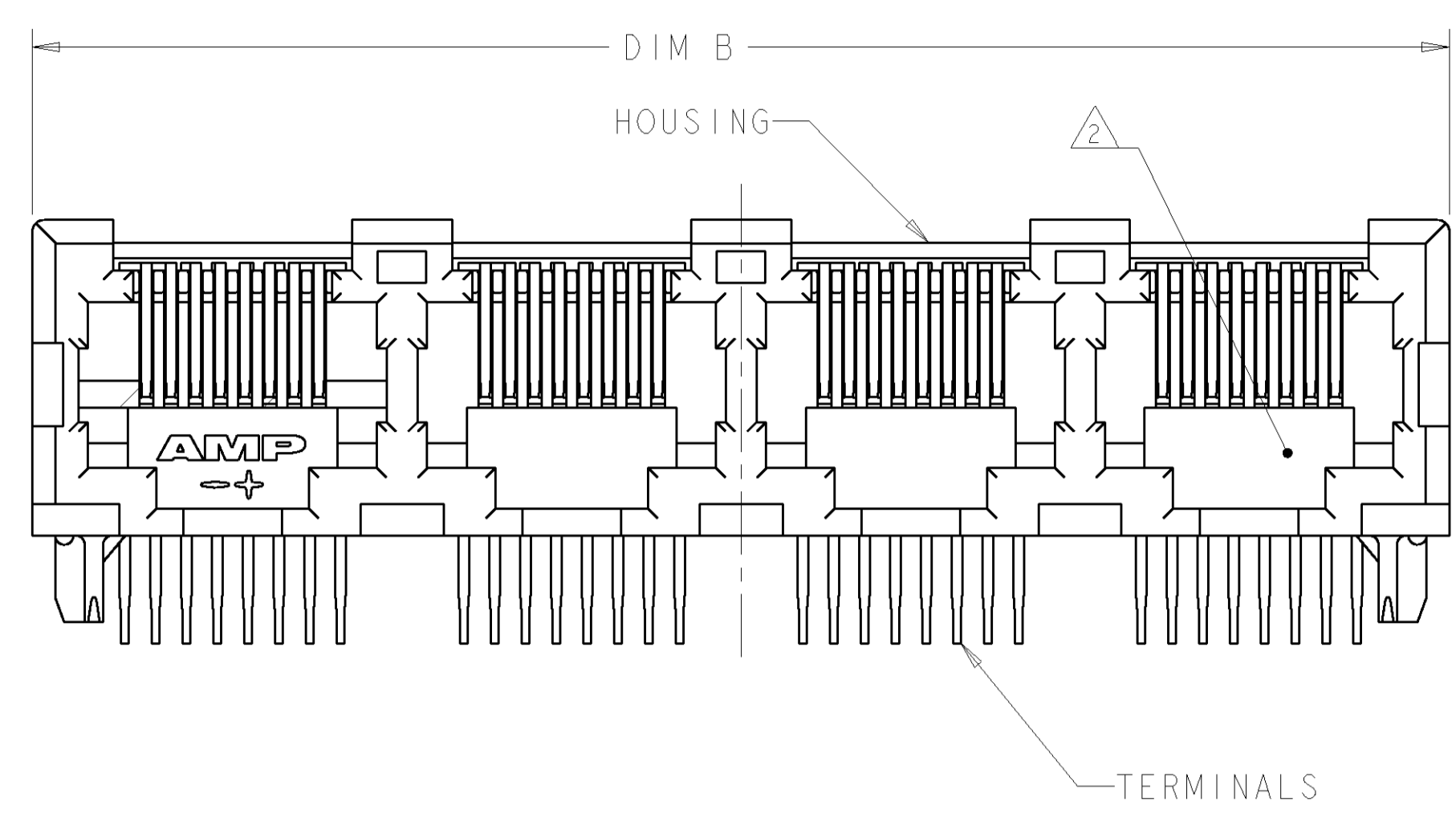
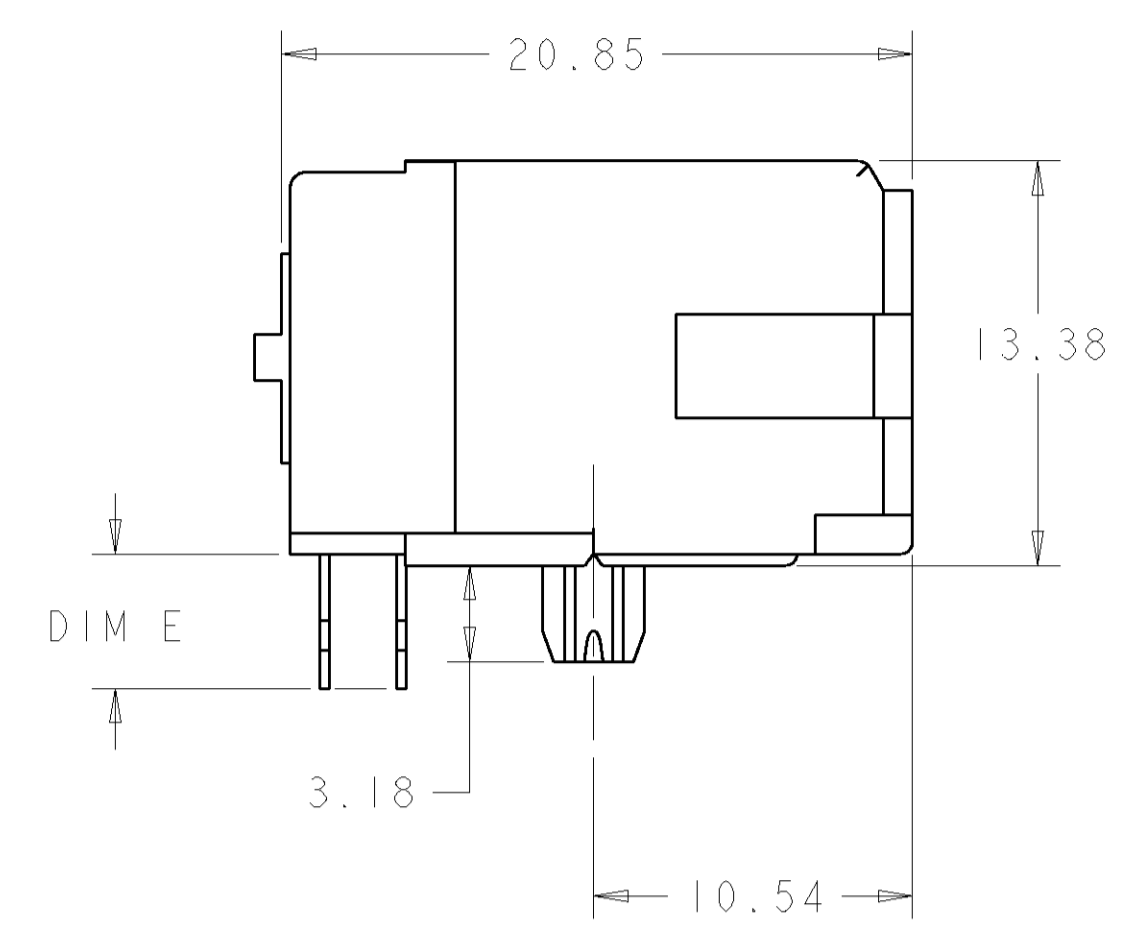
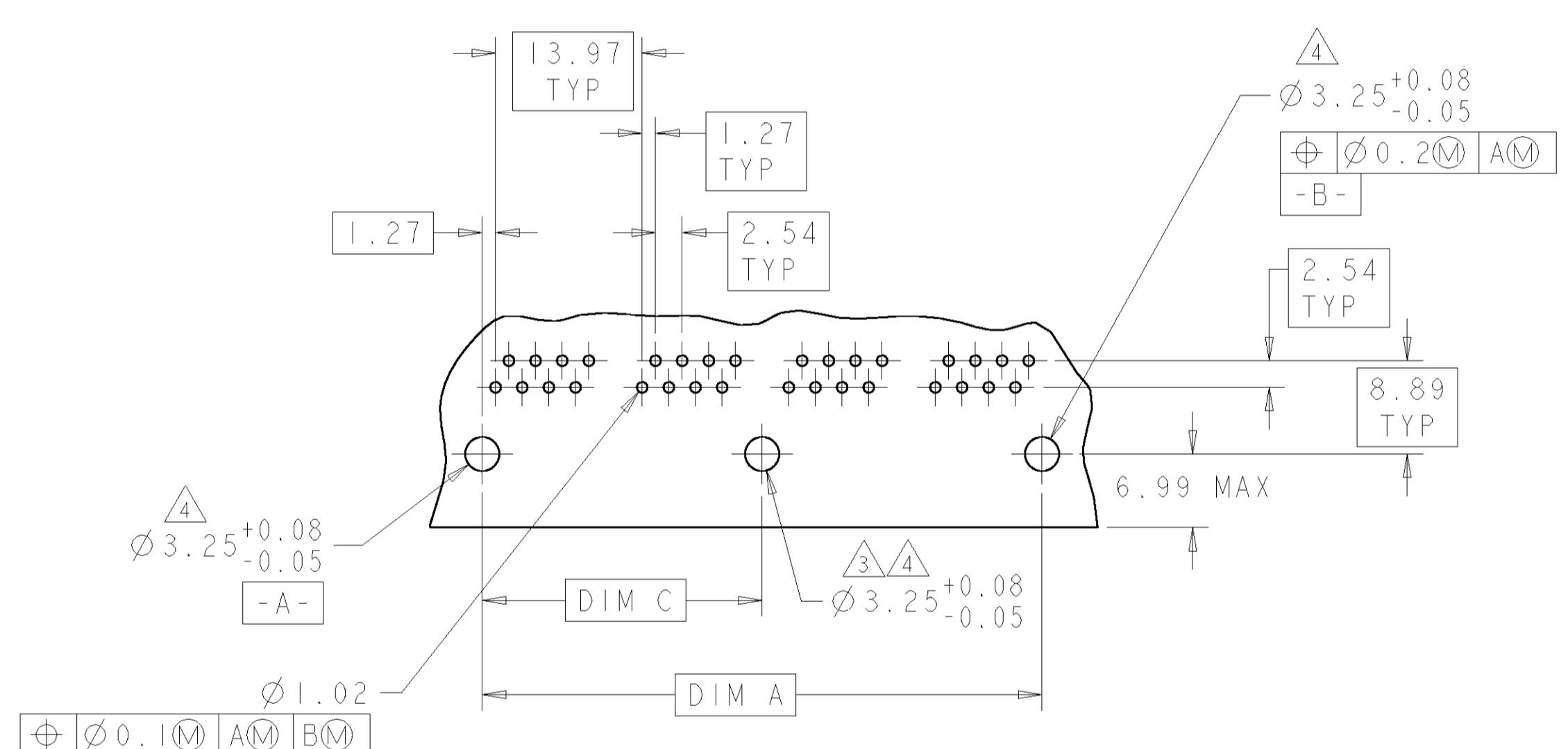


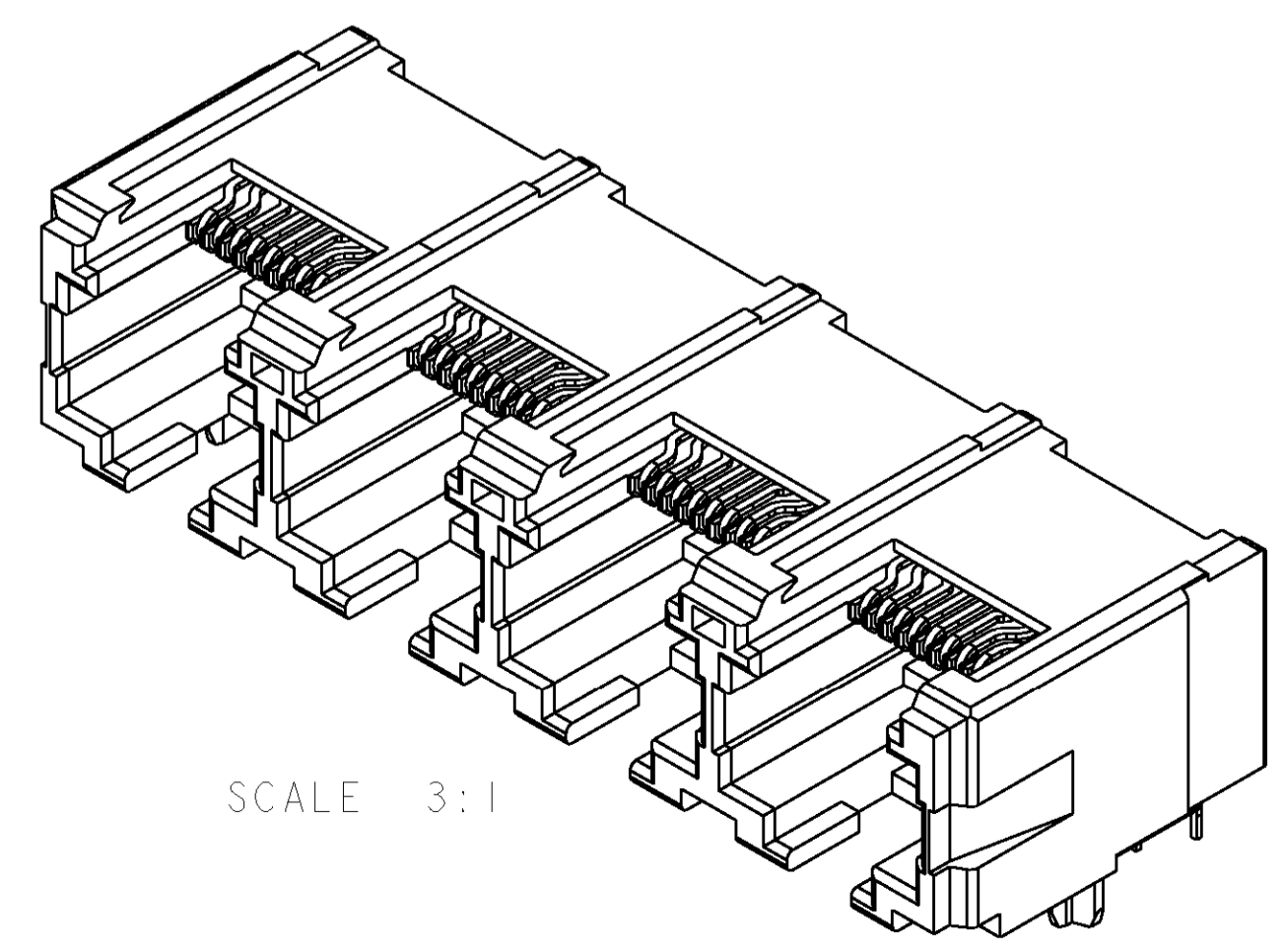
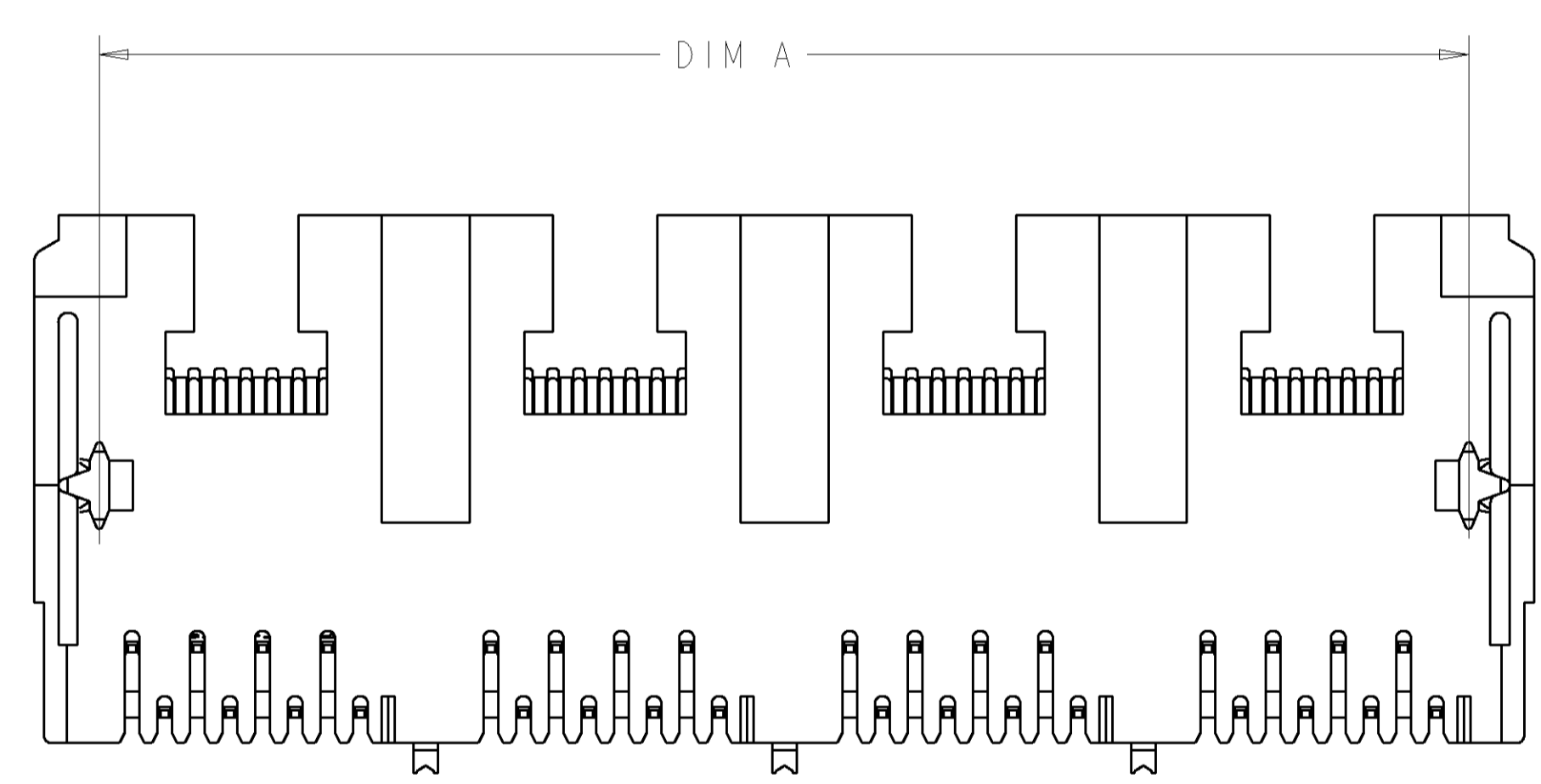
LOC	DIST	REVISIONS				
AA	22	P. LTR	DESCRIPTION	DATE	DRN	APVD
		A	ECOS11-0201-04	10MAY2005	LAM	SF



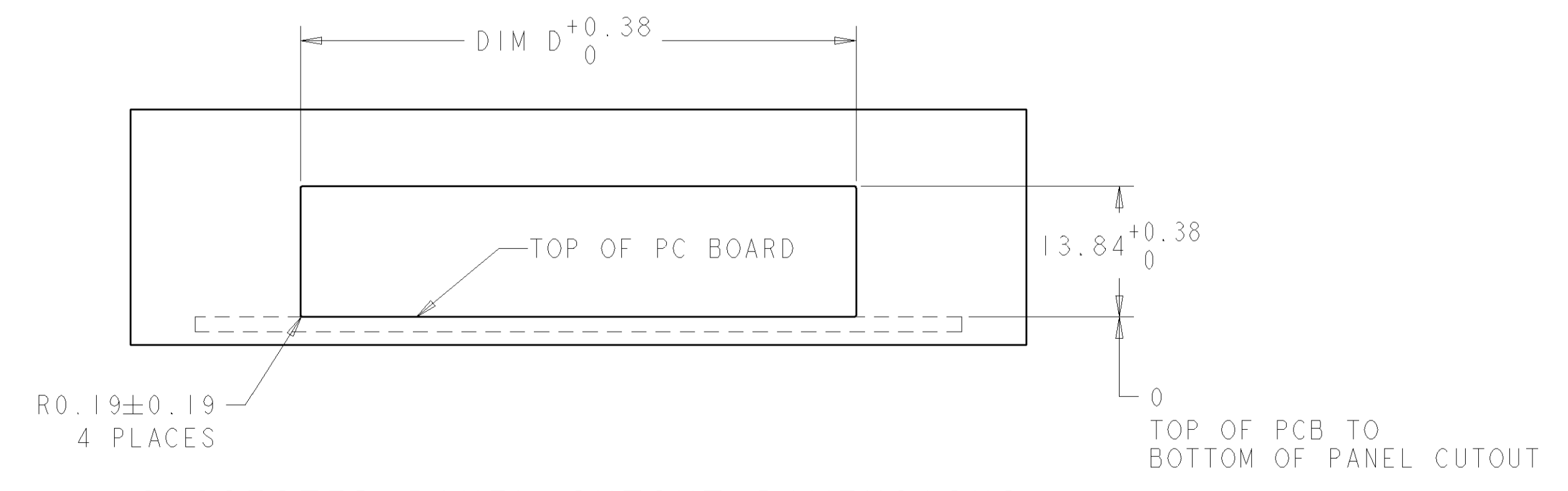
- MATERIAL: HOUSING - PCT POLYESTER, BLACK, UL 94V-0.
 TERMINALS: 0.305 THICK PHOS BRONZE PLATED WITH .0013mm MINIMUM THICK HARD GOLD IN LOCALIZED AREA AND .002mm MINIMUM THICK MATTE TIN IN SOLDER AREA OVER .0013mm MINIMUM THICK NICKEL UNDERPLATE
- JACK CAVITY CONFORMS TO FCC RULES AND REGULATIONS, PART 68 SUBPART F
- CENTER BOARD LOCATOR AND PCB HOLE INCLUDED ON 6339207-7 ONLY
- USE #30 DRILL BIT OR 3.25mm DRILL BIT WHEN PRODUCING THESE PCB HOLES
- RECOMMENDED APPLICATIONS: FAST ETHERNET, 10 BASE-T ETHERNET, AND 10/100 BASE-T ETHERNET (CAT 5 TWO PAIR 1/2, 3/6)



SUGGESTED PCB LAYOUT
 VIEWED FROM COMPONENT SIDE
 SCALE 2:1



SCALE 3:1



SUGGESTED PANEL CUTOUT DIMENSIONS
 SCALE: 2:1

3.56	114.8	54.61	114.3 (1X8)	109.22	6339207-7
3.05	58.9	-	58.42 (1X4)	53.34	6339207-1
DIM E	DIM D	DIM C	DIM B	DIM A	PART NUMBER

DIMENSIONS: mm TOLERANCES UNLESS OTHERWISE SPECIFIED: 0 PLC ± 1 PLC ±0.25 2 PLC ± 3 PLC ± 4 PLC ± ANGLES ±		DWG: J. AHERONA, A. MAYER CHK: J. WESTMAN APVD: S. FLICKINGER TICO ELECTRONICS Harrisburg, PA 17105-3608	
MATERIAL: SEE NOTE 1 FINISH: SEE NOTE 1		PRODUCT SPEC: 108-1163-9 APPLICATION SPEC: 114-2048 WEIGHT: - CUSTOMER DRAWING: A100779C=6339207	
SCALE: 4:1		SHEET: 1 OF 1 REV: A	

单击下面可查看定价，库存，交付和生命周期等信息

[>>TE Connectivity\(泰科\)](#)