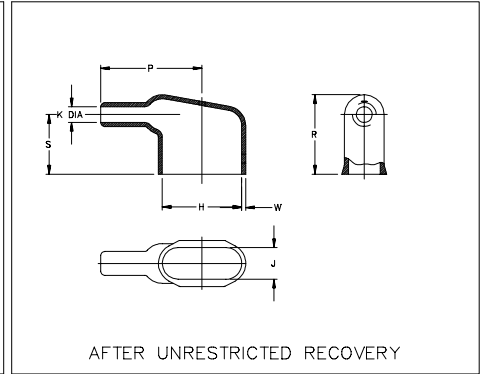
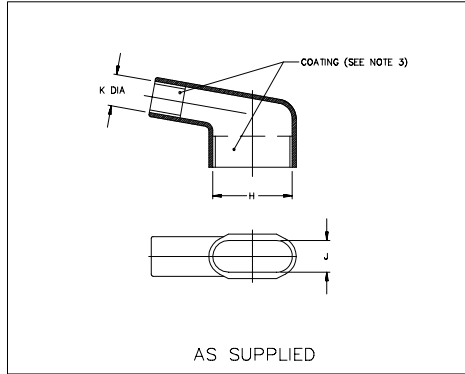


Thermofit[®] Molded Parts
 Specification Control Drawing
 Limited Distribution

Part Number : 234A932-X-04
 Description : Boot, Rectangular,
 Environmental, Subminiature,
 90°, End Entry

NOTES

- All dimensions are in $\frac{\text{inches}}{\text{[millimeters]}}$
- Dimensions appearing in table are as follows:
 a - As Supplied
 b - After Unrestricted Recovery
- Coating is optional. As supplied dimensions appearing in table are for uncoated parts. When coating is added, entry diameters will be reduced by .06 max.



PART NUMBER	H		J		K		P	R	S	W	Weight lbs±10%	This Boot Fits Cannon
	Min	±5%	Min	±5%	Min	Max						
	a	b	a	b	a	b						
234A932-X-04	1.85 [47,0]	1.66 [42,2]	.60 [15,2]	.42 [10,7]	.55 [14,0]	.32 [8,1]	1.69 [43,0]	1.10 [27,9]	.87 [22,1]	.04 [1,0]	.0099	DBD-25

Raychem

RAYCHEM CORPORATION
 300 CONSTITUTION DRIVE
 MENLO PARK, CALIFORNIA 94025
 (415) 361-6055

Revision : B
 Date : 04/23/92

Part Number : 234A932-X-04
 Description : Boot, Rectangular,
 Environmental, Subminiature,
 90°, End Entry

Thermofit[®] Molded Parts
 Specification Control Drawing
 Limited Distribution

Part Number : 234A932-X-04
 Description : Boot, Rectangular,
 Environmental, Subminiature,
 90°, End Entry

COMPATABILITY CHART					
MATERIAL DASH NO.	MATERIAL DESCRIPTION	RT SPEC	COATING SLASH NO.	COATING S NO.	COATING DESCRIPTION
-3	Polyolefin, Semi-rigid	RT-301	/42	S-1017	Adhesive

ORDERING INFORMATION

234A932 -3 -04 /42

Base part number _____

Material dash number _____
 (See Compatability Chart)

Modification number _____
 (If necessary, see front of scd binder
 for a complete list)

Adhesive slash number _____
 (If necessary, see Compatability Chart)

THIS DRAWING IS SUBJECT TO CHANGE WITHOUT NOTICE; CONSULT YOUR
 NEAREST FIELD REPRESENTATIVE FOR CURRENT REVISION

If this document is printed it becomes uncontrolled.
 Check for the latest revision.

Raychem

RAYCHEM CORPORATION
 300 CONSTITUTION DRIVE
 MENLO PARK, CALIFORNIA 94025
 (415) 361-6055

Revision : B
 Date : 04/23/92

Part Number : 234A932-X-04
 Description : Boot, Rectangular,
 Environmental, Subminiature,
 90°, End Entry

单击下面可查看定价，库存，交付和生命周期等信息

[>>TE Connectivity\(泰科\)](#)