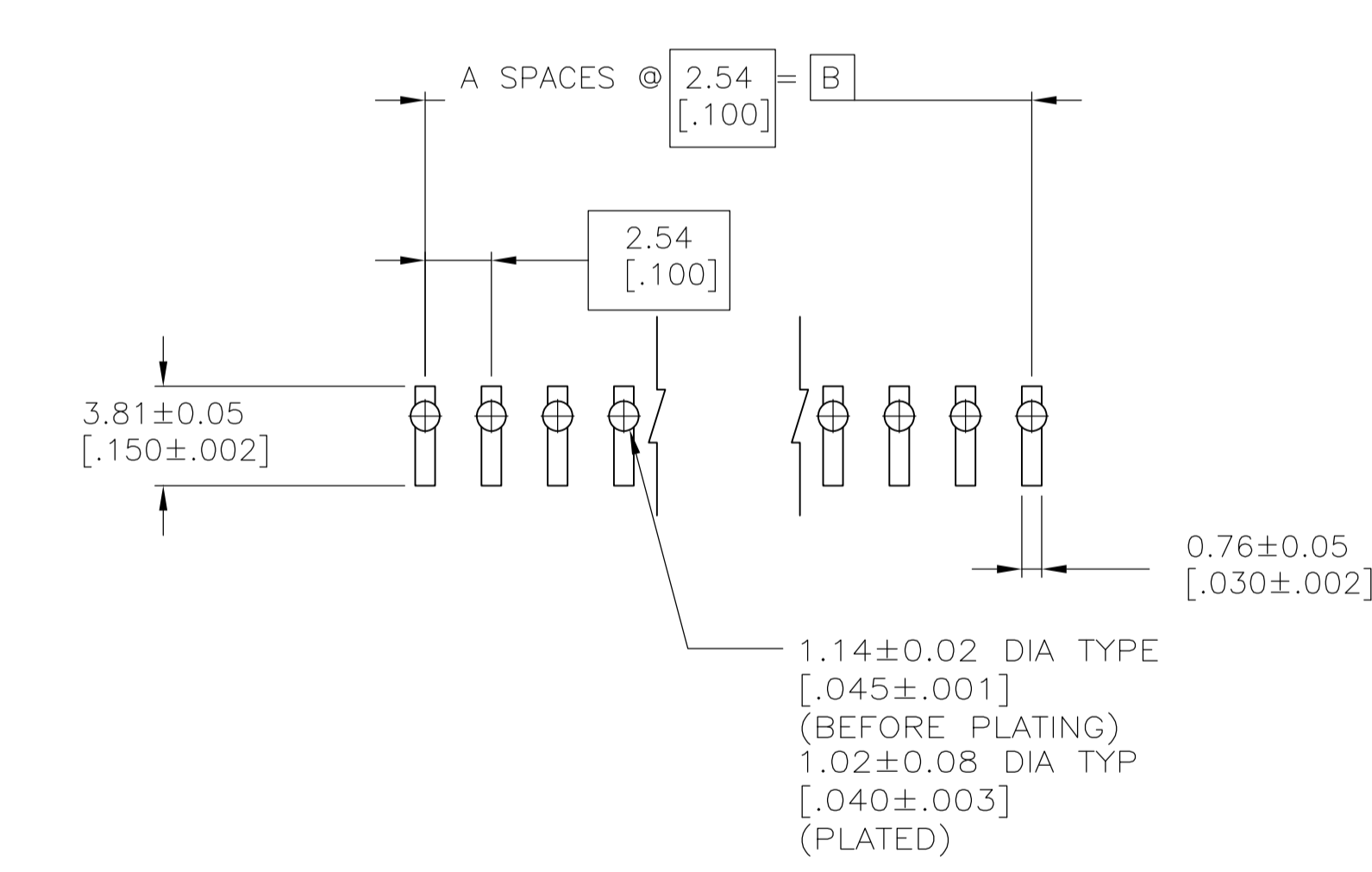
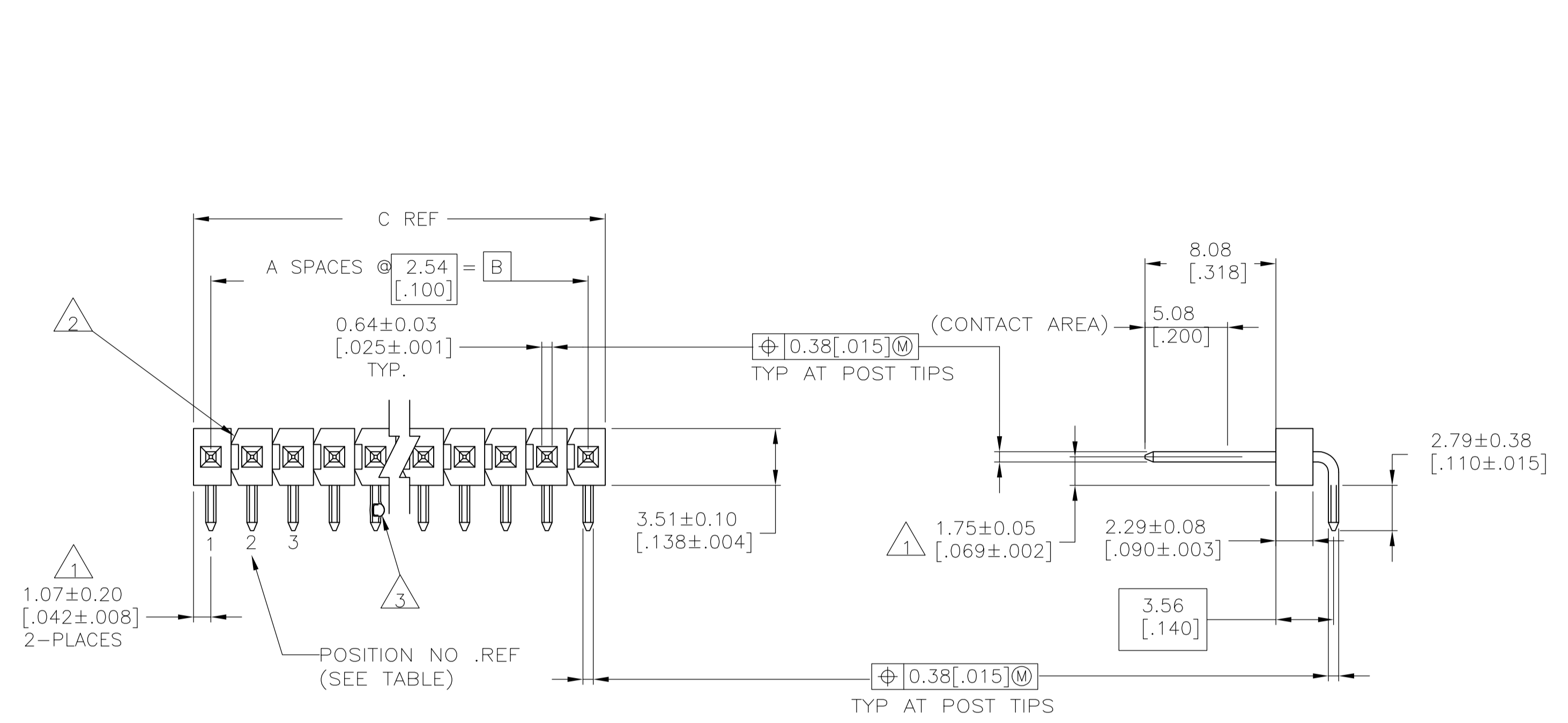
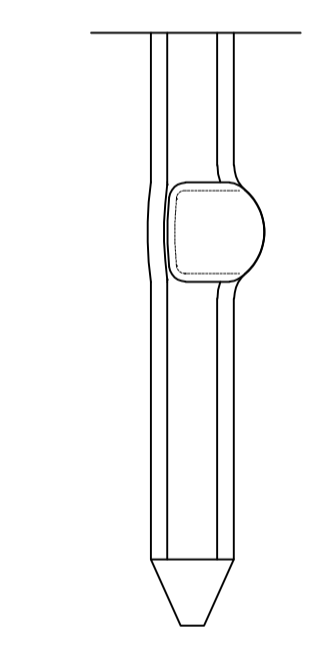


LOC		DIST		REVISIONS			
AD	00	REV	DATE	BY	CHK	APPV	
D	REVISED PER ECO-14-000255		14JUL2014	NK	MM		



RECOMENDED PC BOARD MOUNTING DIMENSIONS FOR .063 [1.60] THICK PC BOARD AND .012 [.305] STENCIL THICK.



DETAIL Z
POST DETAIL TYP
2 POST MINIMUM
SCALE 20:1

THIS DRAWING IS A CONTROLLED DOCUMENT.		DIN T. HOFFMAN 21JUNE95	 TE Connectivity
DIMENSIONS: mm [INCHES]		CHK G-DUBNICZKI 4DEC95	
TOLERANCES UNLESS OTHERWISE SPECIFIED:		APVD G-DUBNICZKI 4DEC95	NAME: HEADER ASSY MOD II, BREAKAWAY, HIGH TEMPERATURE, RIGHT ANGLE SINGLE ROW, 100 C/L W/.025 SQUARE POSTS WITH HOLD-DOWN CONFIGURATION
0 PLC ± -	1 PLC ± -	PRODUCT SPEC	APPLICATION SPEC
2 PLC ± 0.51[0.02]	3 PLC ± 0.127[0.005]	SIZE	CAGE CODE
4 PLC ± 0.0127[0.0005]	ANGLES ±	WEIGHT	DRAWING NO.
MATERIAL	FINISH SEE TABLE	WEIGHT	A1 00779 C=146307
CUSTOMER DRAWING		SCALE 4:1	SHEET 1 OF 2 REV D

6	1,2,39,40	101.19 [3.984]	99.06 [3.900]	39	40	9-146307-0
6	1,2,38,39	98.65 [3.884]	96.52 [3.800]	38	39	8-146307-9
6	1,2,37,38	96.11 [3.684]	93.98 [3.700]	37	38	8-146307-8
6	1,2,36,37	93.57 [3.684]	91.44 [3.600]	36	37	8-146307-7
6	1,2,35,36	91.03 [3.584]	88.90 [3.500]	35	36	8-146307-6
6	1,2,34,35	88.49 [3.484]	86.36 [3.400]	34	35	8-146307-5
6	1,2,33,34	85.95 [3.384]	83.82 [3.300]	33	34	8-146307-4
6	1,2,32,33	83.41 [3.284]	81.28 [3.200]	32	33	8-146307-3
6	1,2,31,32	80.87 [3.184]	78.74 [3.100]	31	32	8-146307-2
6	1,2,30,31	78.33 [3.084]	76.20 [3.000]	30	31	8-146307-1
6	1,2,29,30	75.79 [2.984]	73.66 [2.900]	29	30	8-146307-0
6	1,2,28,29	73.25 [2.884]	71.12 [2.800]	28	29	7-146307-9
6	1,2,27,28	70.71 [2.684]	68.58 [2.700]	27	28	7-146307-8
6	1,2,26,27	68.17 [2.684]	66.04 [2.600]	26	27	7-146307-7
6	1,2,25,26	65.63 [2.584]	63.5 [2.500]	25	26	7-146307-6
6	1,2,24,25	63.09 [2.484]	60.96 [2.400]	24	25	7-146307-5
6	1,2,23,24	60.55 [2.384]	58.42 [2.300]	23	24	7-146307-4
6	1,2,22,23	58.01 [2.284]	55.88 [2.200]	22	23	7-146307-3
6	1,2,21,22	55.47 [2.184]	53.34 [2.100]	21	22	7-146307-2
6	1,2,20,21	52.93 [2.084]	50.80 [2.000]	20	21	7-146307-1
6	1,2,19,20	50.39 [1.984]	48.26 [1.900]	19	20	7-146307-0
6	1,2,18,19	47.85 [1.884]	45.72 [1.800]	18	19	6-146307-9
6	1,2,17,18	45.31 [1.784]	43.18 [1.700]	17	18	6-146307-8
6	1,2,16,17	42.77 [1.584]	40.64 [1.600]	16	17	6-146307-7
6	1,2,15,16	40.23 [1.584]	38.10 [1.500]	15	16	6-146307-6
6	1,2,14,15	37.69 [1.484]	35.56 [1.400]	14	15	6-146307-5
6	1,2,13,14	35.15 [1.384]	33.02 [1.200]	13	14	6-146307-4
6	1,2,12,13	32.61 [1.284]	30.48 [1.200]	12	13	6-146307-3
6	1,2,11,12	30.07 [1.184]	27.94 [1.100]	11	12	6-146307-2
6	1,2,10,11	27.53 [1.084]	25.40 [1.000]	10	11	6-146307-1
6	1,2,9,10	24.99 [.984]	22.86 [.900]	9	10	6-146307-0
6	1,2,8,9	22.45 [.884]	20.32 [.800]	8	9	5-146307-9
6	1,2,7,8	19.91 [.784]	17.78 [.700]	7	8	5-146307-8
6	1,2,6,7	17.37 [.684]	15.24 [.600]	6	7	5-146307-7
6	ALL	14.83 [.584]	12.70 [.500]	5	6	5-146307-6
6	ALL	12.29 [.484]	10.16 [.400]	4	5	5-146307-5
6	ALL	9.75 [.384]	7.62 [.300]	3	4	5-146307-4
6	ALL	7.21 [.284]	5.08 [.200]	2	3	5-146307-3

PLATING HOLD-DOWN POST CONFIG. LOCATIONS. C B A NO. OF POSITIONS PART NUMBER

4	1,2,39,40	101.19 [3.984]	99.06 [3.900]	39	40	4-146307-0
4	1,2,38,39	98.65 [3.884]	96.52 [3.800]	38	39	3-146307-9
4	1,2,37,38	96.11 [3.684]	93.98 [3.700]	37	38	3-146307-8
4	1,2,36,37	93.57 [3.684]	91.44 [3.600]	36	37	3-146307-7
4	1,2,35,36	91.03 [3.584]	88.90 [3.500]	35	36	3-146307-6
4	1,2,34,35	88.49 [3.484]	86.36 [3.400]	34	35	3-146307-5
4	1,2,33,34	85.95 [3.384]	83.82 [3.300]	33	34	3-146307-4
4	1,2,32,33	83.41 [3.284]	81.28 [3.200]	32	33	3-146307-3
4	1,2,31,32	80.87 [3.184]	78.74 [3.100]	31	32	3-146307-2
4	1,2,30,31	78.33 [3.084]	76.20 [3.000]	30	31	3-146307-1
4	1,2,29,30	75.79 [2.984]	73.66 [2.900]	29	30	3-146307-0
4	1,2,28,29	73.25 [2.884]	71.12 [2.800]	28	29	2-146307-9
4	1,2,27,28	70.71 [2.684]	68.58 [2.700]	27	28	2-146307-8
4	1,2,26,27	68.17 [2.684]	66.04 [2.600]	26	27	2-146307-7
4	1,2,25,26	65.63 [2.584]	63.5 [2.500]	25	26	2-146307-6
4	1,2,24,25	63.09 [2.484]	60.96 [2.400]	24	25	2-146307-5
4	1,2,23,24	60.55 [2.384]	58.42 [2.300]	23	24	2-146307-4
4	1,2,22,23	58.01 [2.284]	55.88 [2.200]	22	23	2-146307-3
4	1,2,21,22	55.47 [2.184]	53.34 [2.100]	21	22	2-146307-2
4	1,2,20,21	52.93 [2.084]	50.80 [2.000]	20	21	2-146307-1
4	1,2,19,20	50.39 [1.984]	48.26 [1.900]	19	20	2-146307-0
4	1,2,18,19	47.85 [1.884]	45.72 [1.800]	18	19	1-146307-9
4	1,2,17,18	45.31 [1.784]	43.18 [1.700]	17	18	1-146307-8
4	1,2,16,17	42.77 [1.584]	40.64 [1.600]	16	17	1-146307-7
4	1,2,15,16	40.23 [1.584]	38.10 [1.500]	15	16	1-146307-6
4	1,2,14,15	37.69 [1.484]	35.56 [1.400]	14	15	1-146307-5
4	1,2,13,14	35.15 [1.384]	33.02 [1.200]	13	14	1-146307-4
4	1,2,12,13	32.61 [1.284]	30.48 [1.200]	12	13	1-146307-3
4	1,2,11,12	30.07 [1.184]	27.94 [1.100]	11	12	1-146307-2
4	1,2,10,11	27.53 [1.084]	25.40 [1.000]	10	11	1-146307-1
4	1,2,9,10	24.99 [.984]	22.86 [.900]	9	10	1-146307-0
4	1,2,8,9	22.45 [.884]	20.32 [.800]	8	9	146307-9
4	1,2,7,8	19.91 [.784]	17.78 [.700]	7	8	146307-8
4	1,2,6,7	17.37 [.684]	15.24 [.600]	6	7	146307-7
4	ALL	14.83 [.584]	12.70 [.500]	5	6	146307-6
4	ALL	12.29 [.484]	10.16 [.400]	4	5	146307-5
4	ALL	9.75 [.384]	7.62 [.300]	3	4	146307-4
4	ALL	7.21 [.284]	5.08 [.200]	2	3	146307-3
4	-	4.67 [.184]	2.54 [.100]	1	2	146307-2
4	-	2.13 [.084]	-	0	1	146307-1

PLATING HOLD-DOWN POST CONFIG. LOCATIONS. C B A NO. OF POSITIONS PART NUMBER

OBSOLETE

OBSOLETE

△ SUPERCEDED

OBSOLETE

OBSOLETE
OBSOLETE

THIS DRAWING IS A CONTROLLED DOCUMENT. DIN T. HOFFMAN 21JUN95
 CHK G. DUBNICZKI 4DEC95
 APVO G. DUBNICZKI 4DEC95

STE TE Connectivity

NAME: HEADER ASSY MOD II, BREAKAWAY, HIGH TEMPERATURE
 APPLICATION SPEC: SQUARE POSTS WITH HOLD-DOWN CONFIGURATION

SIZE: A1 CAGE CODE: 00779 DRAWING NO: 146307
 WEIGHT: -

CUSTOMER DRAWING SCALE: 1:1 SHEET: 2 OF 2 REV: D

TOLERANCES UNLESS OTHERWISE SPECIFIED:
 0 PL ± -
 1 PL ± -
 2 PL ± 0.51(0.02)
 3 PL ± 0.127(0.005)
 4 PL ± 0.0127(0.0005)
 ANGLES ±

MATERIAL: 5 FINISH: SEE TABLE

单击下面可查看定价，库存，交付和生命周期等信息

[>>TE Connectivity\(泰科\)](#)