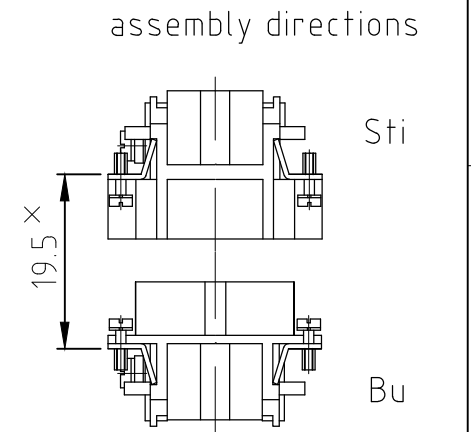
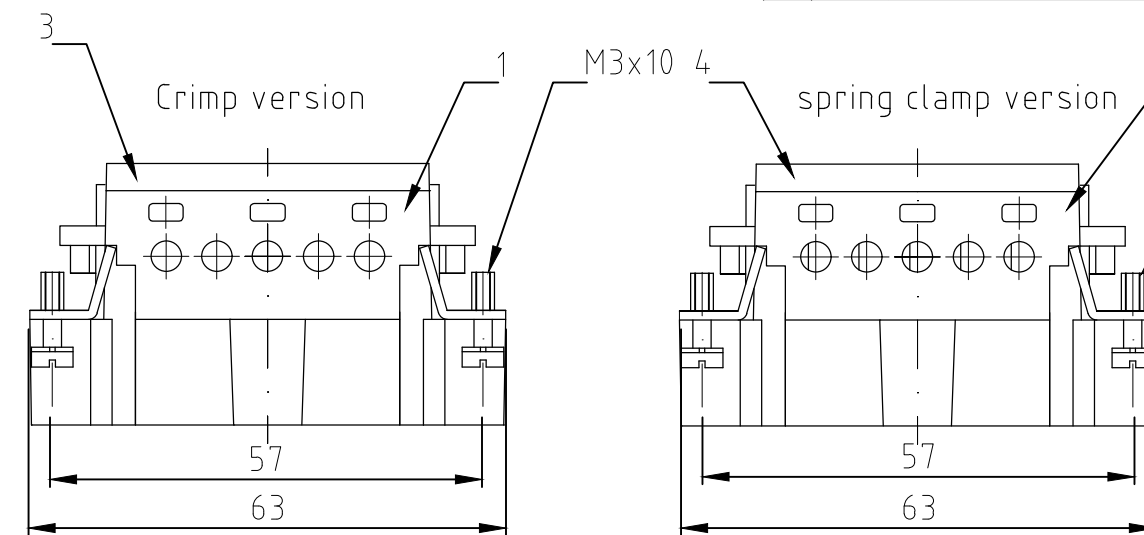
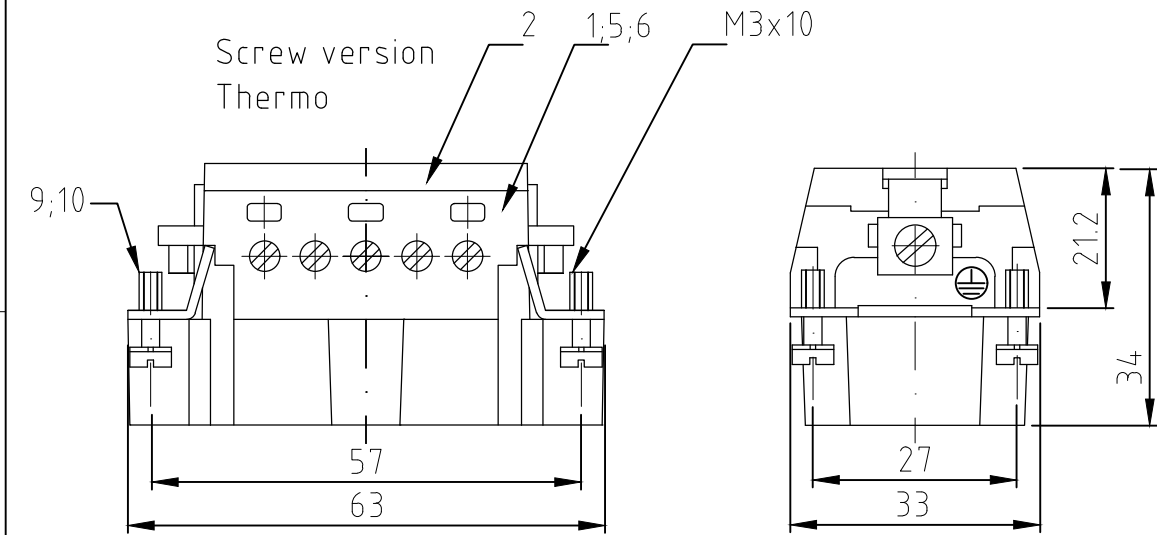
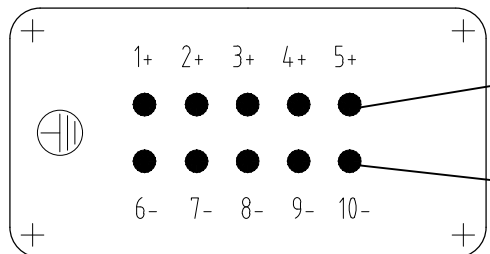


REVISIONS ÄNDERUNGEN		DATE	DWN	APVD
P	LTR	DESCRIPTION BESCHREIBUNG		
	A9	REVISED PER ECR-17-014412	03APR18	NG MKO



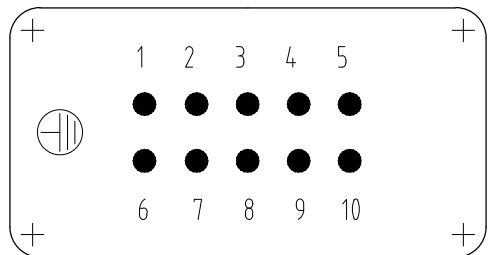
Printing 1-10 Thermo



Contact arrangement

view from termination side

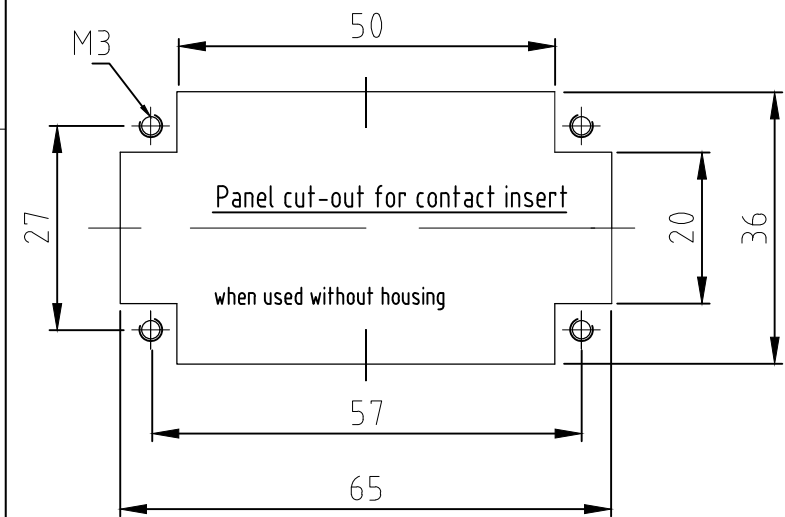
Printing 1-10 Screw



NOTES:

- 1 SUITABLE CRIMP CONTACTS: SERIES HE/HA
OUTER DIMENSIONS OF INSULATION: MAX. Ø3,2 MM
- 2 SUITABLE HOOD SIZE 4: SERIES HB, HD, HIP, EMV
SUITABLE INSERTION AND EXTRACTION TOOL:
SCREWDRIVER 0,5x3 DIN 5264
- 3 Strip length: Screw connection 10mm
Spring clamp connection 10mm Crimp connection 7.5mm
- 4 STANDARDS:
DIN EN 61984; DIN EN 60664-1
- 5 PACKAGING:
5 SETS IN A CARTON, PRE-MOUNTED
- 6 SPECIAL PACKAGING: Krauss-Maffei
PACKAGING UNIT: 250 PIECES

OBSOLETE	OBSOLETE	OBSOLETE	OBSOLETE	SUPERSEDED BY T204-0103101-000	SUPERSEDED BY T204-0104101-000	OBSOLETE												
			4							fixing screw	stainless steel	even		10	M3x10			
	4		4	4	4	4	4	4	4	fixing screw	steel	nickel plated	blue	9	M3x10			
	10									contact spring clamp	brass	gold plated		8				
									10	contact pin	brass	silver plated		7				
									10	contact screw termination	brass	gold plated		6				
		10	10							contact screw termination	brass	silver plated		5				
									1	cover spring version			light grey	4				
									1	cover crimp version			light grey	3				
			1	1	1				1	cover screw version			light grey	2				
			1	1	1	1	1	1	1	pin insert			light grey	1				
0-3	0-2	0-1	9-5	7-1	2-3	1-7	1-1			DESCRIPTION / BENENNUNG	MATERIAL	SURFACE	COLOR	ITEM NO. POS.	NOTES			



ORDERING TEXT / BESTELL TEXT

THIS DRAWING IS A CONTROLLED DOCUMENT.
DIESE ZEICHNUNG IST EIN KONTROLLIERTES DOKUMENT.

DIMENSIONS: MASSE/NEIHEN: mm
TOLERANCES UNLESS OTHERWISE SPECIFIED: ALLGEMEINTOLERANZEN

0 PLC	±	0.150/0.215
1 PLC	±	0.150/0.215
2 PLC	±	0.150/0.215
3 PLC	±	0.150/0.215
4 PLC	±	0.150/0.215
ANGLES / WINKEL	±	0.150/0.215

MATERIAL: -
FINISH/OBERFLAECHE/FARBE: -

DWN Gräf 10.02.1999
CHK Schweiger 18.02.1999
APVD -
PRODUCT SPEC PRODUKTSPEZ.
APPLICATION SPEC VERARBEITUNGSSPEZ.

TE Connectivity

Male insert
HE.10.STI.S/C

SIZE A3	CAGE CODE 00779	DRAWING NO. ZEICHNUNGS-NR. C-1103636	RESTRICTED TO NUR FUER -
---------	-----------------	--------------------------------------	--------------------------

单击下面可查看定价，库存，交付和生命周期等信息

[>>TE Connectivity\(泰科\)](#)