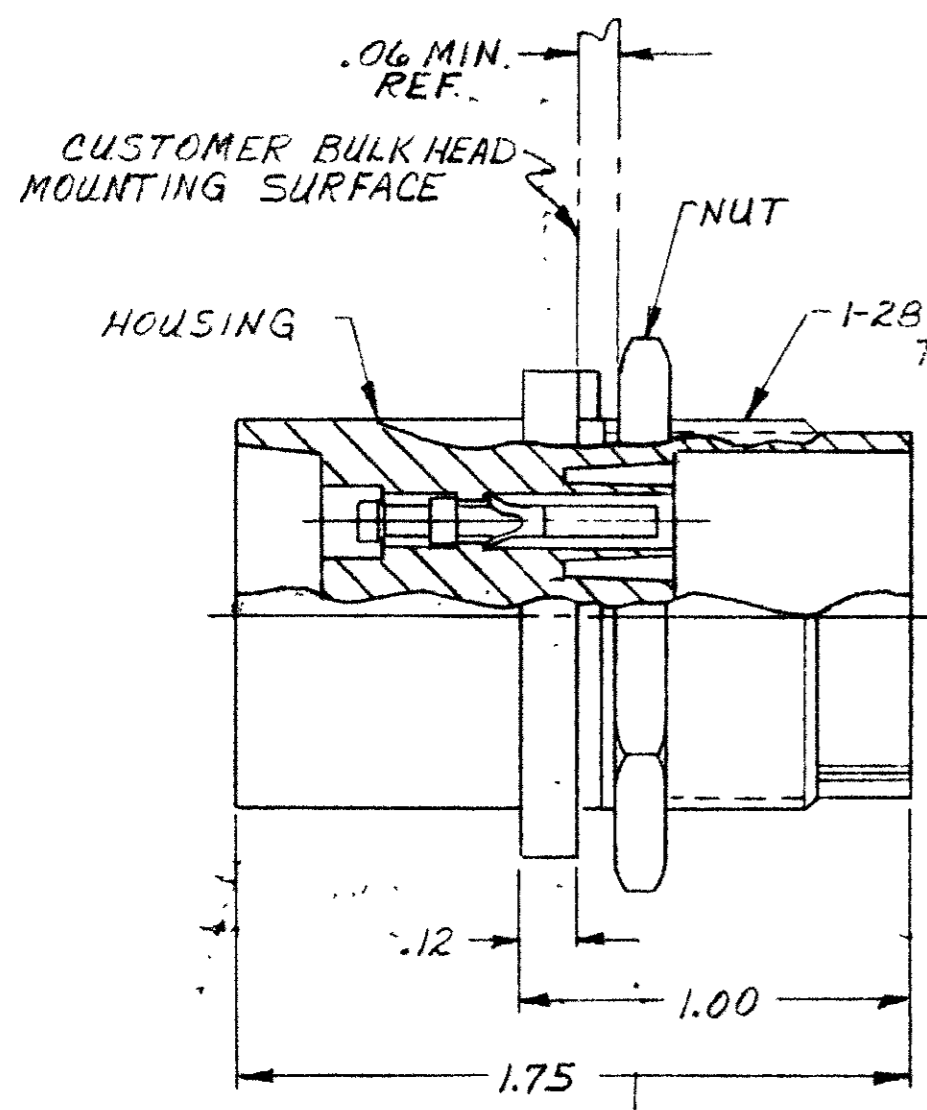


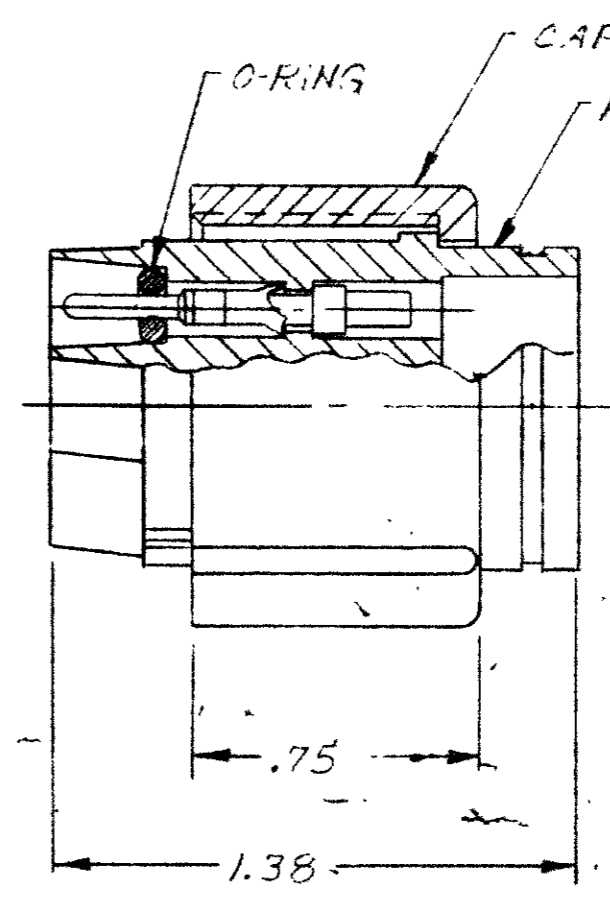
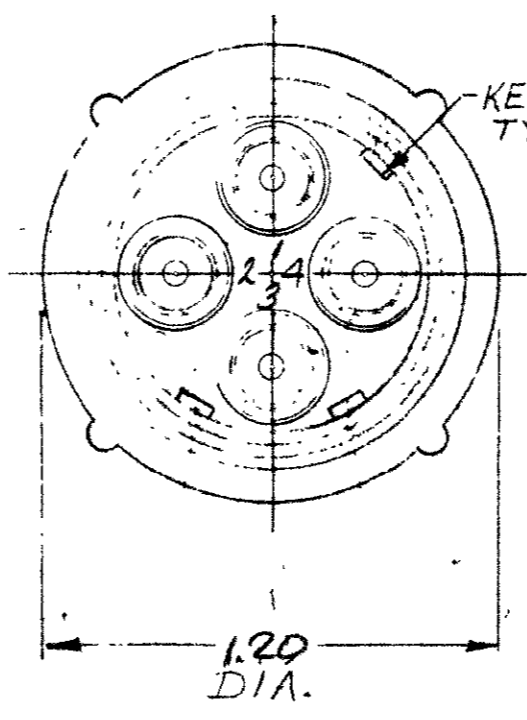
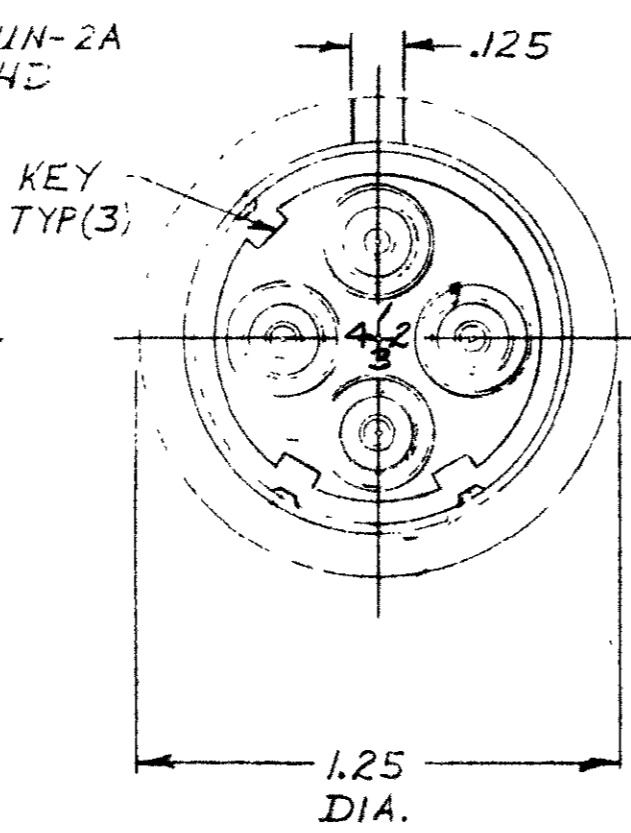
© 1966 BY AMP INCORPORATED. ALL RIGHTS RESERVED. AMP PRODUCTS COVERED BY PATENTS AND/OR PATENTS PENDING.

THIS PRODUCT DESIGNED AND BUILT BY AMP INCORPORATED. NO LICENSE TO USE THAT DESIGN IN MANUFACTURE, OR TO USE ANY ISSUED OR PENDING PATENTS WHICH ARE INVOLVED, IS IMPLIED.

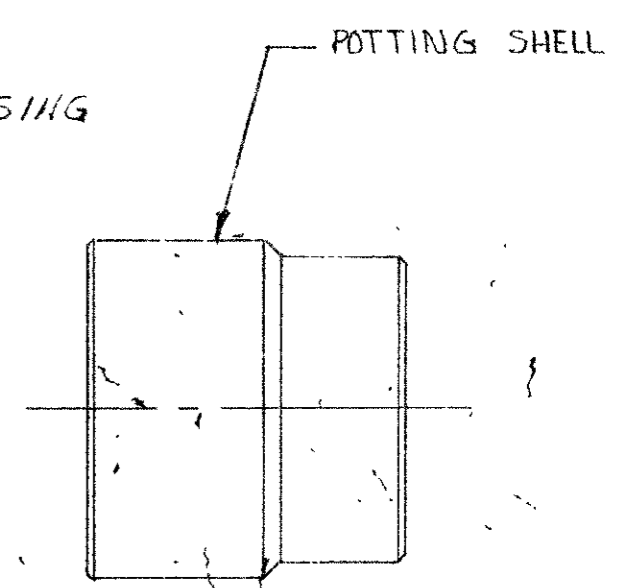
REVISIONS				
ZONE	LTR	DESCRIPTION	DATE	APPROVED
B-3	A	REV. P/N 859526 WAS -1, -2, -3	7/26/77	M.G.
	B	REV. P/N 0419-120-04	10-04	CT



RECEPTACLE



PLUG

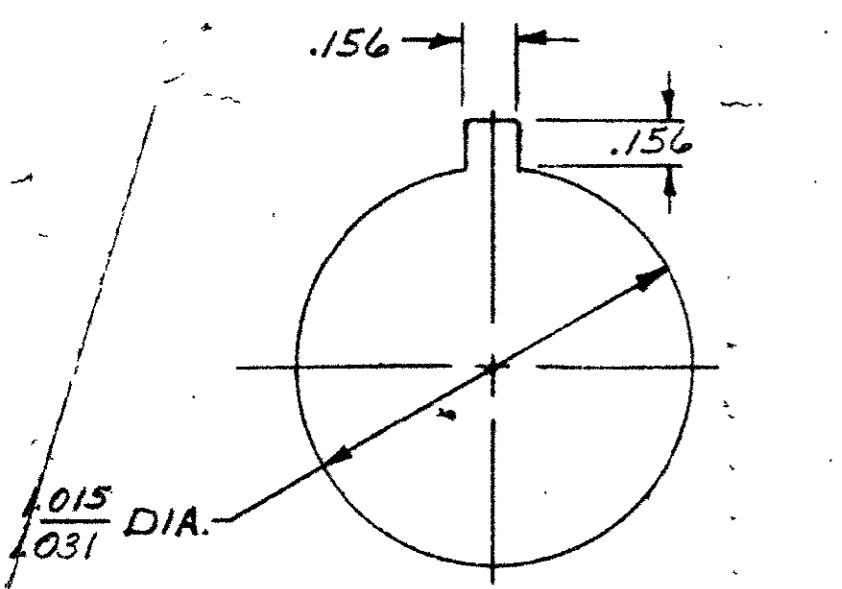


POTTING SHELL

AMP P/N	RECEPTACLE	PLUG	WIRE SIZE RANGE	HAND TOOL
863017-1	859526-4	863022-1	20, 22, 24	45099
863017-2	859526-5	863022-2	18, 16	45098
863017-3	859526-6	863022-3	14	45093

NOTE:

- 1. PINS & SOCKETS SUPPLIED SEPARATELY IN PLASTIC BAG.
- 2. TYPE II PINS & SOCKETS TO ACCEPT ONE (1) 20 AWG, (1) 22 AWG, OR (1) 24 AWG STRANDED WIRE
- 3. TYPE II PINS & SOCKETS TO ACCEPT ONE (1) 16 AWG OR (1) 18 AWG STRANDED WIRE
- 4. TYPE II PINS & SOCKETS TO ACCEPT ONE (1) 14 AWG STRANDED WIRE.



RECOMMENDED PANEL CUTOUT

QTY REQD	QTY REQD	ITEM NO.	DWG SIZE	PART OR IDENTIFYING NO.	NOMENCLATURE OR DESCRIPTION	SYMBOL
-2	-1					

UNLESS OTHERWISE SPECIFIED: DIMENSIONS ARE IN INCHES TOLERANCES		CONTRACT NO.		 AMP INCORPORATED CAPITRON DIVISION ELIZABETHTOWN, PENNSYLVANIA		
.00 ±	ANGLES =	DR	DICK STONE 3-1-76			
.000 ±		CHK				
MATERIAL:		APPD		4 PIN PLUG & RECEPTACLE KIT		
MOLDED PLASTIC		APPD				
FINISH:		DSGN APPD		SIZE		
BLACK		OTHER APPD		C		
NEXT ASSY	FINAL ASSY	NEXT ASSY	USED ON	CODE IDENT NO.	NUMBER	REV B
				00779	863017	
QTY REQD	APPLICATION			SCALE	WT	SHEET
				2-1		10/11

单击下面可查看定价，库存，交付和生命周期等信息

[>>TE Connectivity\(泰科\)](#)