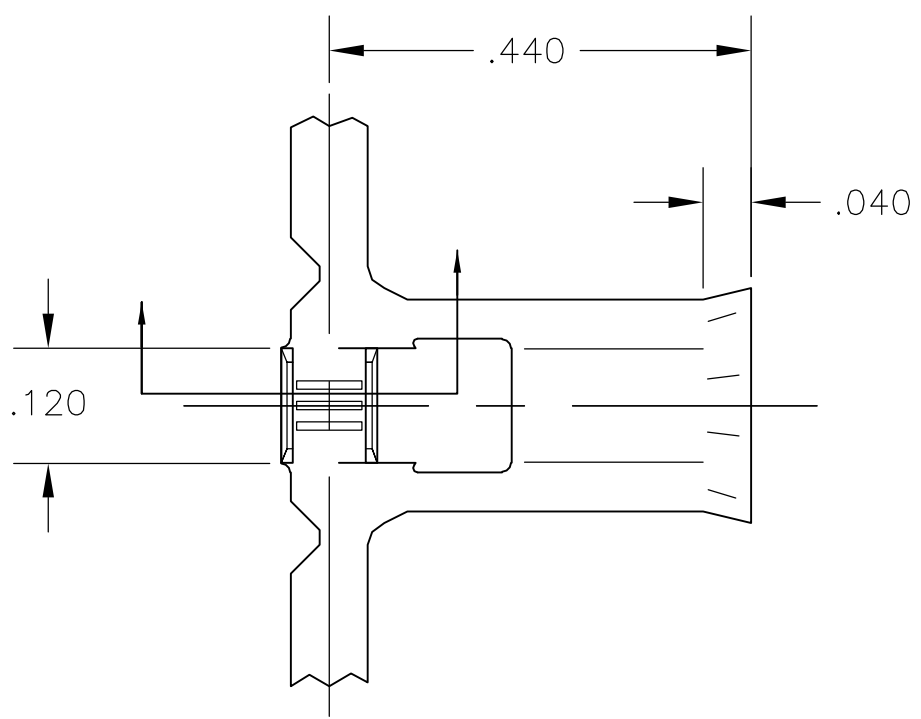


THIS DRAWING IS UNPUBLISHED. RELEASED FOR PUBLICATION  
 © COPYRIGHT BY TYCO ELECTRONICS CORPORATION. ALL RIGHTS RESERVED.

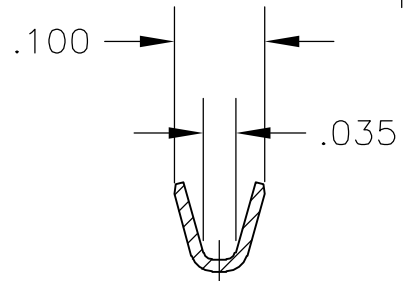
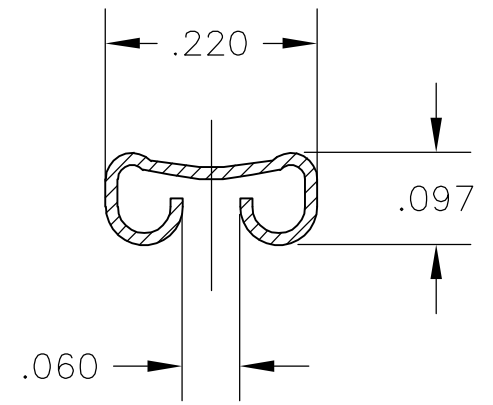
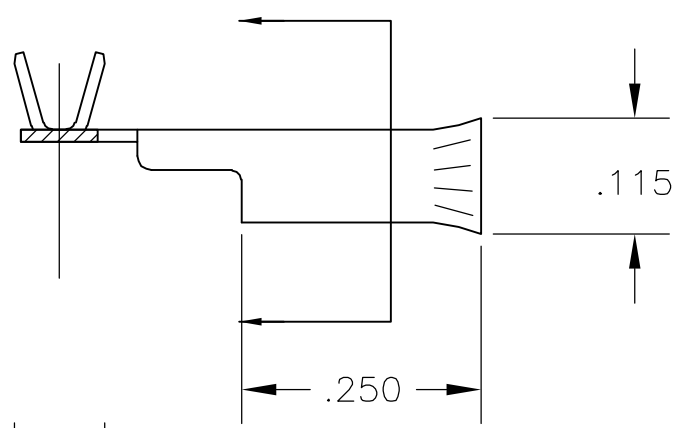
LOC	DIST	REVISIONS					
AF	50	P	LTR	DESCRIPTION	DATE	DWN	APVD
			E2	REACTIVATE PER ECR 05-016922	01/DEC/05	JR	PD



- CONTINUOUS STRIP ON REELS
- WIRE SIZE IS #22-#18 AWG
- MATING TAB THK IS .025±.001

4 GAGE 679717-44

INSERTION / EXTRACTION REQUIREMENTS	1ST ON LBS MAX	1ST OFF LBS MIN	6TH OFF LBS MIN
	7	2	2



63188-1  
 PART NO

THIS DRAWING IS A CONTROLLED DOCUMENT.		DWN	jr ruth	1/DEC/05	<b>tyco</b> Electronics	Tyco Electronics Corporation Harrisburg, PA 17105-3608	
DIMENSIONS: INCHES		CHK	P DESANTIS	01/DEC/05		NAME FASTON, FLAG, .187 SERIES	
TOLERANCES UNLESS OTHERWISE SPECIFIED:		APVD	P DESANTIS	01/DEC/05	PRODUCT SPEC		
0 PLC ± -		APPLICATION SPEC		SIZE			RESTRICTED TO
1 PLC ± -		WEIGHT		CAGE CODE			A3 00779
2 PLC ± -		CUSTOMER DRAWING		DRAWING NO			
3 PLC ± .010		SCALE		SHEET			1 OF 1
4 PLC ± -		5:1		REV			
ANGLES ± 5°		SCALE		REV			E2
MATERIAL: BRASS		FINISH: PRE-TIN		SCALE: 5:1			

单击下面可查看定价，库存，交付和生命周期等信息

[>>TE Connectivity\(泰科\)](#)