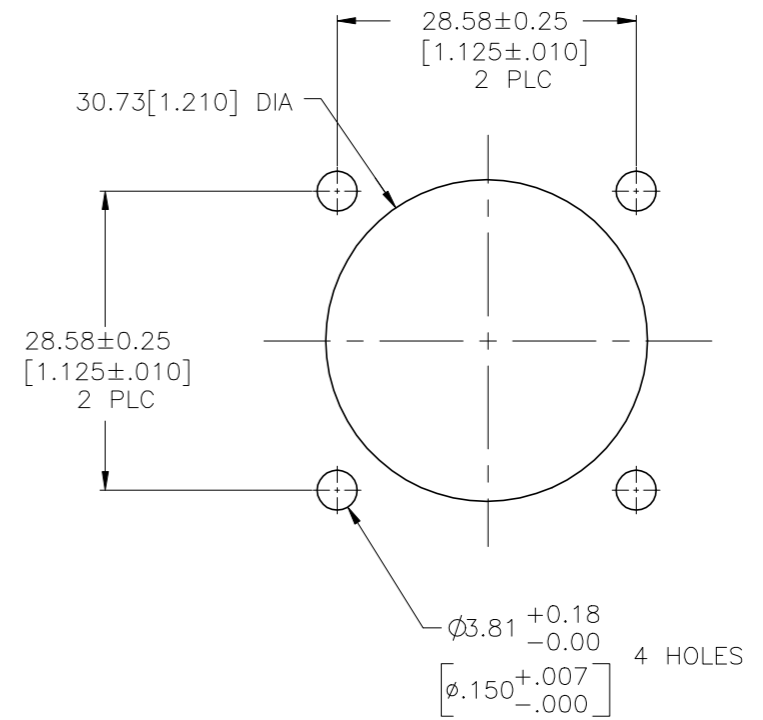
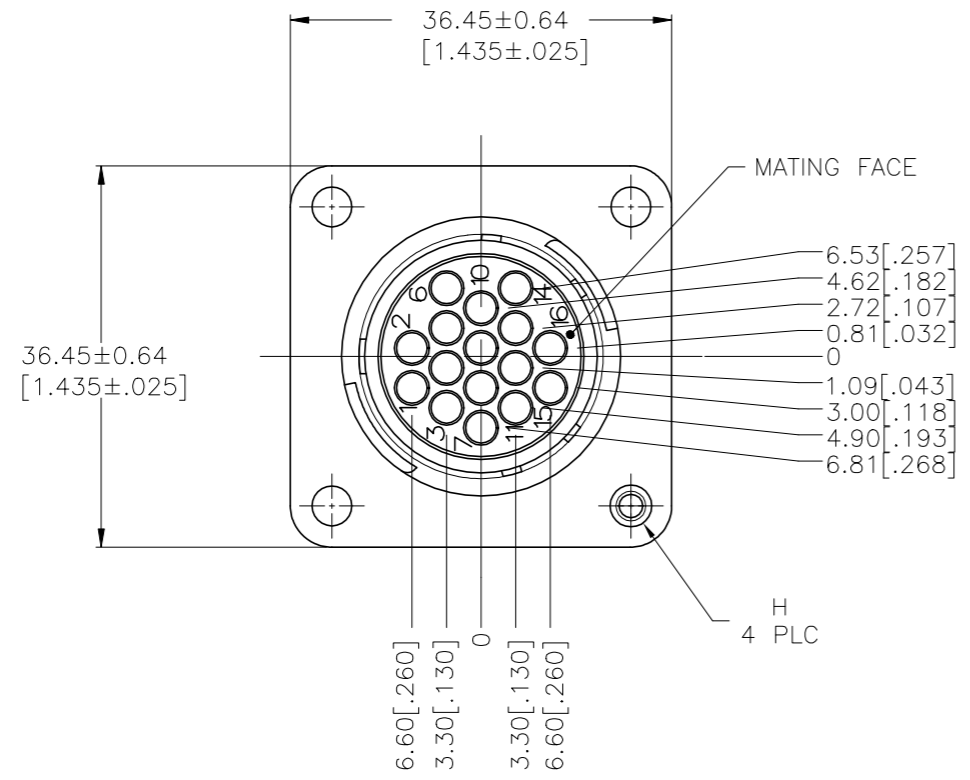
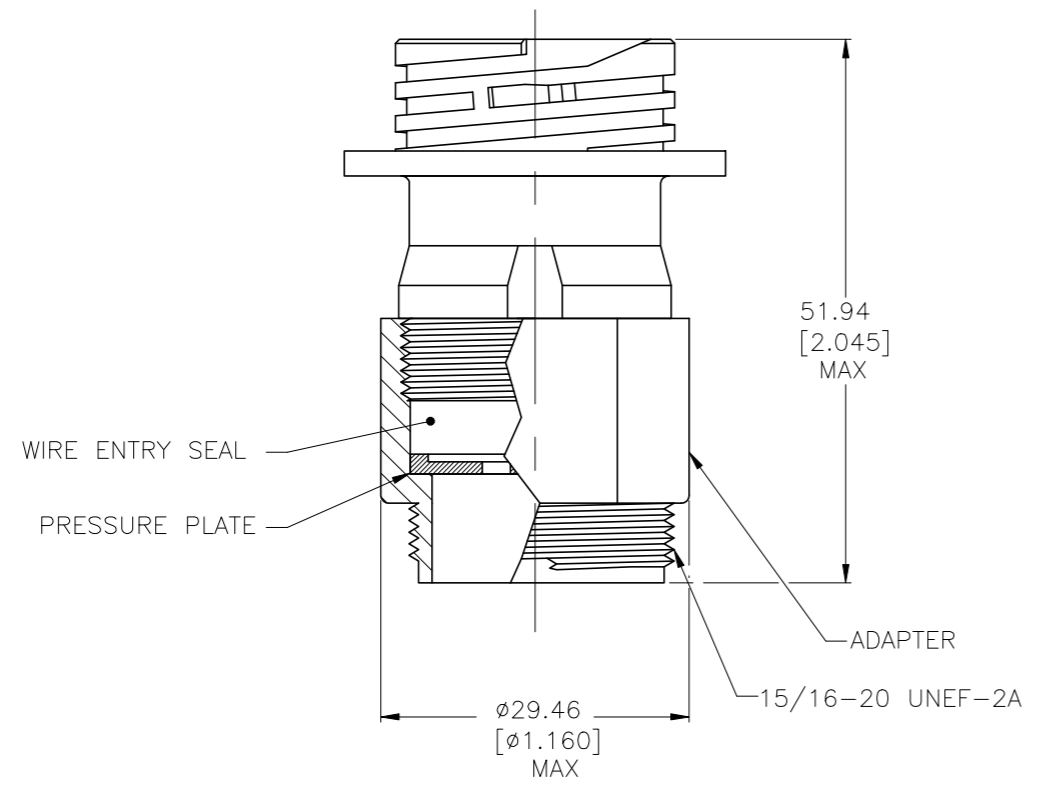


| REVISIONS | | | | | |
|-----------|-----|---------------------------|-----------|-----|------|
| P | LTR | DESCRIPTION | DATE | DWN | APVD |
| D | | REVISED PER ECO-16-006378 | 03NOV2016 | RS | MZ |
| E | | REVISED PER ECR-16-016563 | 07DEC2016 | RS | MZ |
| F | | REVISED PER ECO-19-011232 | 06AUG2019 | RS | MZ |



RECOMMENDED PANEL CUTOUT



1 HOUSING, ADAPTER AND PRESSURE PLATE: NYLON, BLACK.
 WIRE ENTRY SEAL: ELASTOMER, SEE TABLE.
 PERIPHERAL SEAL: ELASTOMER, BLACK.

2 CONNECTOR WILL ACCEPT (16) MULTIMATE PIN CONTACTS.

| OBSOLETE | W/ 4-40 THREADED INSERT | RED-IRON OXIDE | .065 - .100 | STANDARD | -796275-3- |
|----------|--------------------------|----------------|--------------------------------|------------|-------------|
| | 3.18±0.07 [.150±.003] | YELLOW | .040 - .080 | SMALL | 796275-2 |
| | 3.18±0.07 [.150±.003] | RED-IRON OXIDE | .065 - .100 | STANDARD | 796275-1 |
| | H | SEAL COLOR | WIRE INSULATION DIAMETER RANGE | INSULATION | PART NUMBER |

| | | | | | |
|--|--|------------------------------------|--|-----------|------------|
| THIS DRAWING IS A CONTROLLED DOCUMENT. | | DWN L. McEACHIN 27-JAN-2000 | TE Connectivity | | |
| DIMENSIONS: mm [INCHES] | | CHK K. DOWHOWER 27-JAN-2000 | | | |
| TOLERANCES UNLESS OTHERWISE SPECIFIED: | | APVD K. DOWHOWER 27-JAN-2000 | NAME ASSEMBLY, RECEPTACLE, STANDARD SEX, 17-16, STANDARD OR SMALL INSULATION DIA., SEALED | | |
| 0 PLC ± - | | PRODUCT SPEC | SIZE | CAGE CODE | DRAWING NO |
| 1 PLC ± - | | APPLICATION SPEC | A2 | 00779 | C=796275 |
| 2 PLC ± - | | WEIGHT | RESTRICTED TO | | |
| 3 PLC ± - | | CUSTOMER DRAWING | SCALE 2:1 SHEET 1 of 1 REV F | | |
| 4 PLC ± - | | | | | |
| ANGLES ± - | | | | | |
| FINISH | | | | | |

单击下面可查看定价，库存，交付和生命周期等信息

[>>TE Connectivity\(泰科\)](#)