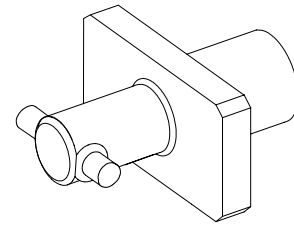




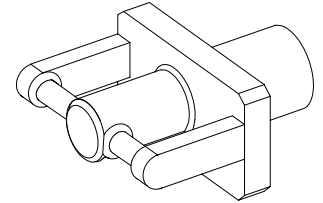
REVISIONS			
LTR	DESCRIPTION	DATE	APPROVED
A	REVISED PER ECN T-24365	28FEB00	T. SEATON

NOTES:

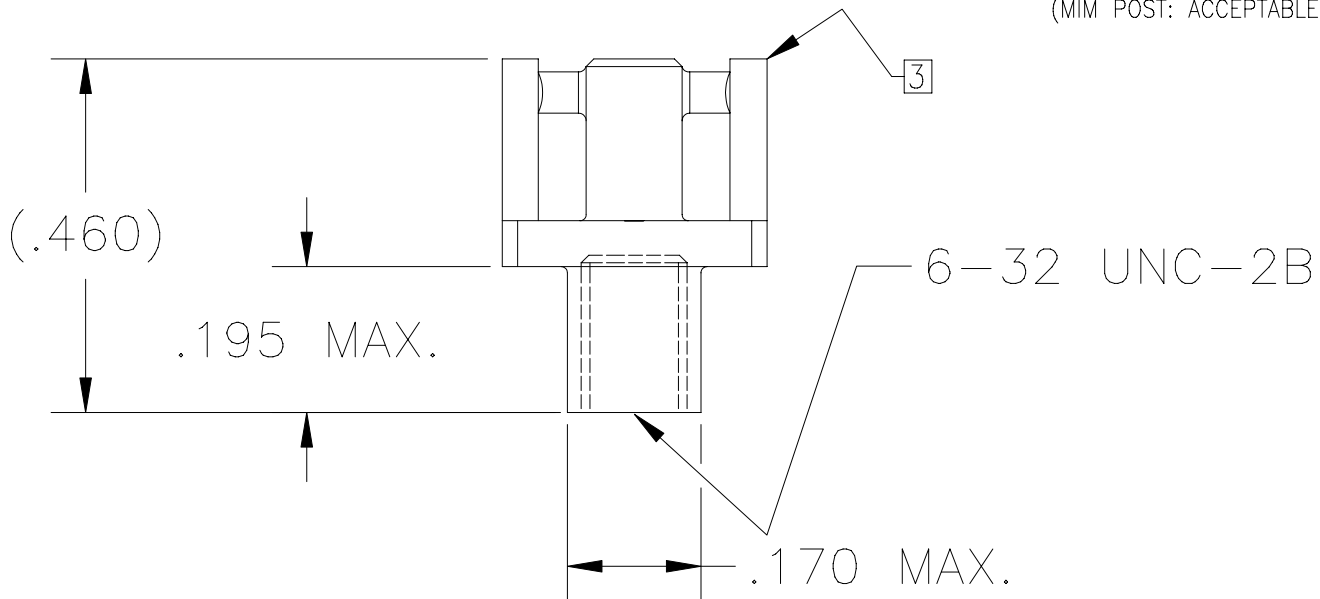
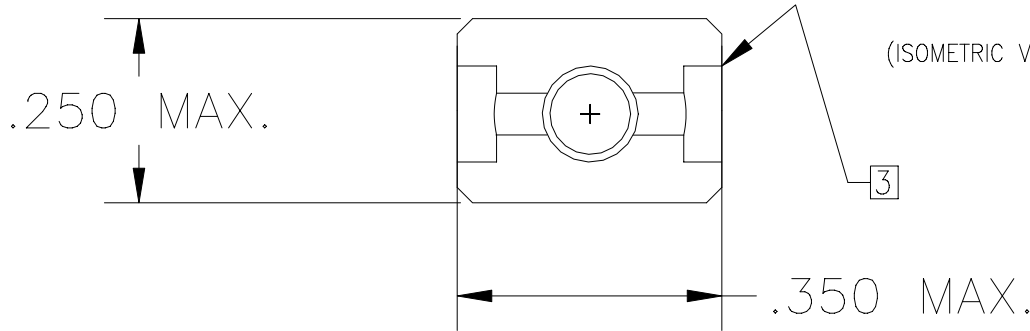
1. MATERIAL: STAINLESS STEEL, PER AISI 17-4 PH.
2. FINISH: NICKEL TEFLON PLATING PER ES-22901.
3. SIDE PLATES OPTIONAL.



(ISOMETRIC VIEW FOR REFERENCE ONLY)



(MIM POST: ACCEPTABLE ALTERNATE)



If this document is printed it becomes uncontrolled.
Check with the web for latest revision.

SPECIFICATION CONTROL DRAWING

UNLESS OTHERWISE SPECIFIED
DIMENSIONS ARE IN INCHES.
METRIC DIMENSIONS ARE
IN BRACKETS.

DECIMALS
.XXX ± .005 [mm]
.XX ± .01 [mm]
ANGLES
.X ± 1°

WEIGHT
lbs [1.2 g]

DRAWN	T. SEATON	11JUN97
CHECKED		
APPROVED	P. DUTTON	11JUN97
PCN	294001-000	
CAD NAME	T24365.DWG	
THIRD ANGLE PROJECTION		

Raychem

RAYCHEM CORPORATION
300 CONSTITUTION DRIVE
MENLO PARK, CALIFORNIA 94025

TITLE
POST
MTC100Q RECEPTACLE
.063 MAX. PANEL THICKNESS

SIZE A	CODE IDENT. NO. 06090	DWG. NO. CHA-0297	REV A
-----------	--------------------------	----------------------	----------

DO NOT SCALE THIS DRAWING

SHEET 1 OF 1

单击下面可查看定价，库存，交付和生命周期等信息

[>>TE Connectivity\(泰科\)](#)