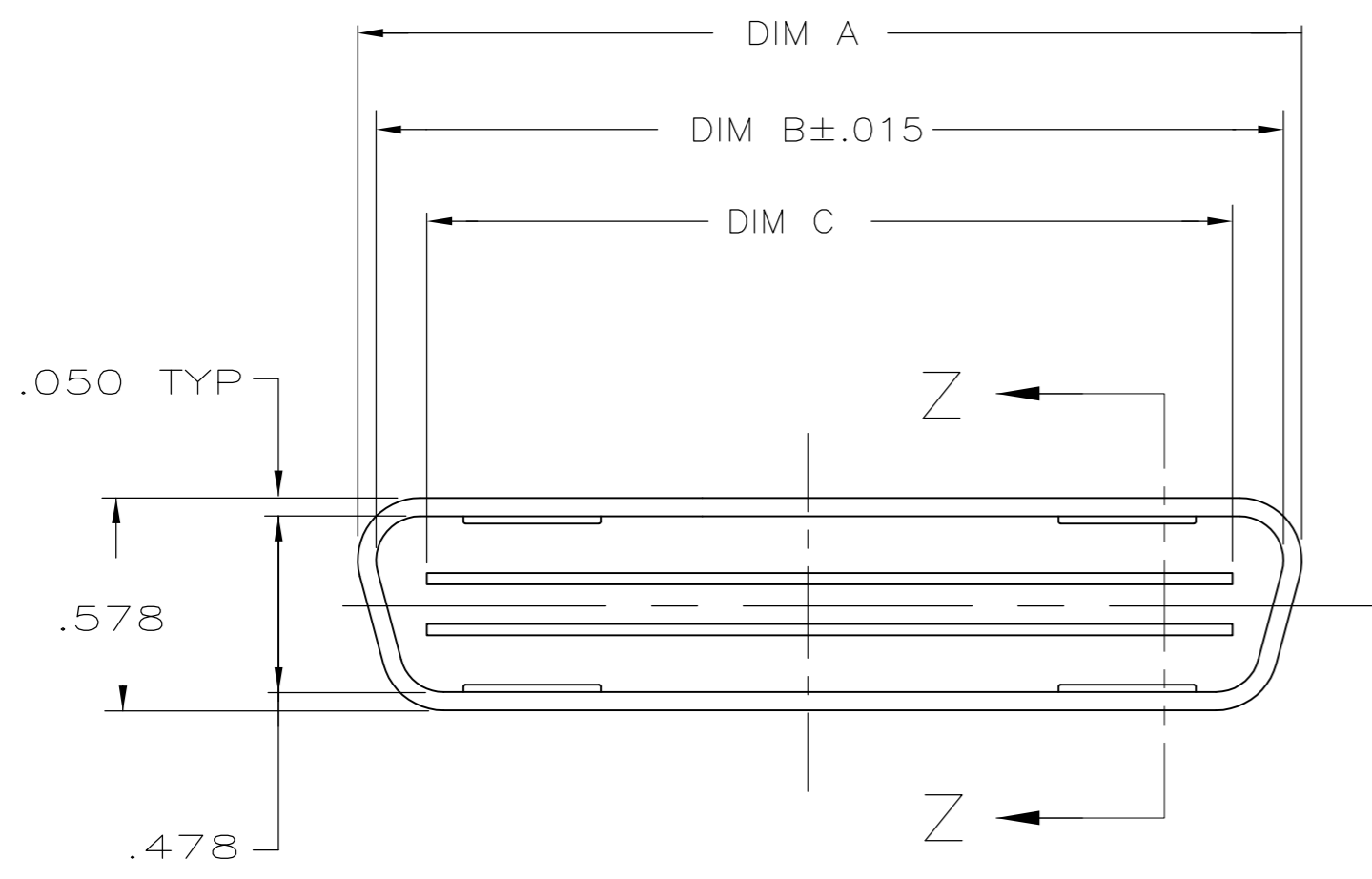
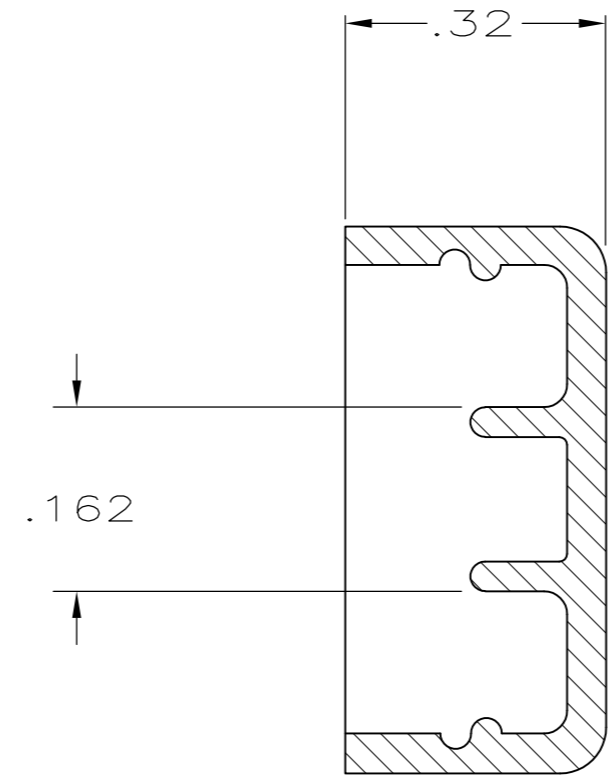


THIS DRAWING IS UNPUBLISHED. RELEASED FOR PUBLICATION  
 © COPYRIGHT - By - ALL RIGHTS RESERVED.

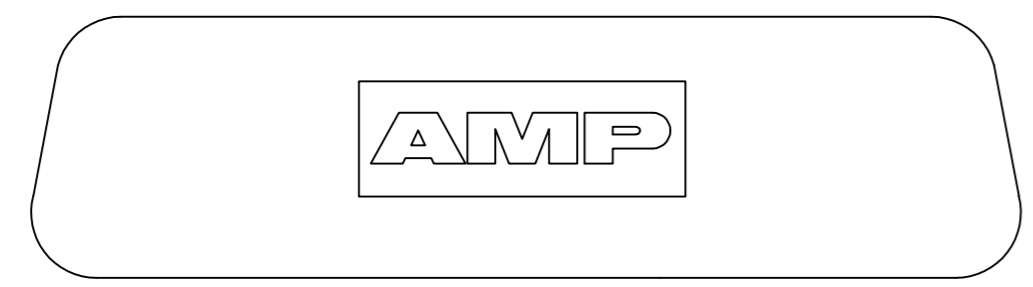
LOC	DIST	REVISIONS			
P	LTR	DESCRIPTION	DATE	DWN	APVD
AA	40				
		K1 REVISED PER ECO-11-004835	11MAR11	RK	HMR



1. ALL DIMENSIONS SHOWN ARE FOR REFERENCE ONLY UNLESS OTHERWISE SPECIFIED.
- △ THERMOPLASTIC, COLOR: RED.



SECTION Z-Z  
SCALE 4:1



OBSOLETE	.662	1.012	1.112	14	229969-5
	1.087	1.437	1.537	24	229969-4
	1.597	1.947	2.047	36	229969-3
	2.787	3.137	3.237	64	229969-2
	2.192	2.542	2.642	50	229969-1
	DIM. C	DIM. B	DIM. A	POSITION	PART NO.

THIS DRAWING IS A CONTROLLED DOCUMENT.

DIMENSIONS: mm [INCHES]	TOLERANCES UNLESS OTHERWISE SPECIFIED: 0 PLC ± - 1 PLC ± - 2 PLC ± .02 3 PLC ± .005 4 PLC ± - ANGLES ± -	FINISH -	DWN GP. MACARTHUR 15 MAR 94 CHK N. JONES 18 MAR 94 APVD J. TRAMMEL 21 MAR 94	NAME TE Connectivity
MATERIAL △	PRODUCT SPEC -	APPLICATION SPEC -	WEIGHT -	SIZE A2
CUSTOMER DRAWING			SCALE 2:1	CAGE CODE 00779
			DRAWING NO. C=229969	RESTRICTED TO -
			SHEET 1 of 1	REV K1

单击下面可查看定价，库存，交付和生命周期等信息

[>>TE Connectivity\(泰科\)](#)