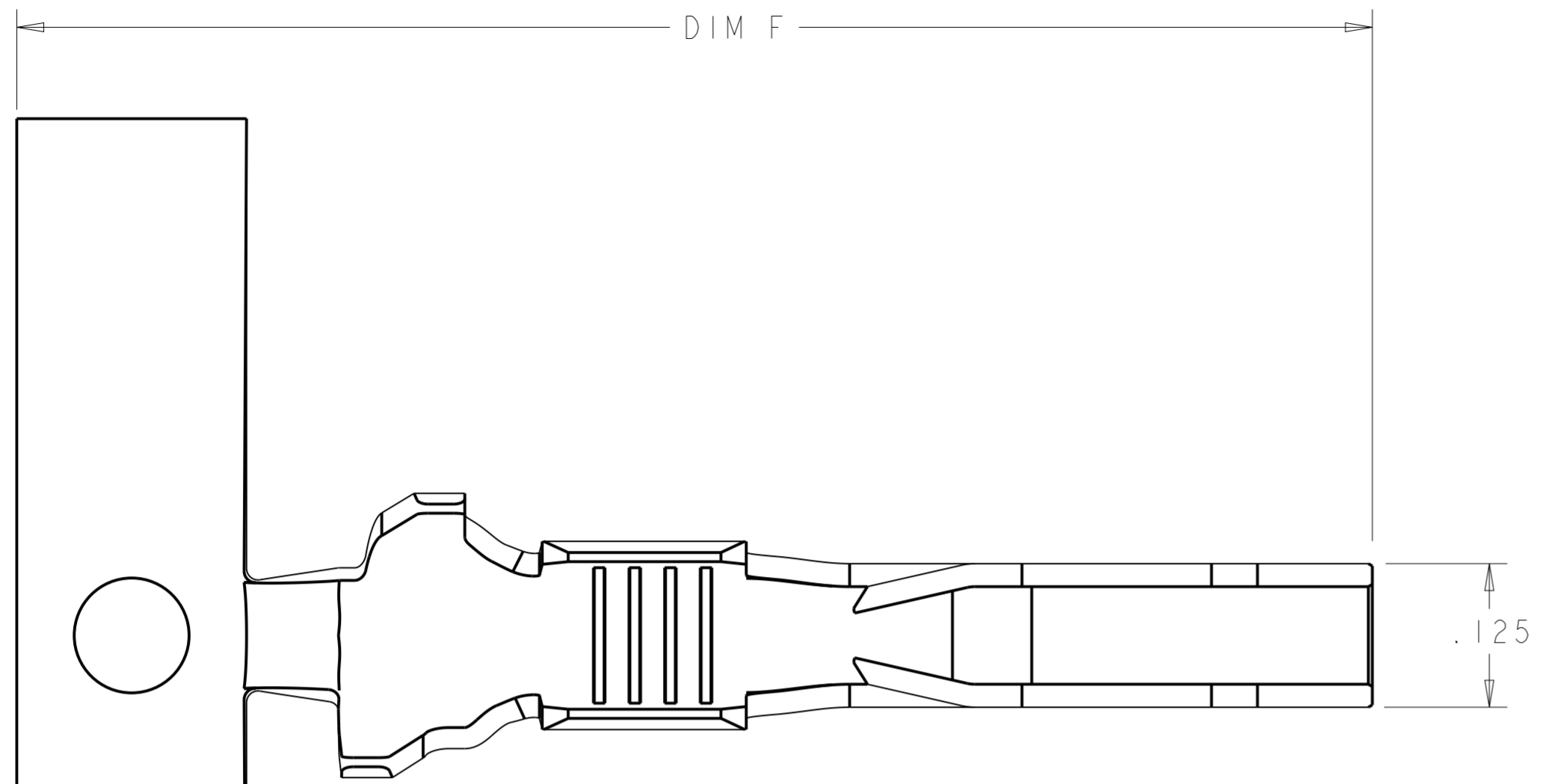
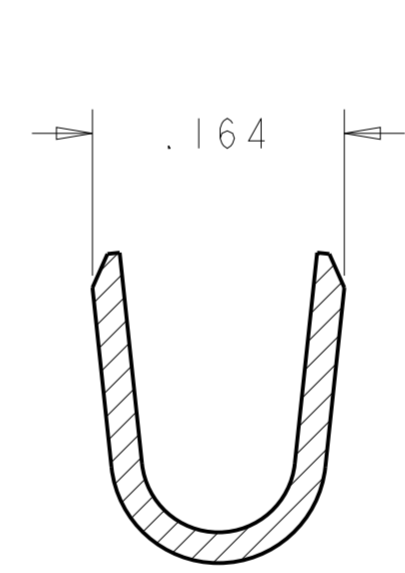
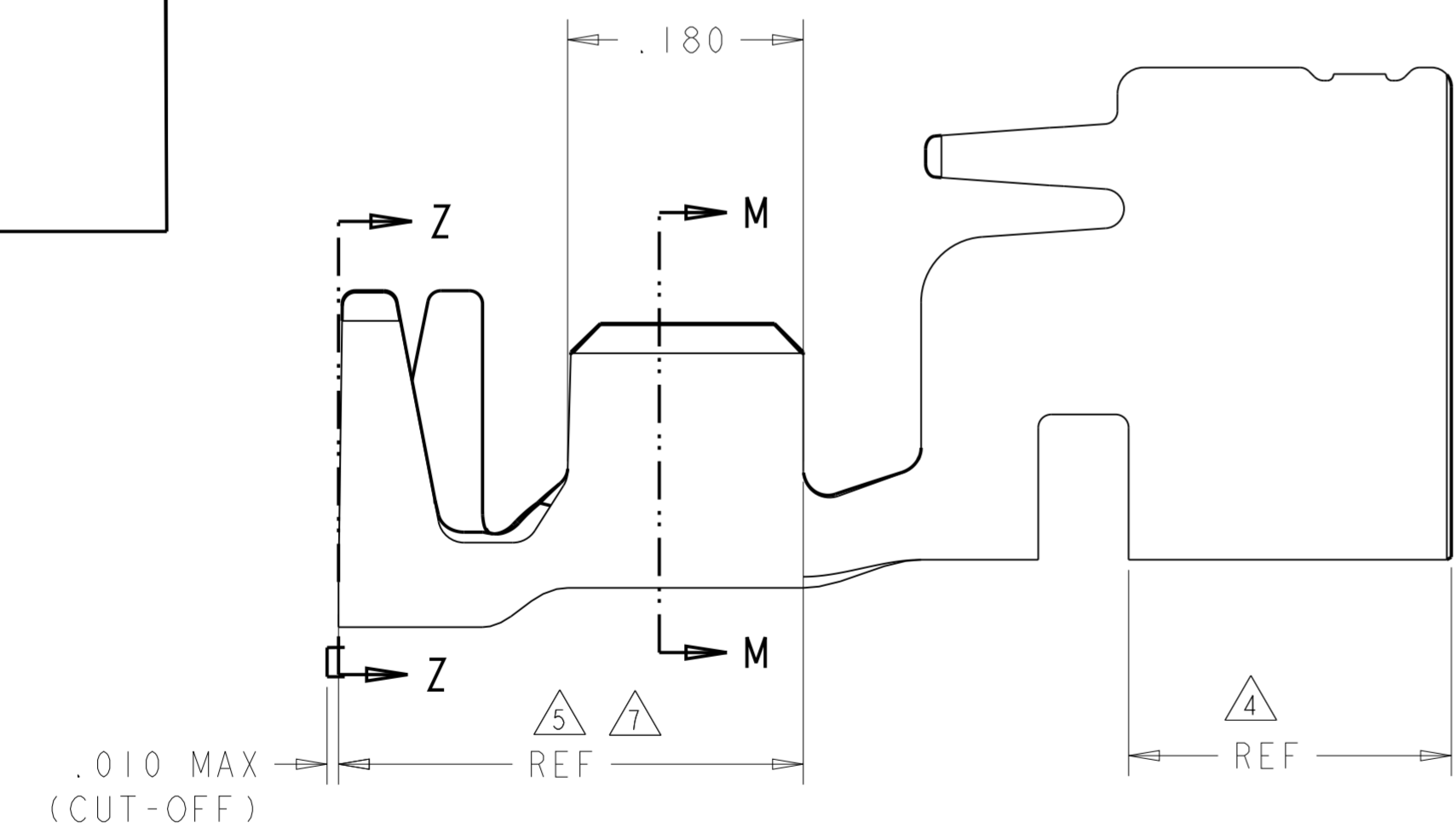


THIS DRAWING IS UNPUBLISHED. RELEASED FOR PUBLICATION 20
 © COPYRIGHT 20 BY TYCO ELECTRONICS CORPORATION. ALL RIGHTS RESERVED.

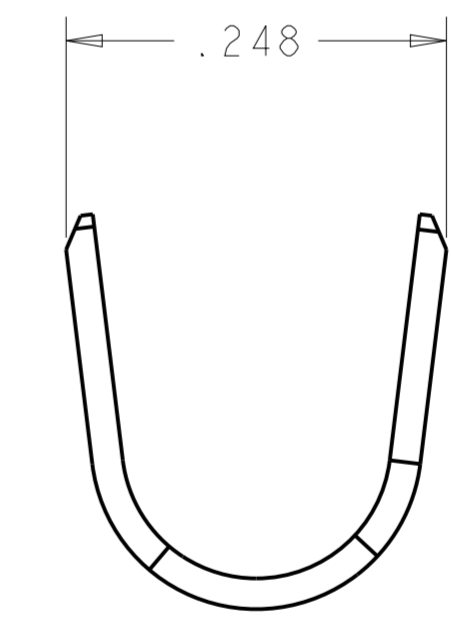
LOC	DIST	REVISIONS					
GP	00	P	LTR	DESCRIPTION	DATE	DWN	APVD
		I		REV PER OS12-0055-05	25JAN2005	RG	PA
		A		REV PER OS15-0019-05	05APR2005	RG	PD
		B		REV PER OS15-0090-05	13MAY2005	RG	PD
		BI		REV PER ECO-14-002957	28FEB2014	OL	SZ



1. WIRE RANGE: 12 - 14 AWG
2. INSULATION RANGE: .120 - .176
3. FINISH: NICKEL PLATE ALL OVER 0.000050 MIN THICK
4. FINISH: NOBLE METAL PLATING ON CONTACT FUNCTIONAL AREA
5. FINISH: TIN IN AREA INDICATED 0.000050 - 0.000100 THK.
6. MATERIAL: HIGH CONDUCTIVITY COPPER ALLOY
7. FINISH: TIN-LEAD IN AREA INDICATED 0.000050 - 0.000100 THK



SECTION M-M



SECTION Z-Z

1.135	3 4 5	STD	1-1600961-8
1.185	3 4 5	MFBL	1-1600961-7
1.135	3 4 7	STD	1-1600961-0
1.185	3 4 7	MFBL	1600961-9
DIM F REF	FINISH	DESCRIPTION	PART NUMBER

<small>THIS DRAWING IS A CONTROLLED DOCUMENT FOR TYCO ELECTRONICS CORPORATION. IT IS SUBJECT TO CHANGE AND THE CONTROLLING ENGINEERING ORGANIZATION SHOULD BE CONTACTED FOR THE LATEST REVISION.</small>		DWN: 25 JAN 2005 R. GRZYBOWSKI CHK: P. D'AMATO APVD: P. D'AMATO	tyco Electronics Tyco Electronics Harrisburg, PA 17105-3608
DIMENSIONS: INCHES 	TOLERANCES UNLESS OTHERWISE SPECIFIED: 0 PLC ± 1 PLC ±.10 2 PLC ±.05 3 PLC ±.0020 4 PLC ±.0020 ANGLES ± FINISH	PRODUCT SPEC: 108-2157 APPLICATION SPEC: 114-13112 WEIGHT: -	NAME: VERTICAL BULKHEAD CABLE RECEPTACLE POWER CONTACT MULTI-BEAM XL SIZE: A2 CAGE CODE: 00779 DRAWING NO: C-1600961 RESTRICTED TO: -
MATERIAL: -	FINISH: -	CUSTOMER DRAWING	SCALE: 8:1 SHEET 1 OF 1 REV: BI

单击下面可查看定价，库存，交付和生命周期等信息

[>>TE Connectivity\(泰科\)](#)