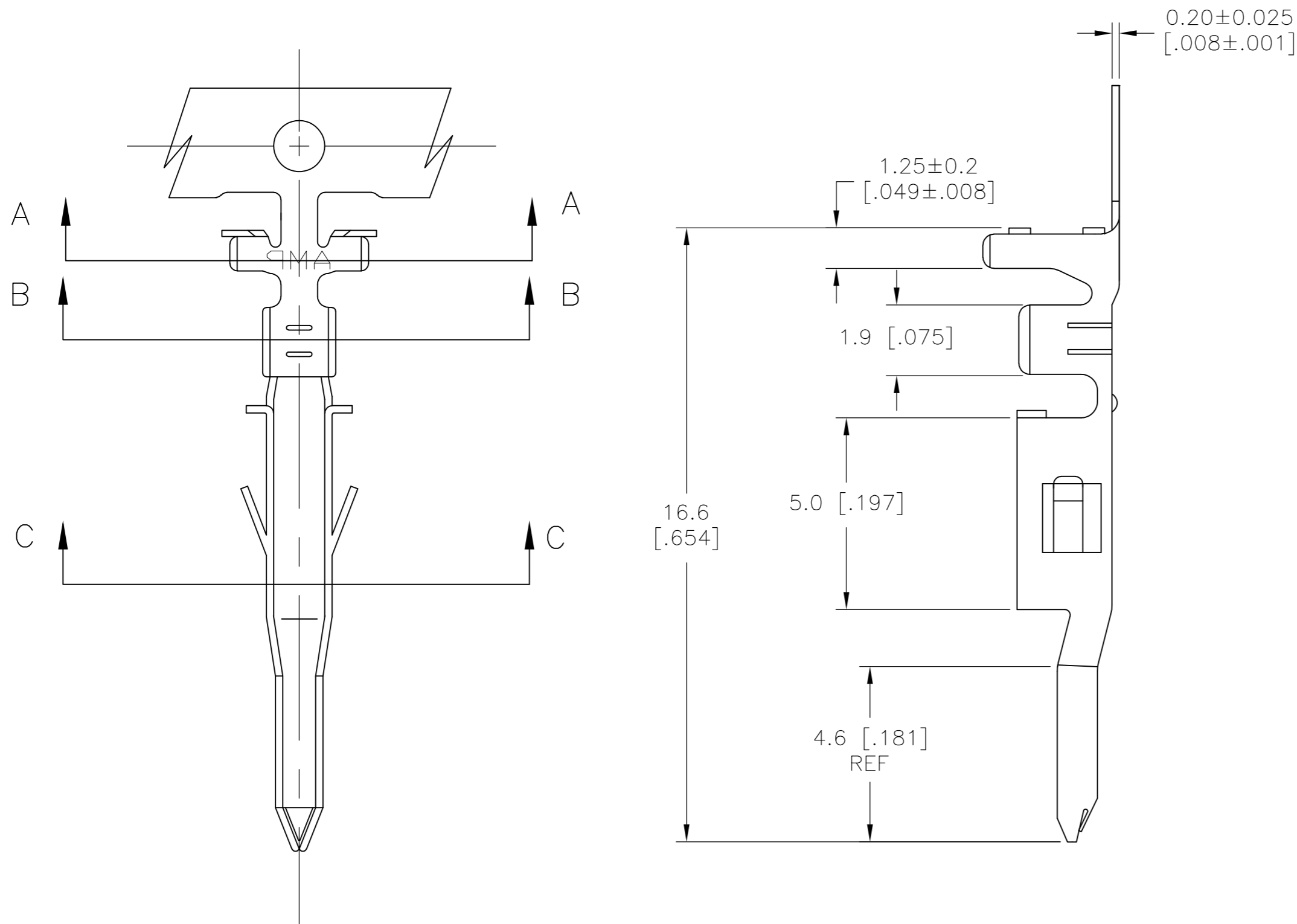
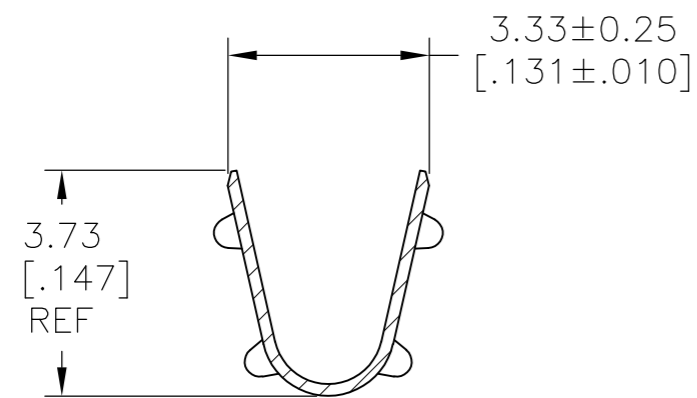


THIS DRAWING IS UNPUBLISHED. RELEASED FOR PUBLICATION
 © COPYRIGHT - By - ALL RIGHTS RESERVED.

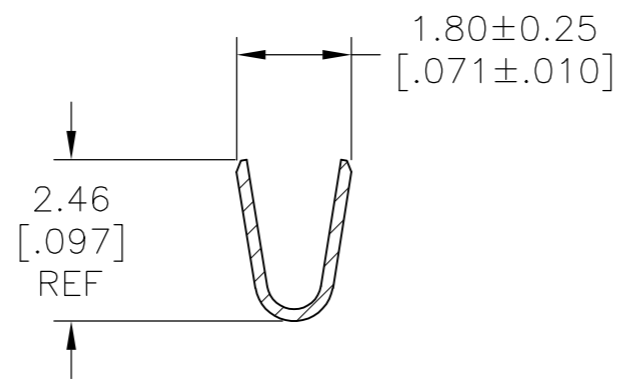
REVISIONS					
P	LTR	DESCRIPTION	DATE	DWN	APVD
A		FIRST RELEASED	15AUG2017	WH	DZ



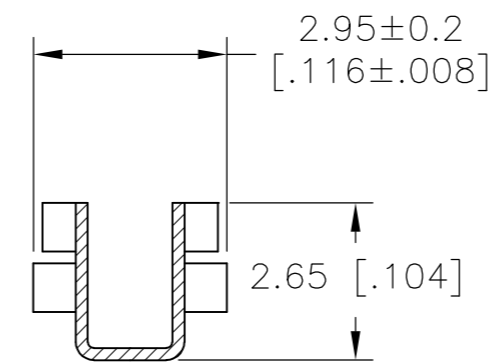
- 1 WIRE RANGE 0.3-0.82mm² [22-18 AWG]
- 2 INSULATION RANGE: DIA 1.50-3.10 mm [.060-.122 in]
- △ 3 FINISH: 2.54µm [.0001 in] MINIMUM PRE-TIN ALL OVER.
- 4 MATING PART: 2825211-1 (STRIP TYPE) OR 2825213-1 (LOOSE TYPE)



SECTION A-A



SECTION B-B



SECTION C-C

PRE-TIN △ 3	HIGH PERFORMANCE COPPER ALLOY	2825210-1
FINISH	MATERIAL	PART NO.

THIS DRAWING IS A CONTROLLED DOCUMENT.		DWN WARREN HUO 15AUG2017		
DIMENSIONS: mm [INCHES]		CHK DANIEL ZHANG 15AUG2017		
TOLERANCES UNLESS OTHERWISE SPECIFIED:		APVD DANIEL ZHANG 15AUG2017	NAME	
0 PLC ± -		PRODUCT SPEC	PIN TERMINAL, VAL-U-LOK HCS	
1 PLC ± 0.25 [.010]		108-150000	SIZE	RESTRICTED TO
2 PLC ± 0.13 [.005]		APPLICATION SPEC	CAGE CODE	
3 PLC ± -		114-13172	DRAWING NO	
4 PLC ± -		WEIGHT	SCALE	
ANGLES ± -		0	N/A	
FINISH		CUSTOMER DRAWING	SHEET	
SEE TABLE			1 OF 1	
			REV	
			A	

2825210

单击下面可查看定价，库存，交付和生命周期等信息

[>>TE Connectivity\(泰科\)](#)