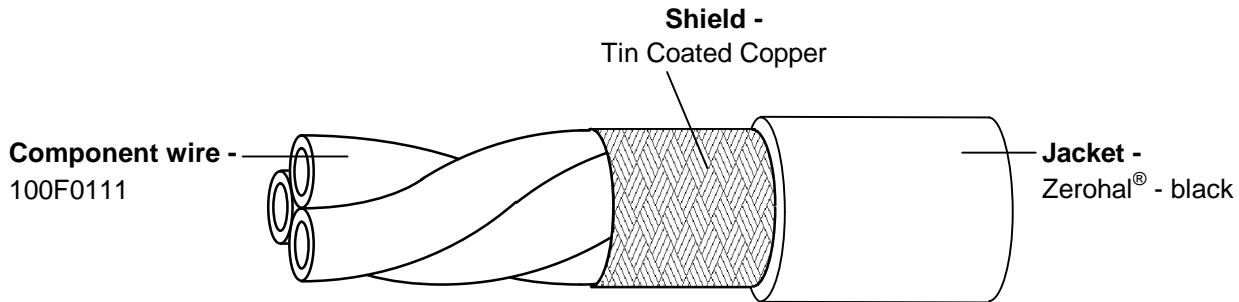


THREE CONDUCTOR CABLE, HALOGEN FREE, SHIELDED AND JACKETED  
250 VOLT AC IN ACCORDANCE WITH NF F 63-808, TEMPERATURE CLASSIFICATION 105°C  
(Suitable for use at an operating voltage of 750/1300 VOLTS AC)

The complete requirements for procuring the wire described herein shall consist of this document and NF F 63-808 Mai 1992



Part Description	NFF 63808 Designation	Cross Sectional Area (mm <sup>2</sup> )	Shield Size (mm)	Optical Shield Coverage Min.	Jacket Thickness (mm)		Overall Diameter (mm)			Weight (kg/km)	
					Min.	Nom.	Lower Spec Limit	Target	Upper Spec Limit	Nom.	Max.
100F1131-20	E 250-S-BLG-3 x 0.60-NFF 63808	0.60	0.13	93%	0.25	0.35	4.31	4.52	4.72	42.0	45.3
100F1131-18	E 250-S-BLG-3 x 0.93-NFF 63808	0.93	0.13	94%	0.25	0.35	4.79	5.03	5.23	56.2	59.8

**COLOUR CODE:** Insulation colour determined by conductor cross sectional area as defined by 100F0111 SCD.

**PERFORMANCE REQUIREMENTS:** The complete requirements for procuring the wire described herein shall consist of this document and NF F 63-808 Mai 1992  
Optical shield coverage tested in accordance with WCD 51 clause 5.4.

**MARKING:**

**Components:** Spaced at 50mm maximum, longitudinally, coloured black,  
First core only: E X - NF F 63-808 - TE Raychem -YY  
Second core: marked 2  
Third core: marked 3

**Jacket:** Spaced at every 50mm maximum, longitudinally, coloured white,  
E - BLG - 3 x X - NF F 63-808 - TE Raychem - YY - B

**Where:** "X" = conductor cross sectional area (see above)  
"YY" = the Year Code Designator in accordance with table below  
and "B" = Manufacturing Batch Number.

<b>Code:</b>	09	10	11	12	13	14	15
<b>Year:</b>	2009	2010	2011	2012	2013	2014	2015

"Zerohal" is a registered trademark of Tyco Electronics Corporation.

**APPROVAL:** Electronic approval - no signatures will appear.

Tyco Electronics UK Ltd  
Faraday Road  
Dorcan  
SWINDON  
SN3 5HH  
UK

Registration Number:  
550926 London, England

This drawing and the information set forth hereon are the property of Tyco Electronics UK Ltd, and are to be held in trust and confidence. Publication, duplication, disclosure or use for any purpose not expressly authorised in writing by Tyco Electronics UK Ltd is prohibited.

This specification sheet takes precedence over documents referenced herein. As Tyco Electronics UK Ltd. reserve the right to make changes in construction without notice please contact Tyco Electronics UK Ltd to ensure that this document is the latest issue

Tel: 0800 267666  
Fax: 01793 572516

Website: [www.tycoelectronics.com](http://www.tycoelectronics.com)  
Email: [picuk@tycoelectronics.com](mailto:picuk@tycoelectronics.com)

单击下面可查看定价，库存，交付和生命周期等信息

[>>TE Connectivity\(泰科\)](#)