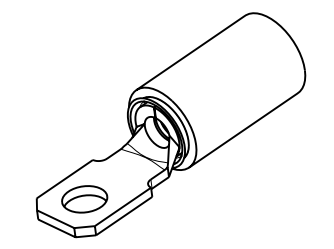
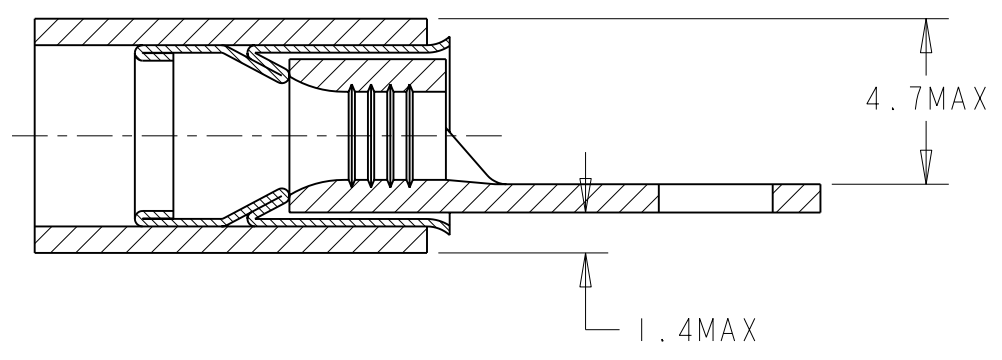


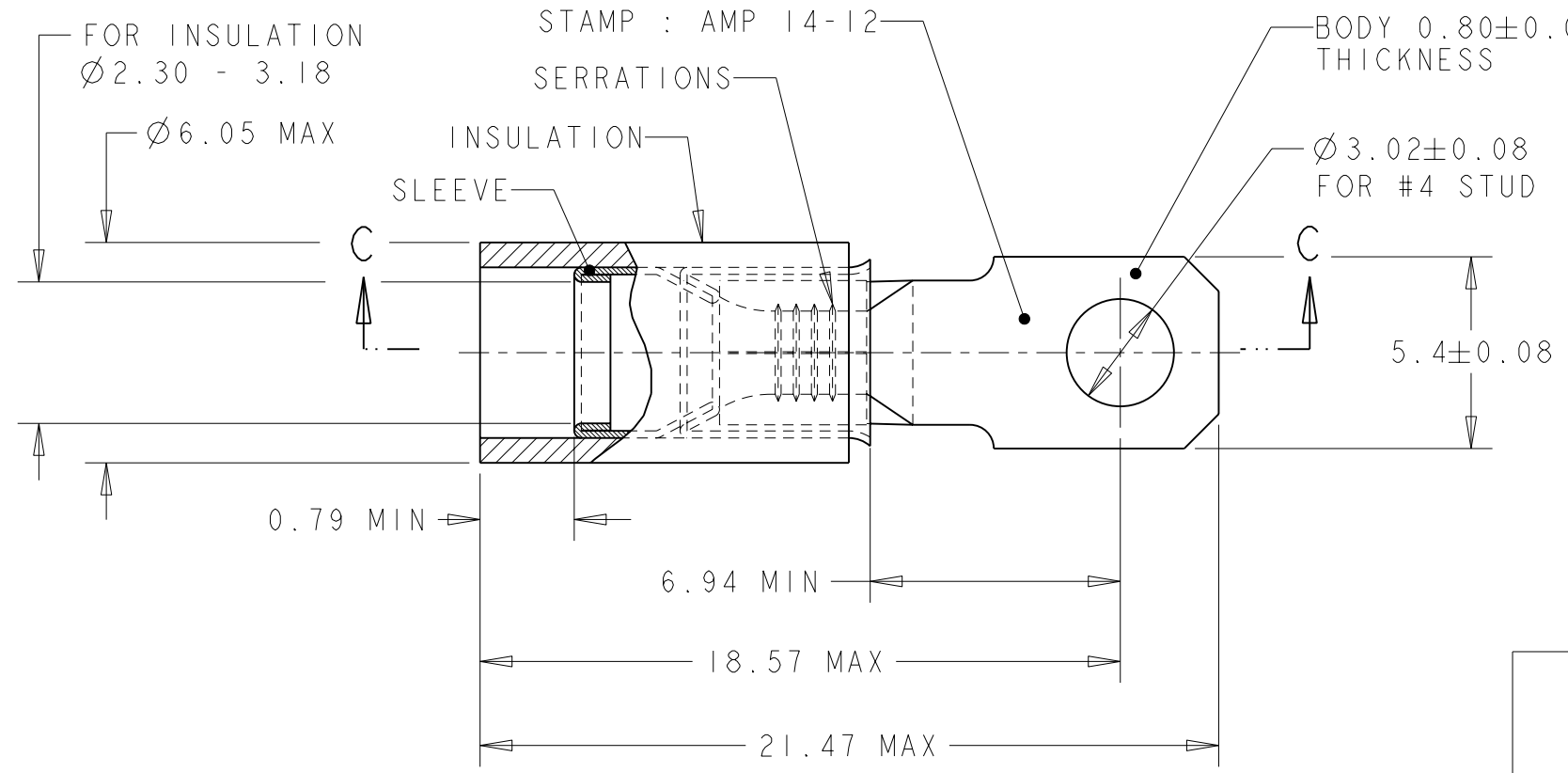
THIS DRAWING IS UNPUBLISHED. RELEASED FOR PUBLICATION 20
 © COPYRIGHT 20 BY TYCO ELECTRONICS CORPORATION. ALL RIGHTS RESERVED.

LOC	DIST	REVISIONS			
P	LTR	DESCRIPTION	DATE	DWN	APVD
F	00	A	NEW RELEASE	25MAR2008	PK YP

COUPE C-C



SCALE 2:1



WIRE TERMINAL	1577965-1	BODY : COPPER ANNEALED FINISH : NICKEL PLATED
		SLEEVE : COPPER ANNEALED FINISH : NICKEL PLATED
		INSULATION : PEEK COLOR : BEIGE
DESCRIPTION	PART NUMBER	MATERIAL & FINISH

<small>THIS DRAWING IS A CONTROLLED DOCUMENT FOR TYCO ELECTRONICS CORPORATION IT IS SUBJECT TO CHANGE AND THE CONTROLLING ENGINEERING ORGANIZATION SHOULD BE CONTACTED FOR THE LATEST REVISION.</small>		DWN 25MAR2008 PRAVEEN K	Tyco Electronics France SAS 95300 Pontoise, France	
DIMENSIONS: mm		CHK 25MAR2008 G. ROBERT	NAME TERMINAL, PEEK PIDG STRATO, 14-12 AWG	
TOLERANCES UNLESS OTHERWISE SPECIFIED: 0 PLC ±- 1 PLC ±0.3 2 PLC ±- 3 PLC ±- 4 PLC ±- ANGLES ±5		APVD 25MAR2008 Y. PETRONIN	PRODUCT SPEC 108-15356	RESTRICTED TO
MATERIAL SEE TABLE		FINISH SEE TABLE	APPLICATION SPEC 114-15102	SIZE CAGE CODE DRAWING NO A3 00779 C-1577965
		WEIGHT 1,54 gr	CUSTOMER DRAWING	SCALE 5:1 SHEET 1 OF 1 REV A

单击下面可查看定价，库存，交付和生命周期等信息

[>>TE Connectivity\(泰科\)](#)