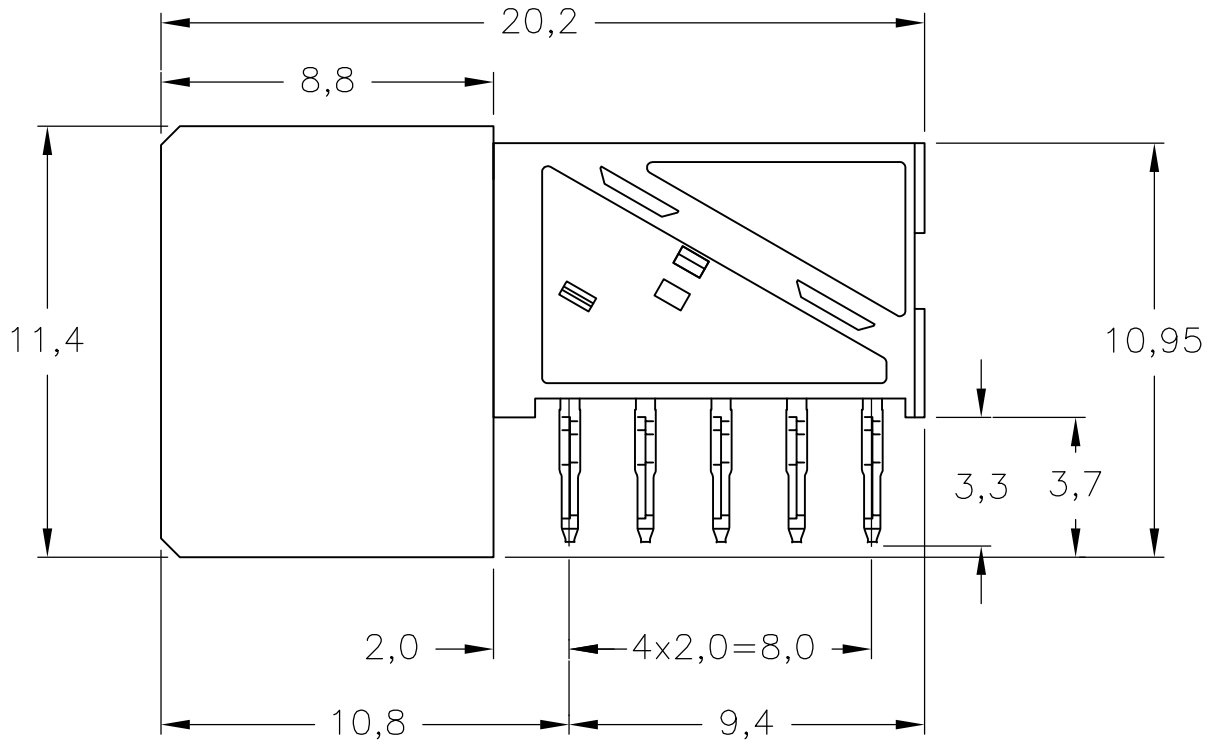
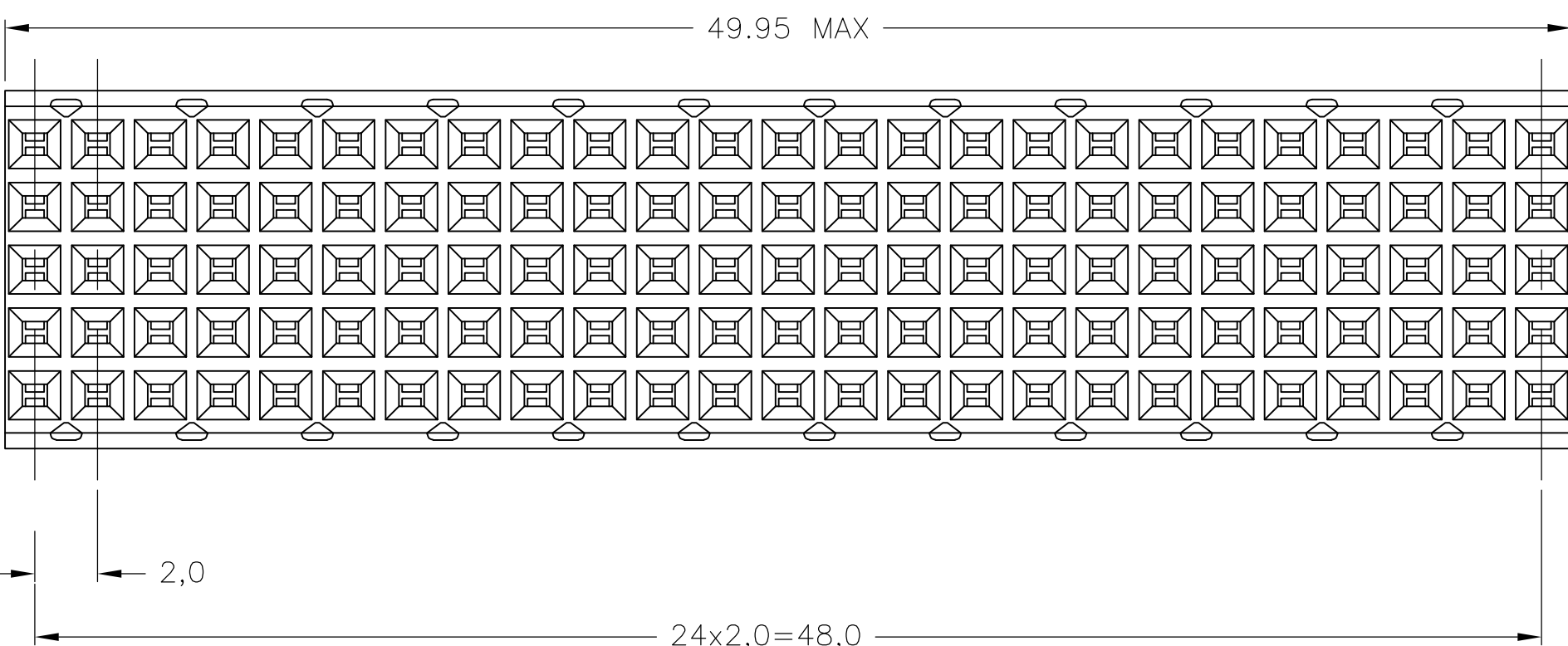
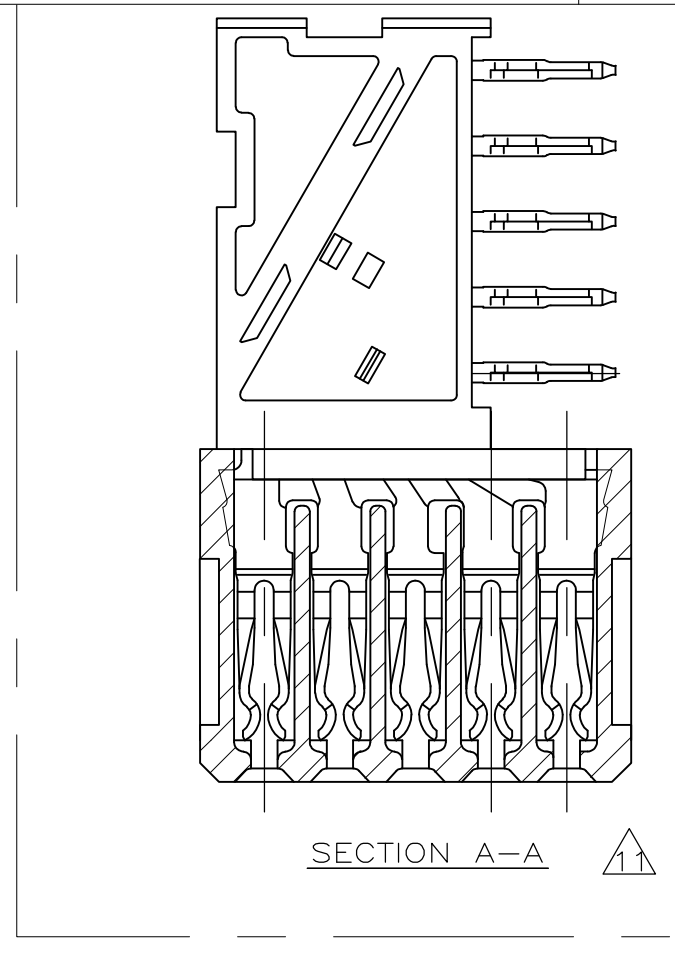
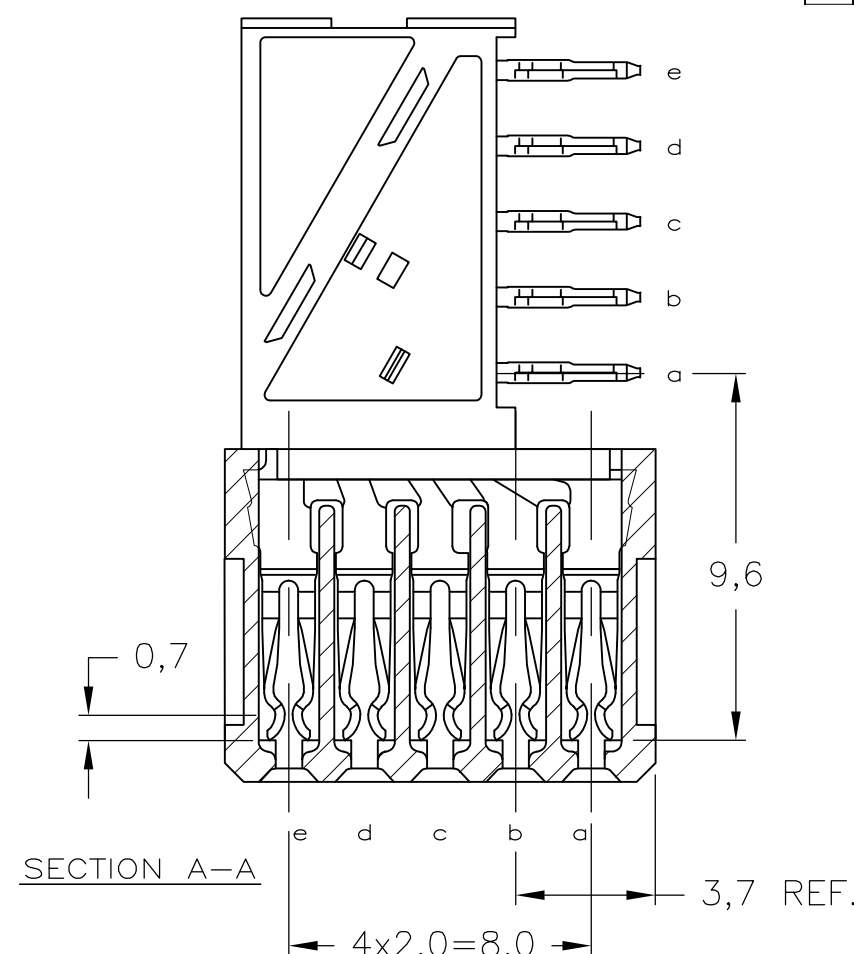
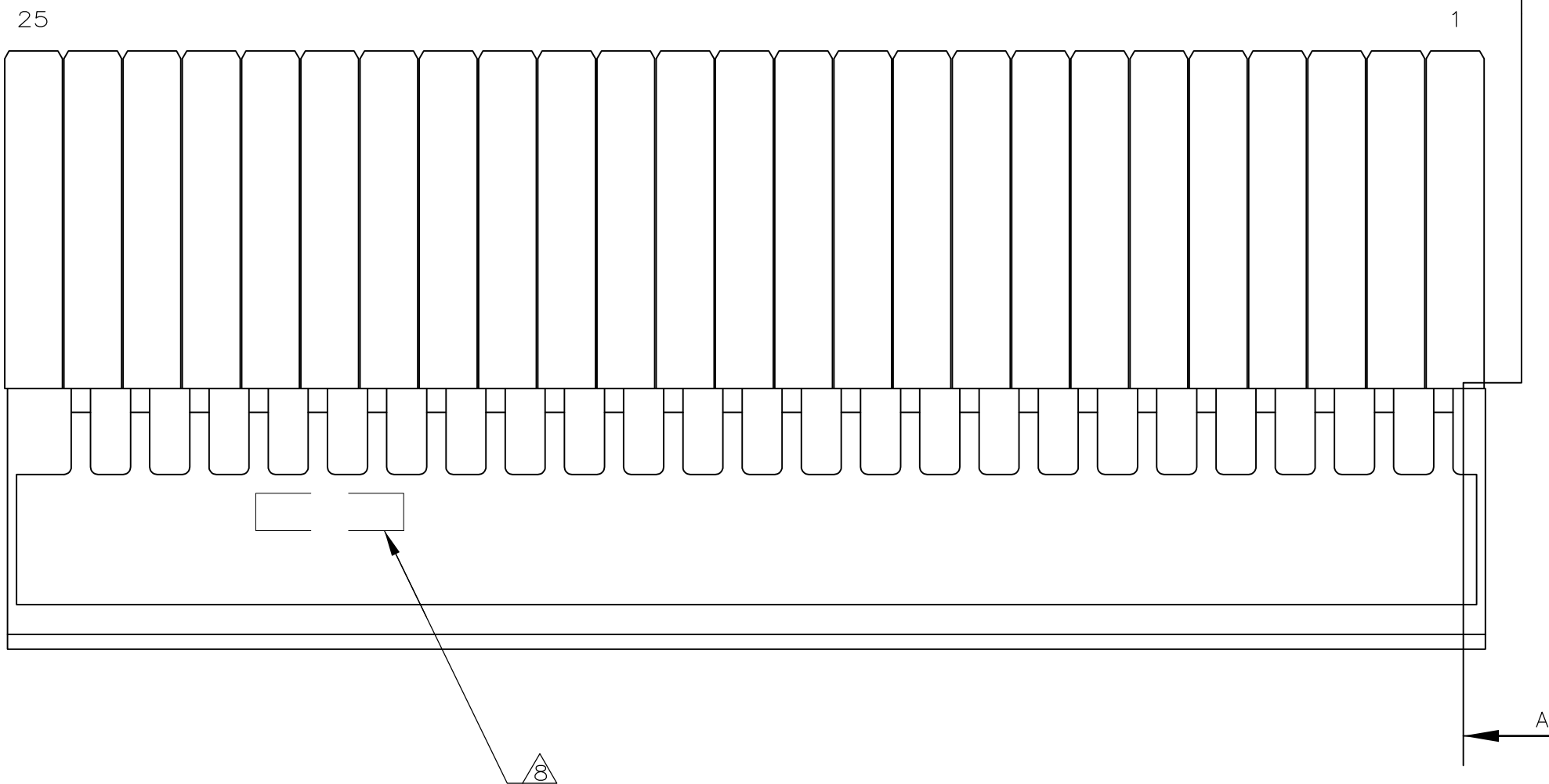


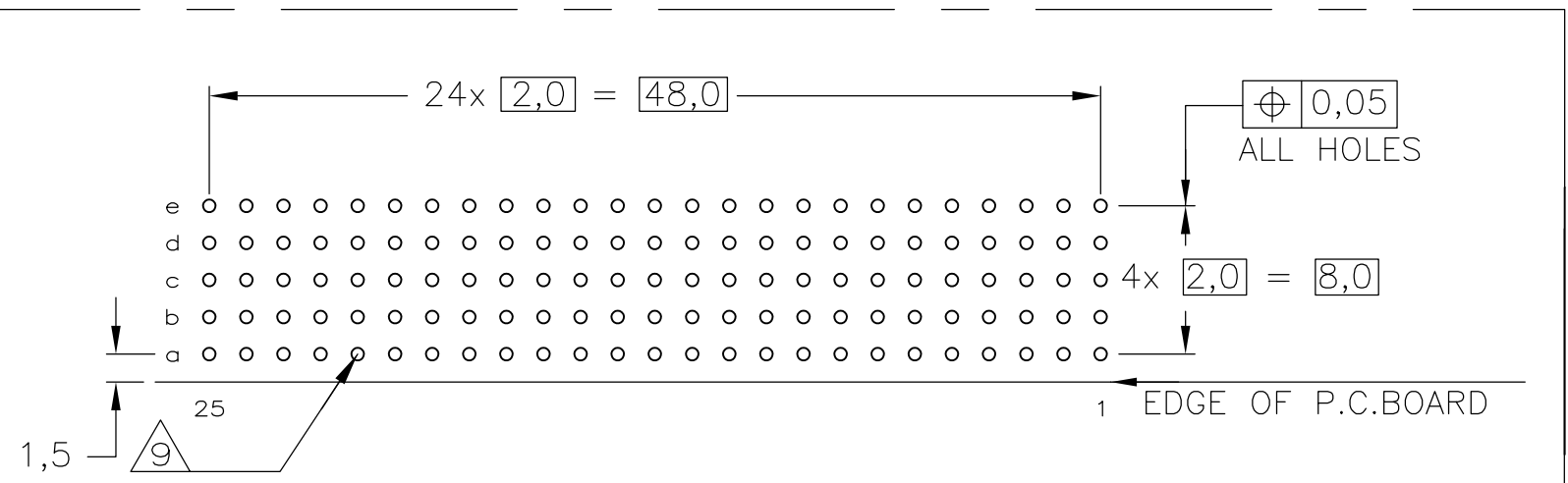
THIS DRAWING IS UNPUBLISHED. RELEASED FOR PUBLICATION
 © COPYRIGHT - By - ALL RIGHTS RESERVED.

REVISIONS				
P	LTR	DESCRIPTION	DATE	APVD
G		ECR-16-013297	21JUL2017	FL SY



NOTES:

- ① MATERIAL CONTACT; PHOSPHORBRONZE
MATERIAL HOUSING; GLASSFILLED POLYESTER (GRAY)
UL-RATING 94V0.
- ② GENERAL PLATING SPECIFICATION: UNDERPLATING (ENTIRE CONTACT): 1,27µm NICKEL MIN. AND ACTION PIN: 0,5µm TIN MIN.
FOR PLATING OF MATING SURFACES SEE APPLICABLE SPECIFICATION REFERENCE FOR EACH DASH NUMBER.
- ③ CONFORMS TO ALL TESTING ACCORDING IEC 61076-4-101 PERFORMANCE LEVEL 2.
- ④ CONFORMS TO ALL TESTING ACCORDING IEC 61076-4-101 PERFORMANCE LEVEL 1.
- ⑤ CONNECTOR TESTED AND QUALIFIED AGAINST TELCORDIA GR-1217-CORE QUALITY LEVEL III, CENTRAL OFFICE APPLICATIONS.
- ⑥ CONNECTOR TESTED AND QUALIFIED AGAINST TELCORDIA GR-1217-CORE QUALITY LEVEL III, UNCONTROLLED ENVIRONMENT APPLICATIONS.
- ⑦ CONNECTOR LUBRICATED WITH TELCORDIA GR-1217-CORE APPROVED LUBRICANT.
- ⑧ CONNECTOR PRINTED WITH PARTNUMBER AND DATECODE
THE MARKING CAN APPEAR ON THE FRONT SIDE OR ON THE BACK SIDE.
- ⑨ PLATED-THROUGH HOLES AT 2x2mm SQUARE GRID. 125 HOLES
- ⑩ FITS WITH INTEGRATED GROUND RETURN UPPERSHIELD, BASIC P.N. 5338109 AND INTEGRATED GROUND RETURN LOWERSHIELD, BASIC P.N. 5338110
- ⑪ CONNECTOR ASSEMBLED WITH REDESIGNED CONTACTS.
- ⑫ OBSOLETE PARTS: OBSOLETE CIS STREAMLINING PER D.RENAUD/D.SINISI
- ⑬ 0,76µm MIN. GOLD PLATING AT MATING SURFACES.



SCALE 2,5:1
 COMPONENT SIDE AS SHOWN
 RECOMMENDED PCB-HOLE LAY-OUT

P.C.B. HOLE DIM. ACTION PIN
 FOR DETAILS SEE APPLICATION SPECIFICATION

FINISH	MATERIAL	PARTNUMBER
⑬	①	3-5100145-0
⑬	①	1-5100145-9
⑬	①	5100145-9
⑬	①	5100145-4
⑬	①	5100145-1

THIS DRAWING IS A CONTROLLED DOCUMENT.		DWN K.N.KIRAN 05AUG2004	TE Connectivity	
DIMENSIONS: mm		CHK B.MOOIJ 22SEP2004	Z-PACK 2mm HM TYPE B 125 POS. FEMALE CONNECTOR	
TOLERANCES UNLESS OTHERWISE SPECIFIED:		APVD B.MOOIJ 22SEP2004	NAME	
6-PLC ±		PRODUCT SPEC	108-19082	
1-PLC ±		APPLICATION SPEC	114-19029	
2-PLC ±		WEIGHT	0.0000	
3-PLC ±		SIZE	A2	
4-PLC ±		CAGE CODE	00779	
ANGLES ±		DRAWING NO	C=5100145	
FINISH		RESTRICTED TO	-	
MATERIAL		SCALE	4:1	
-		SHEET	1 of 1	
-		REV	G	

单击下面可查看定价，库存，交付和生命周期等信息

[>>TE Connectivity\(泰科\)](#)