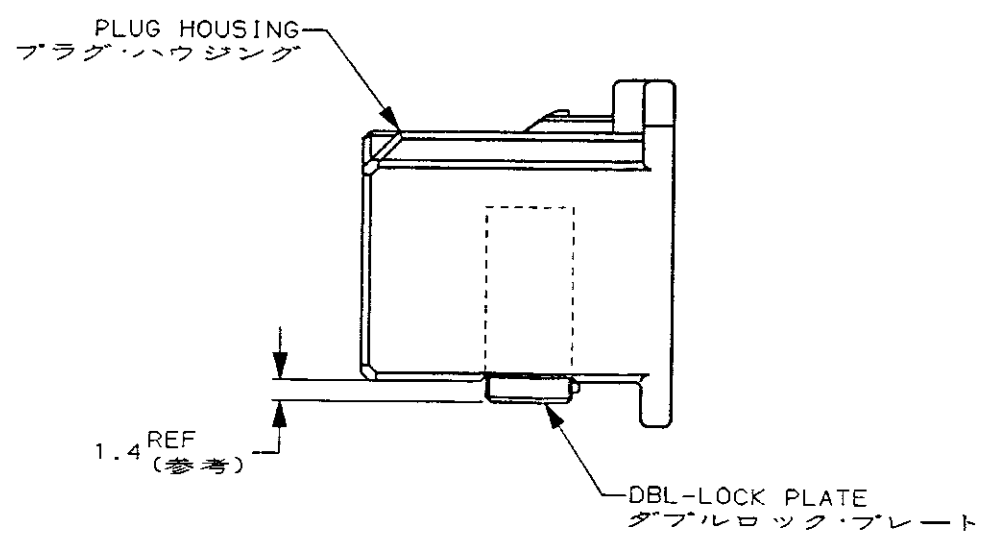
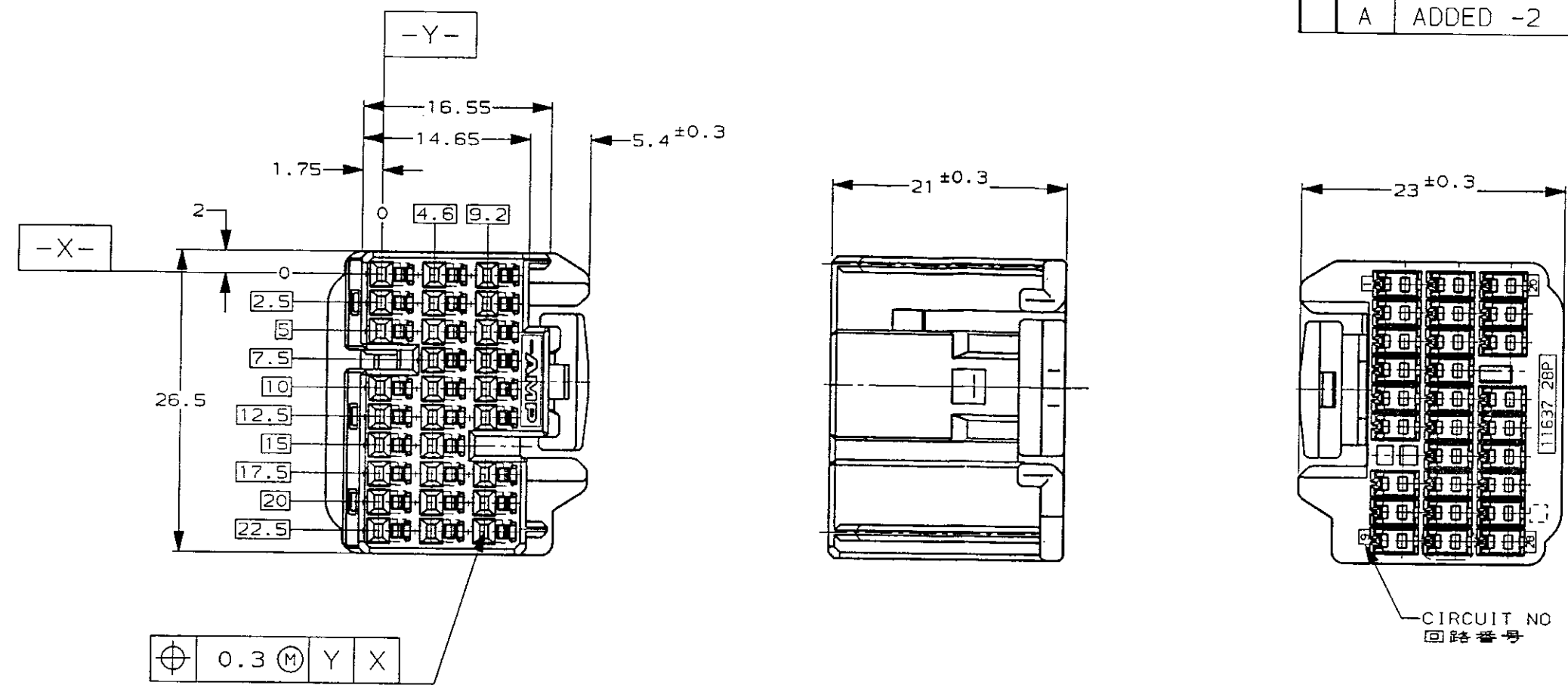


LOC		DIST		REVISIONS				
P	LTR	DESCRIPTION	ECN	DATE	OWN	APVD		
		0	DRAWN	FJ00-4999-96	7/5 '96	HY	NS	
		A	ADDED -2	FJ00-5007-96	7/23 '96	744	NS	



- NOTES
- PART NUMBER OF CAP HOUSINGS TO BE MATED; 353015, 353016
 - DETAILS OF CAVITIES; SEE TABLE-1

- 注記
- 嵌合相手ハウジング型番; 353015, 353016
 - キャビティ構成は、TABLE-1 参照

TABLE-1

CAVITY キャビティ	POS. 極数	CIRCUIT NO 回路番号	APPLIED CONTACT P/N 適用端子型番	APPLICABLE WIRE RANGE 適用電線
	28	1-28	.040 III UNSEALED CONTACT RECEPTACLE (S) 316836, 316837	AVSS/CAVS 0.3~0.5mm ² CAVUS 0.3~0.5mm ²

THIS DRAWING IS A CONTROLLED DOCUMENT FOR AMP INCORPORATED. IT IS SUBJECT TO CHANGE AND THE CONTROLLING ENGINEERING ORGANIZATION SHOULD BE CONTACTED FOR THE LATEST REVISION.

DIMENSIONS 単位: 概 mm	TOLERANCES UNLESS OTHERWISE SPECIFIED 一般公差 10% : ±0.2 30% : ±0.25 100% : ±0.3 ANGLE : ±3°
MATERIAL 材料 PBT	COLOR 色 SEE TABLE 表参照

OWN 7/5 '96 H. YAMAGAMI
CHK 7/5 '96 T. KOHNO
APVD 7/5 '96 N. SAI
PRODUCT SPEC 製品規格 108-5529
APPLICATION SPEC 取付適用規格 114-5217
WEIGHT 5.62g
CUSTOMER DRAWING

BLACK (黒)	353030-2
NATURAL (自然色)	353030-1
COLOR (色)	PART NUMBER (型番)
AMP 日本エー・エム・ピー株式会社 Kawasaki, Japan	
.040 SERIES HIGH DENSITY III CONNECTOR 28P PLUG HOUSING ASSY	
SIZE A3	CAGE CODE 00779
DRAWING NO 番号 353030	
SCALE 尺度 2-1	SHEET 1 OF 1
REV A	

单击下面可查看定价，库存，交付和生命周期等信息

[>>TE Connectivity\(泰科\)](#)