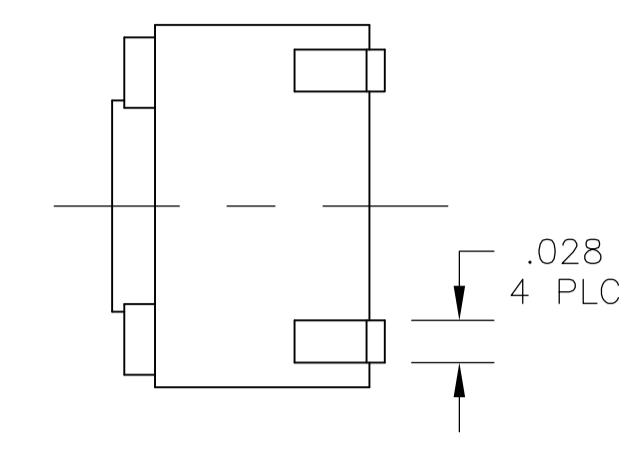


LOC		DIST		REVISIONS			
AD	00	REV	DATE	BY	CHK	APP	REV
C	ECO-07-000908		02JUL07	MB			MS



SPECIFICATIONS:

MATERIALS:
 CASE, PPS, COLOR- BROWN
 COVER, STEEL, PLATING- TIN
 ACTUATOR, SEE TABLE
 CONTACT, COPPER ALLOY, PLATING- SILVER CLAD
 TERMINAL, COPPER ALLOY, PLATING- SILVER

ELECTRICAL:

MAX CONTACT RATING: 50MILLIAMPS@24V DC
 MIN CONTACT RATING: 10MICROAMPS@1V DC
 INITIAL CONTACT RESISTANCE, 100 MILLIOHMS MAX, PER EIA-364-23B, EACH POSITION
 INSULATION RESISTANCE, 100 MEGOHM MIN. PER EIA-364-21C EACH POSITION
 DIELECTRIC STRENGTH, 250 V AC FOR 1 MINUTE, PER EIA-364-20B, CONDITION 1, EACH POSITION.
 CONTACT BOUNCE, 10 MILLISECOND MAX, PER EIA 448-1B, METHOD 15

MECHANICAL:

ACTUATION FORCE, SEE TABLE
 ACTUATION TRAVEL, .010 +.008/-.004
 LIFE EXPECTANCY, 100,000 CYCLES MIN (2 CYCLES PER SECOND AND 150% ACTUATION FORCE), PER EIA-448 METHODS 8 AND 9
 VIBRATION, PER EIA 364-28D, CONDITION VII, LEVEL E
 MECHANICAL SHOCK, PER EIA-364-27C, CONDITION A

ENVIRONMENTAL:

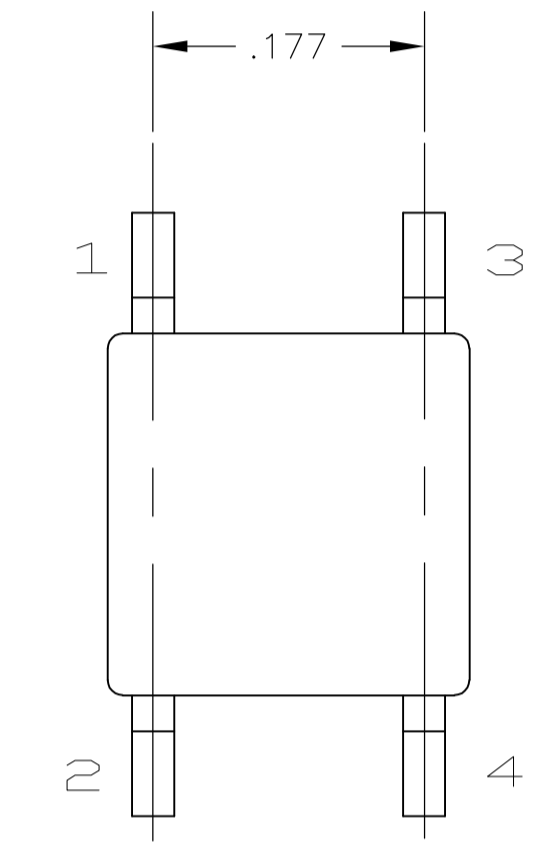
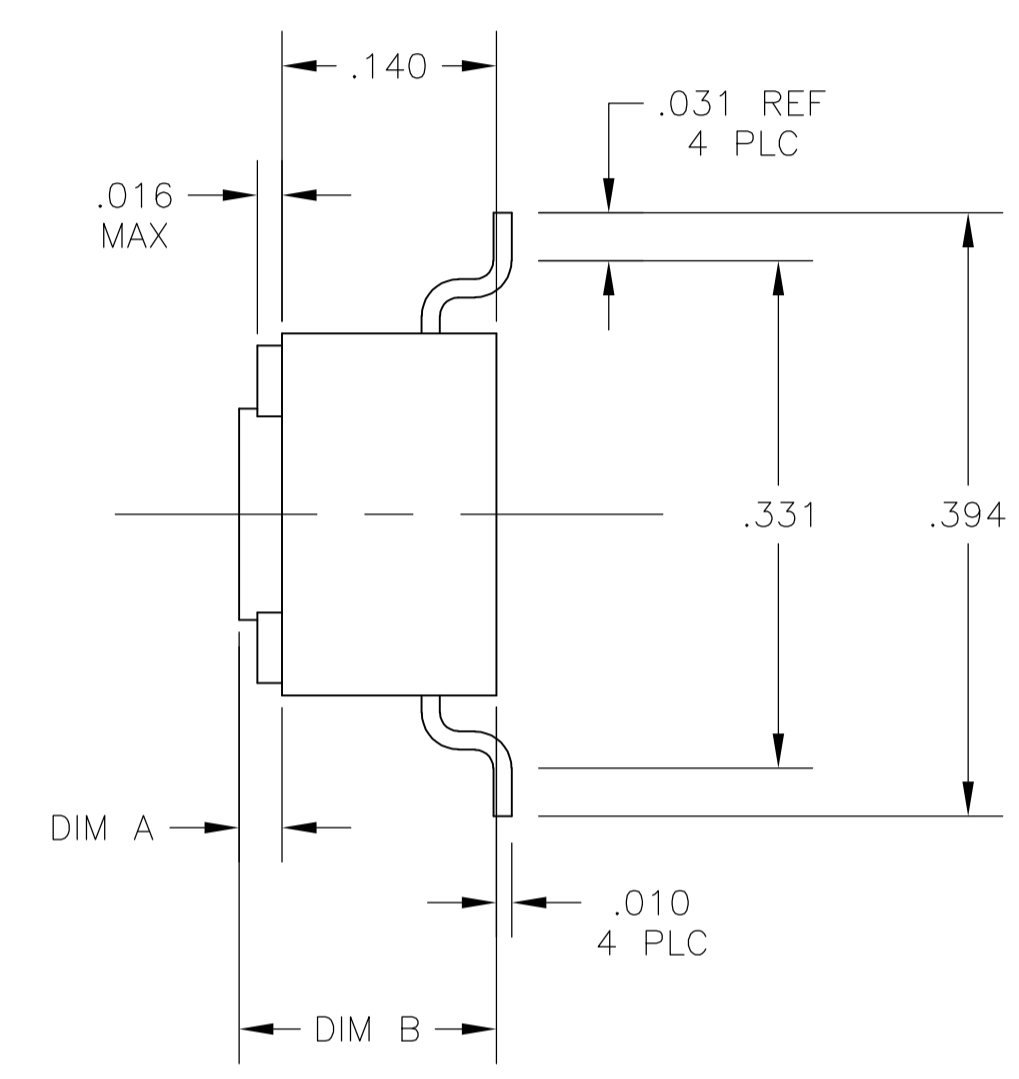
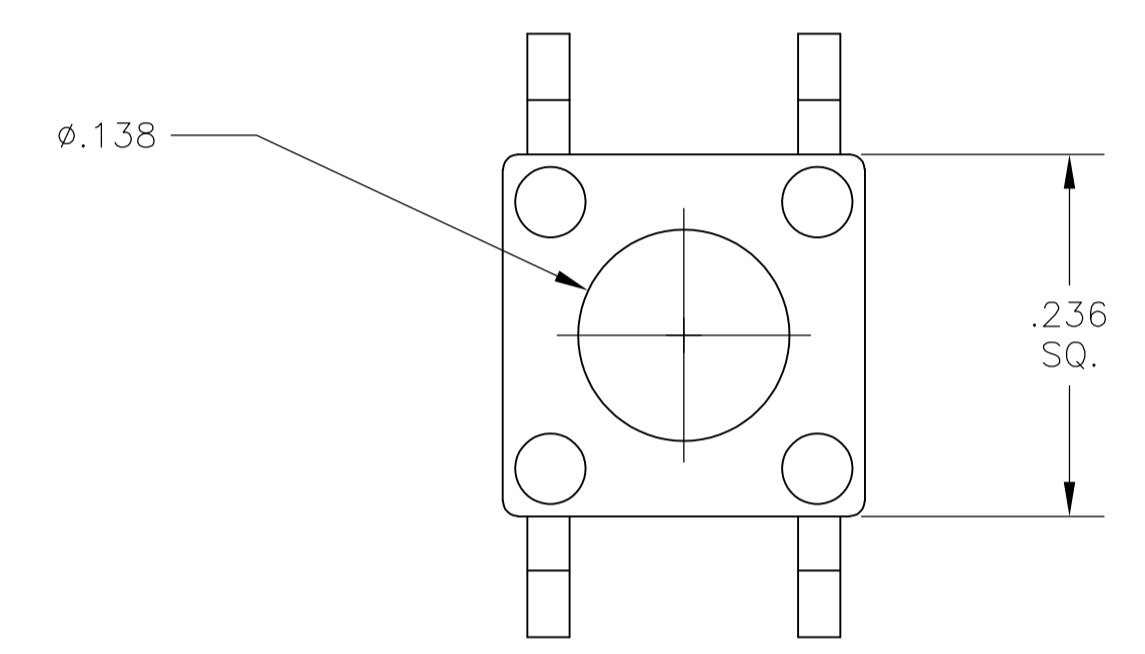
OPERATING TEMPERATURE, -35 TO +85 DEGREES C
 STORAGE TEMPERATURE, -35 TO +85 DEGREES C
 HUMIDITY AND TEMPERATURE CYCLING PER EIA-364-31B, METHOD III
 THERMAL SHOCK, PER EIA-364-32C, -40 TO +80 DEGREES C
 SOLDERABILITY, PER EIA-364-52, CLASS 2, CATEGORY 1, TEMP, 245 DEGREES C MAX, TIME, 2.5 SECONDS MAX, 95% MINIMUM COVERAGE
 RESISTANCE TO SOLDER HEAT, PER 109-201 CONDITION B
 NO CHANGE IN INITIAL ELECTRICAL AND MECHANICAL CHARACTERISTICS

SEALED PER IP67

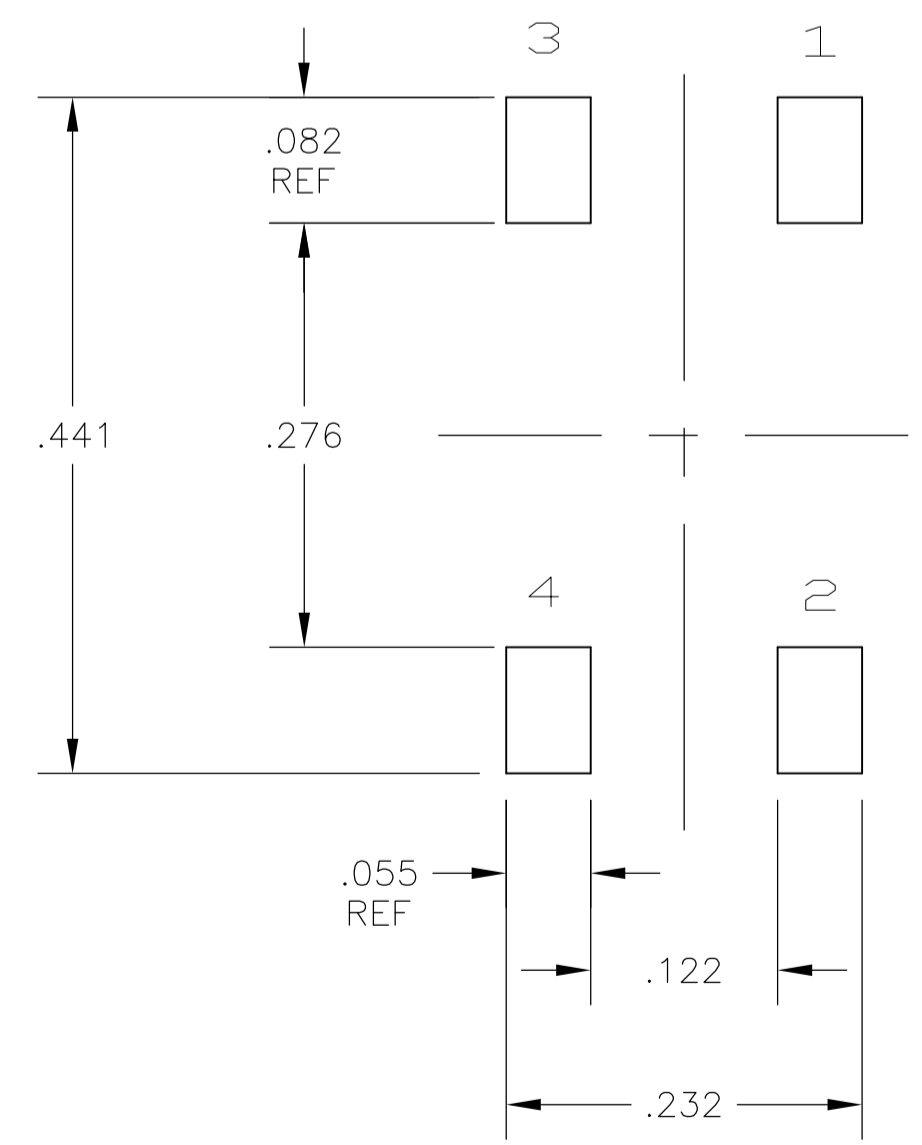
PACKAGING:

TAPE AND REEL PER EIA-481, SWITCH TO HAVE ACTUATOR FACING DOWN.

1. ALL MATERIALS AND FINISHES SHALL COMPLY WITH EU DIRECTIVE 2002/95/EC OF 27JAN2003 (ROHS)



TERMINAL NOS.



RECOMMENDED PAD LAYOUT
 TOLERANCE ±.002 UNLESS OTHERWISE NOTED

CIRCUIT CHARACTERISTICS	
CONTACT POSITION	CIRCUIT DIAGRAM
OFF	
<DN> 1 - 3 2 - 4	

BROWN	PPS	100±50 GRAMS	.169±.006	.028±.004	1571611-2
-	SILICON RUBBER	100±50 GRAMS	.169±.006	.028±.004	1571611-1
ACTUATOR COLOR	ACTUATOR MATERIAL	OPERATING FORCE	B	A	TYCO PART NUMBER

THIS DRAWING IS A CONTROLLED DOCUMENT.		DWN FR CHK M APP'D M	BROWN SARVER SARVER	25SEP03 25SEP03 25SEP03	Tyco Electronics Corporation Harrisburg, PA	
DIMENSIONS: INCHES	TOLERANCES UNLESS OTHERWISE SPECIFIED:	NAME		PUSHBUTTON SWITCH 6 X 6mm, SMT, SPECIAL TAPE AND REEL PACKAGING		
0 PLC ± -	1 PLC ± -	PRODUCT SPEC		RESTRICTED TO		
2 PLC ± -	3 PLC ± .012	APPLICATION SPEC		SIZE	CAGE CODE	DRAWING NO
4 PLC ± -	ANGLES ± -	WEIGHT		A1	00779	1571611
MATERIAL	FINISH	CUSTOMER DRAWING		SCALE	SHEET	REV
-	-	-		8:1	1 of 1	C

单击下面可查看定价，库存，交付和生命周期等信息

[>>TE Connectivity\(泰科\)](#)