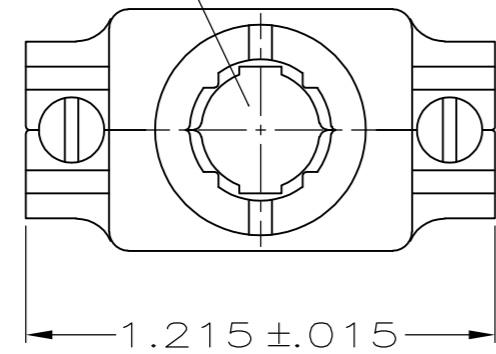


THIS DRAWING IS UNPUBLISHED. RELEASED FOR PUBLICATION  
 © COPYRIGHT - By - ALL RIGHTS RESERVED.

LOC		DIST		REVISIONS			
P	LTR	DESCRIPTION		DATE	DWN	APVD	
	A1	REVISED PER ECO-11-005033		23MAR11	RK	HMR	

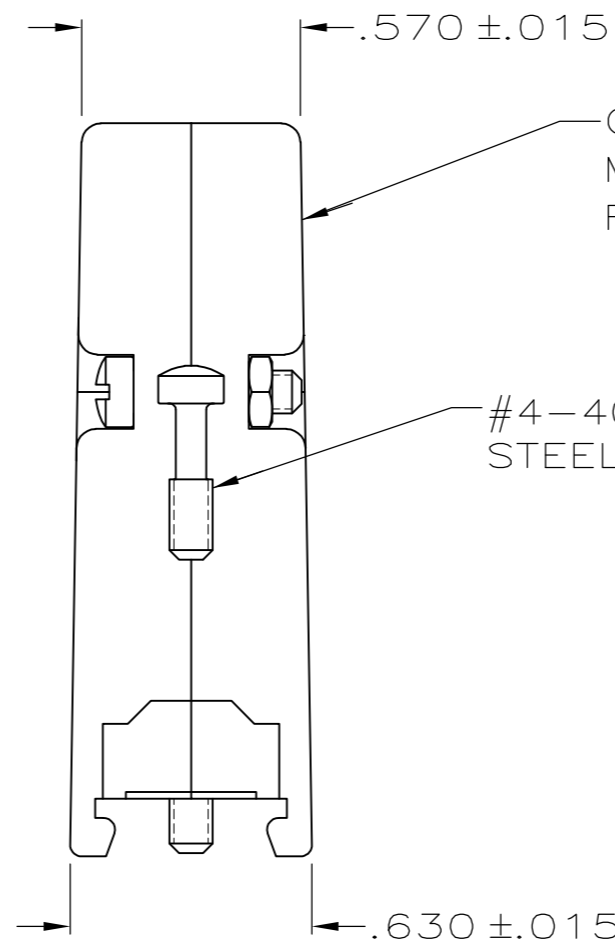
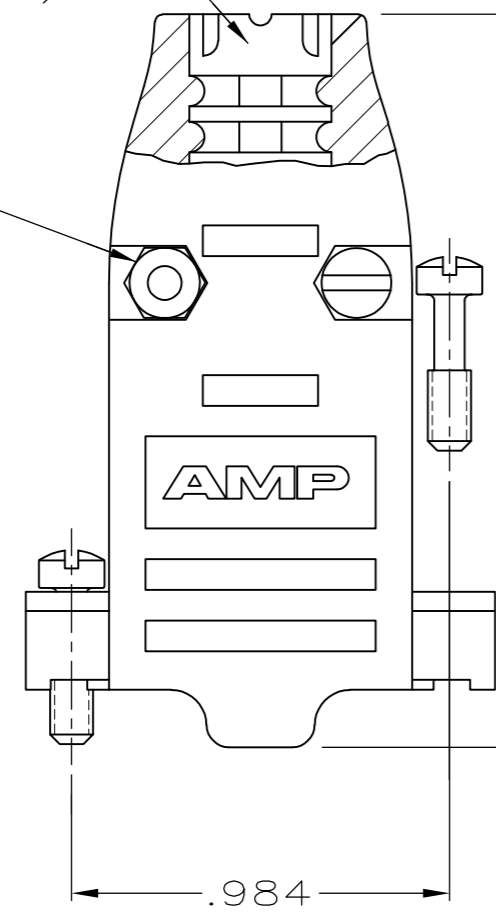
1. ALL PARTS PACKAGED UNASSEMBLED.
- 2 AS SHOWN, THIS KIT CONSISTS OF 2 STRAIN RELIEF HALVES, 2 #4-40 SCREWS, 2 #4-40 NUTS & 2 #4-40 MOUNTING SCREWS.
- 3 SAME AS SHOWN, EXCEPT: EACH PART IS INDIVIDUALLY BULK PACKED FOR MULTIPLE KIT ORDERS.
- 4 ZINC PLATED .000200-.000400 THICK, CLEAR CHROMATE COATING.
- 5 OBSOLETE.

OPENING FOR CABLE  
(SEE DASH NO FOR DIA)



SIZE IDENTIFICATION  
LETTER MOLDED HERE  
(SEE TABLE)

#4-40 FILLISTER HEAD  
STEEL SCREW & HEX NUT,  
2 EACH REQD. 4



CABLE CLAMP  
MATERIAL: FLAME RETARDANT THERMOPLASTIC  
FINISH: BRIGHT NICKEL OVER BRIGHT COPPER

#4-40 FILLISTER HEAD SCREW  
STEEL, 2 REQD. 4

A	.200	-	5745854-5
C	.250	-	5745854-3
H	.370	5745854-2 5	5745854-1
SIZE IDENT LETTER	CABLE DIA	BULK PACKED KIT NO 3	INDIVIDUAL KIT NO 2

DIMENSIONS:		TOLERANCES UNLESS OTHERWISE SPECIFIED:		DWN		CHK		APVD		NAME	
INCHES		0 PLC	± -	B. MCMASTER		04AUG05		C. ROHDE		04AUG05	
		1 PLC	± -	M. WALMSLEY		04AUG05		PRODUCT SPEC		-	
		2 PLC	± -	APPLICATION SPEC		-		SIZE		A2	
		3 PLC	± .005	WEIGHT		-		CAGE CODE		C=5745854	
		4 PLC	± -	CUSTOMER DRAWING		SCALE		SHEET		1 of 1	
SEE CALLOUT		SEE CALLOUT		FINISH		-		RESTRICTED TO		-	
				ANGLES		± -		SCALE		2:1	

**STE** TE Connectivity

CABLE CLAMP KIT, SIZE 1, 9 POSN,  
180 DEGREES, PLATED PLASTIC,  
AMPLIMITE

单击下面可查看定价，库存，交付和生命周期等信息

[>>TE Connectivity\(泰科\)](#)