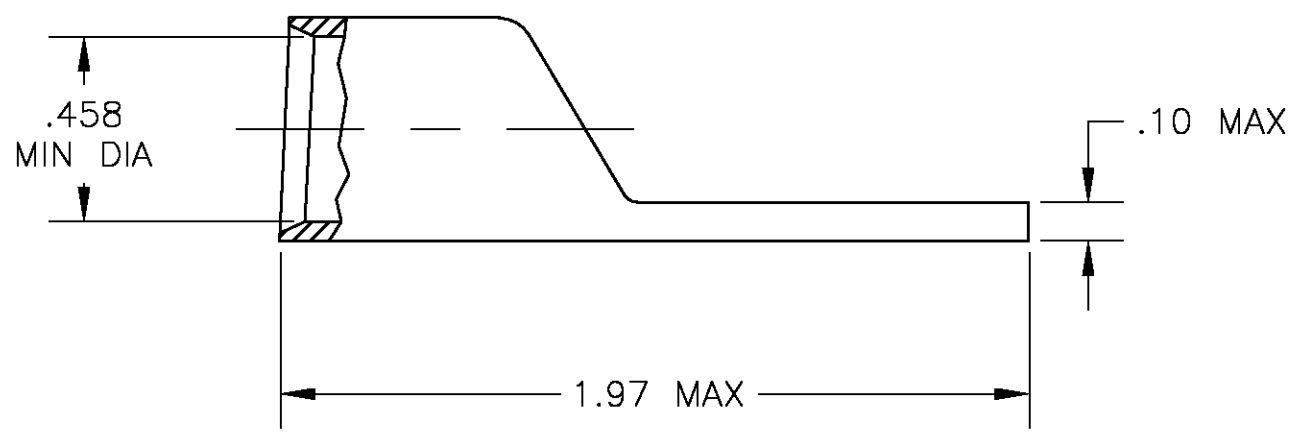
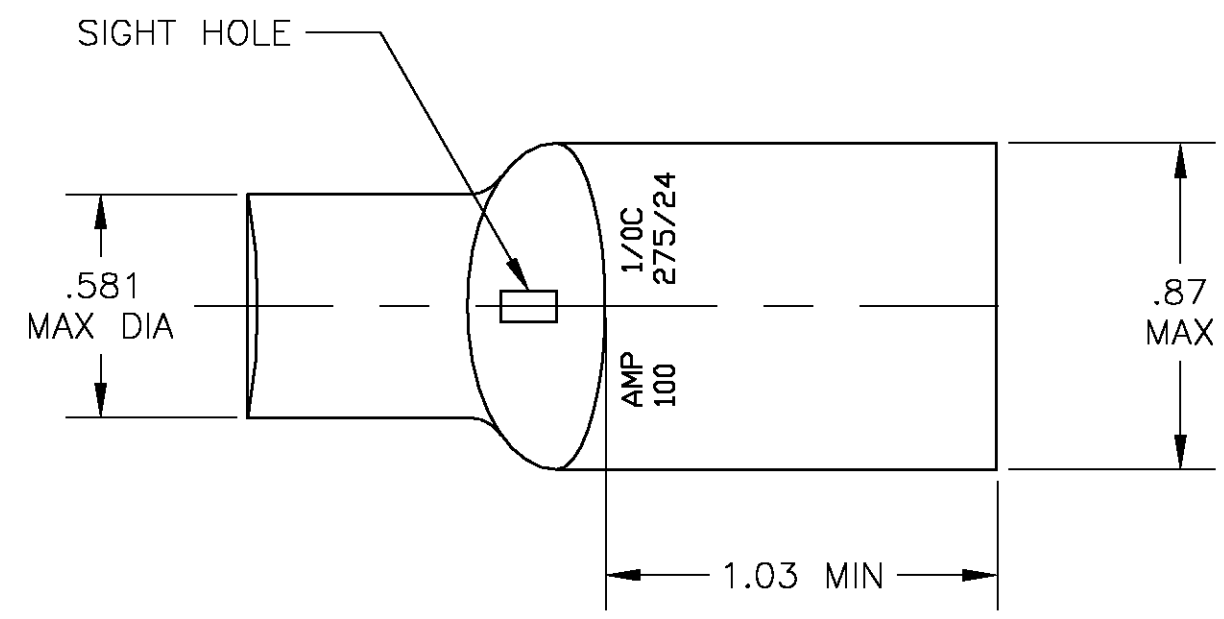


THIS DRAWING IS UNPUBLISHED. RELEASED FOR PUBLICATION  
 © COPYRIGHT BY TYCO ELECTRONICS CORPORATION. ALL RIGHTS RESERVED.

LOC	DIST	REVISIONS					
		P	LTR	DESCRIPTION	DATE	DWN	APVD
G	86		U	REDRAWN PER 0G3A-0396-04	02JUN04	JR	MS

- 1 WIRE RANGE IS 83,700-119,500 CMA
- △2 COPPER PER ASTM B-75, ANNEALED
- △3 .000150 MIN TIN PER ASTM B-545



325300  
PART NO

THIS DRAWING IS A CONTROLLED DOCUMENT.		DWN jr_ruth 02JUN04	Tyco Electronics Corporation Harrisburg, PA 17105			
DIMENSIONS: INCHES		CHK MJ SPICER 02JUN04				
TOLERANCES UNLESS OTHERWISE SPECIFIED:		APVD MJ SPICER 02JUN04	NAME TERMINAL, AMPPOWER, WIRE SIZE: 1/0 AWG			
0 PLC ± - 1 PLC ± - 2 PLC ± - 3 PLC ± .008 4 PLC ± - ANGLES ± 5°		PRODUCT SPEC -	APPLICATION SPEC -			
MATERIAL - △2		FINISH - △3	SIZE A3	CAGE CODE 00779	DRAWING NO C-325300	RESTRICTED TO -
CUSTOMER DRAWING			WEIGHT .044 LB	SCALE 2:1	SHEET 1 OF 1	REV U

单击下面可查看定价，库存，交付和生命周期等信息

[>>TE Connectivity\(泰科\)](#)