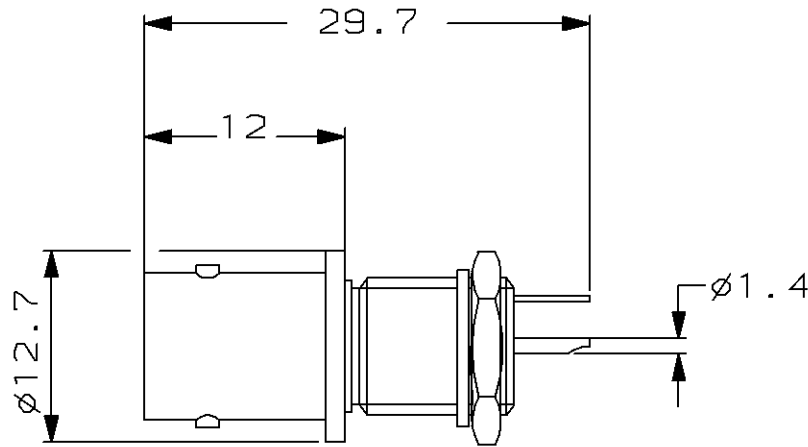


LOC F	DIST 7	REVISIONS			
P	LTR REV	DESCRIPTION MODIFICATIONS	DATE	DWN DESS.	APVD APP.
	-	-	-	-	-



P/N AMP	IMPEDANCE
134862-1	50Ω

RELEASED FOR PUBLICATION

THIS DRAWING IS UNPUBLISHED.
DIFFUSION RESERVEE AMP

BY AMP INCORPORATED. ALL RIGHTS RESERVED.
TOUS DROITS RESERVES.

© COPYRIGHT 19

DIMENSIONS: mm	DWN/DESSINE J. ALVES	16-DEC-96	MATERIAL MATIERE	-	FINISH FINITION	-
	CHK/VERIFIE Y. PETRONIN	26-FEB-97	AMP DE FRANCE 95301 PONTOISE			
TOLERANCES UNLESS OTHERWISE SPECIFIED, TOLERANCES NON SPECIFIEES (SUIV NB DE DECIMALES): 0 \pm DEC/DEC 1 \pm DEC/DEC 2 \pm DEC/DEC 3 \pm DEC/DEC 4 \pm DEC/DEC	APVD/APPROUVE Y. PETRONIN	26-FEB-97				
	PRODUCT SPEC SPEC. PRODUIT	-	SIZE FORMAT	CAGE CODE	DRAWING NO TITRE	RESTRICTED TO
ANGLES \pm -	APPLICATION SPEC SPEC. APPLICATION	-	A4	00779	C-134862	-
	WEIGHT MASSE APPROX.	-	CUSTOMER DRAWING/PLAN CLIENT			
			UNIQUEMENT POUR REFERENCE	SCALE ECHELLE	1:1	SHEET FEUILLE
					1	OF DE
					1	REV
					0	

单击下面可查看定价，库存，交付和生命周期等信息

[>>TE Connectivity\(泰科\)](#)