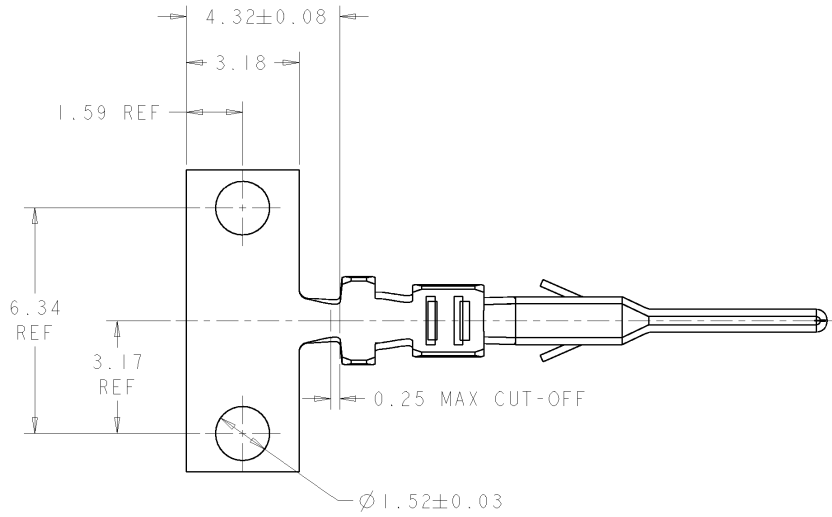
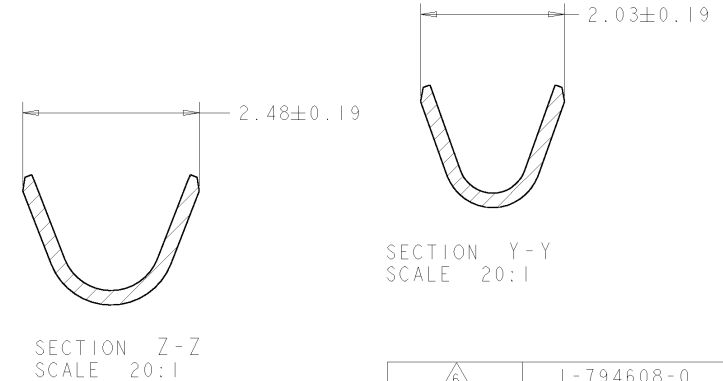
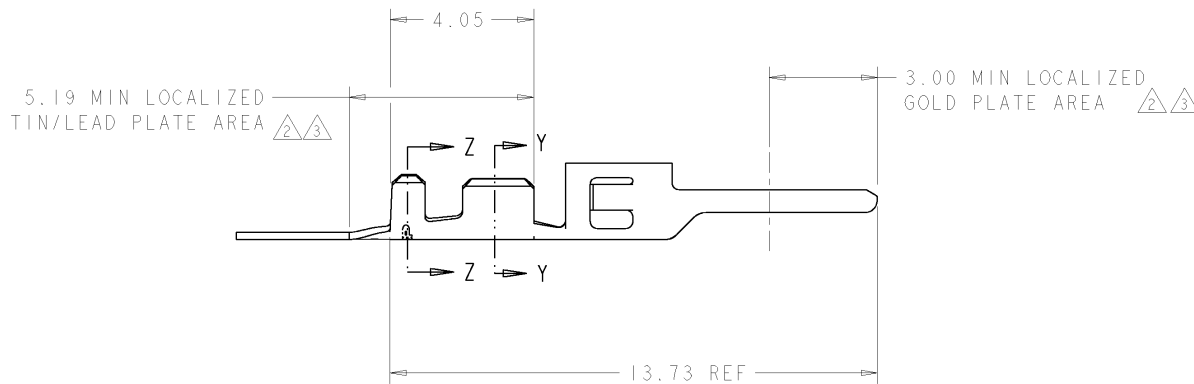


THIS DRAWING IS UNPUBLISHED. RELEASED FOR PUBLICATION 20  
 © COPYRIGHT 20 BY TYCO ELECTRONICS CORPORATION. ALL RIGHTS RESERVED.

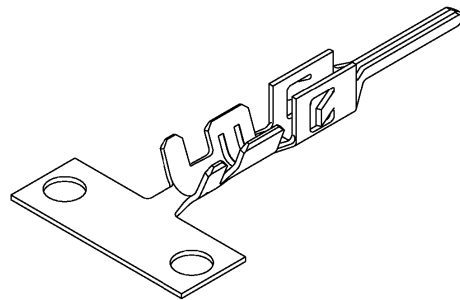
LOC	DIST	REVISIONS					
CM	00	P	LTN	DESCRIPTION	DATE	DRN	APVD
		B		REVISED PER 0G3B-0289-03	24-JUN-03	RW	CJ
		C		REVISED PER 0G3B-0519-03	24-JUN-03	RW	CJ



- △ 2.54 μm MIN BRIGHT TIN/LEAD ENTIRE STOCK OVER 1.27 μm MIN NICKEL ENTIRE STOCK.
- △ 0.38 μm MIN GOLD IN LOCALIZED GOLD PLATE AREA, 2.54 μm MIN BRIGHT TIN/LEAD IN LOCALIZED TIN/LEAD PLATE AREA, BOTH OVER 1.27 μm MIN NICKEL ON ENTIRE STOCK.
- △ 0.76 μm MIN GOLD IN LOCALIZED GOLD PLATE AREA, 2.54 μm MIN BRIGHT TIN/LEAD IN LOCALIZED TIN/LEAD PLATE AREA, BOTH OVER 1.27 μm MIN NICKEL ON ENTIRE STOCK.
- 4. WIRE RANGE 20-24 AWG.
- 5. INSULATION RANGE 0.89-1.52
- △ 2.54 μm MIN BRIGHT TIN ENTIRE STOCK OVER 1.27 μm MIN NICKEL ENTIRE STOCK.



△ 6	1-794608-0
△ 5	794608-3
△ 4	794608-2
△ 3	794608-1
FINISH	PART NUMBER



METRIC

THIS DRAWING IS A CONTROLLED DOCUMENT OF TYCO ELECTRONICS CORPORATION. IT IS SUBJECT TO CHANGE AND THE USER HAS THE OBLIGATION TO CONTACT THE USER SERVICE DEPARTMENT FOR THE LATEST REVISIONS AND DATE.		DRN	W J RUDY	29AUG2000	Tyco Electronics Harrisburg, PA 17105-3608
DIMENSIONS:		CHK	W DAVIS	29AUG2000	
TOLERANCES UNLESS OTHERWISE SPECIFIED:		APVD	W DAVIS	29AUG2000	
0 PLC ± 1 PLC ± 2 PLC ±0.13 3 PLC ± 4 PLC ± ANGLES ° ± FINISH -		NAME	PLUG CONTACT, CRIMP SNAP, 20-24 AWG, MICRO MATE-N-LOK™		
MATERIAL	0.20 THK BRASS	SIZE	A2	CAGE CODE	00779
CUSTOMER DRAWING		DRAWING NO	C-794608		RESTRICTED TO
		SCALE	10:1	SHEET	1 OF 1
		REV	C		

单击下面可查看定价，库存，交付和生命周期等信息

[>>TE Connectivity\(泰科\)](#)