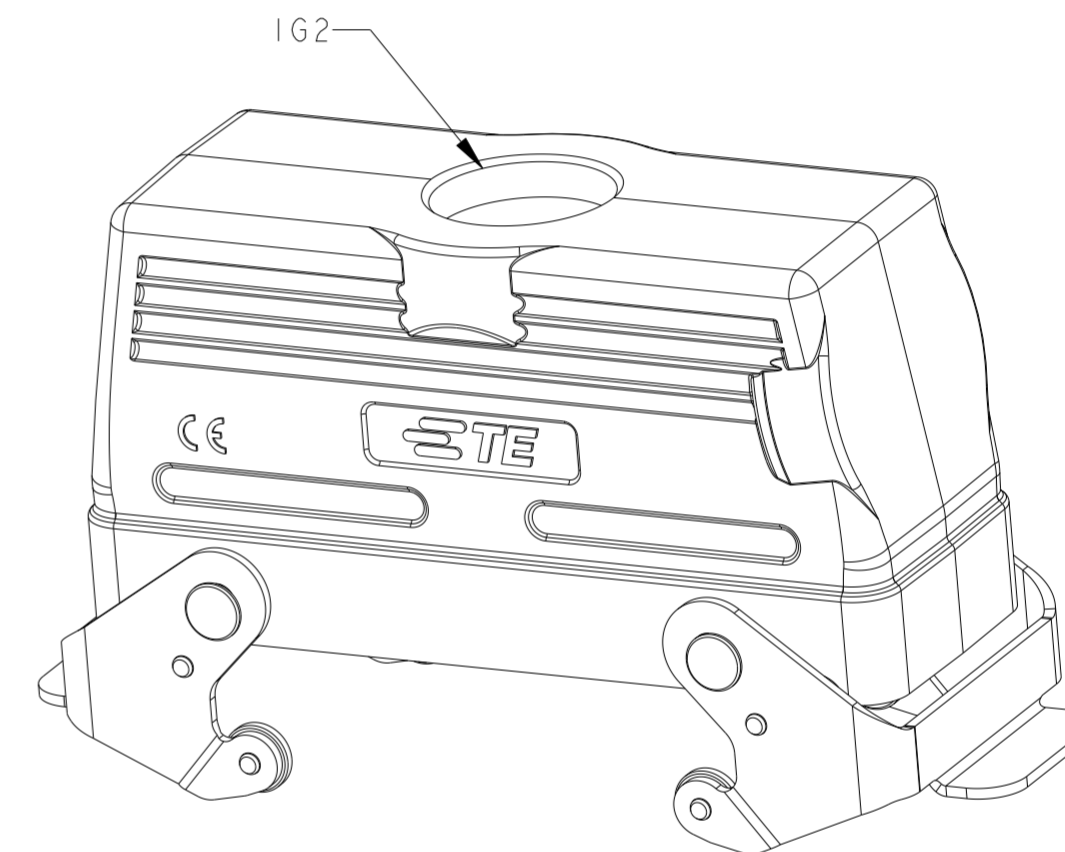
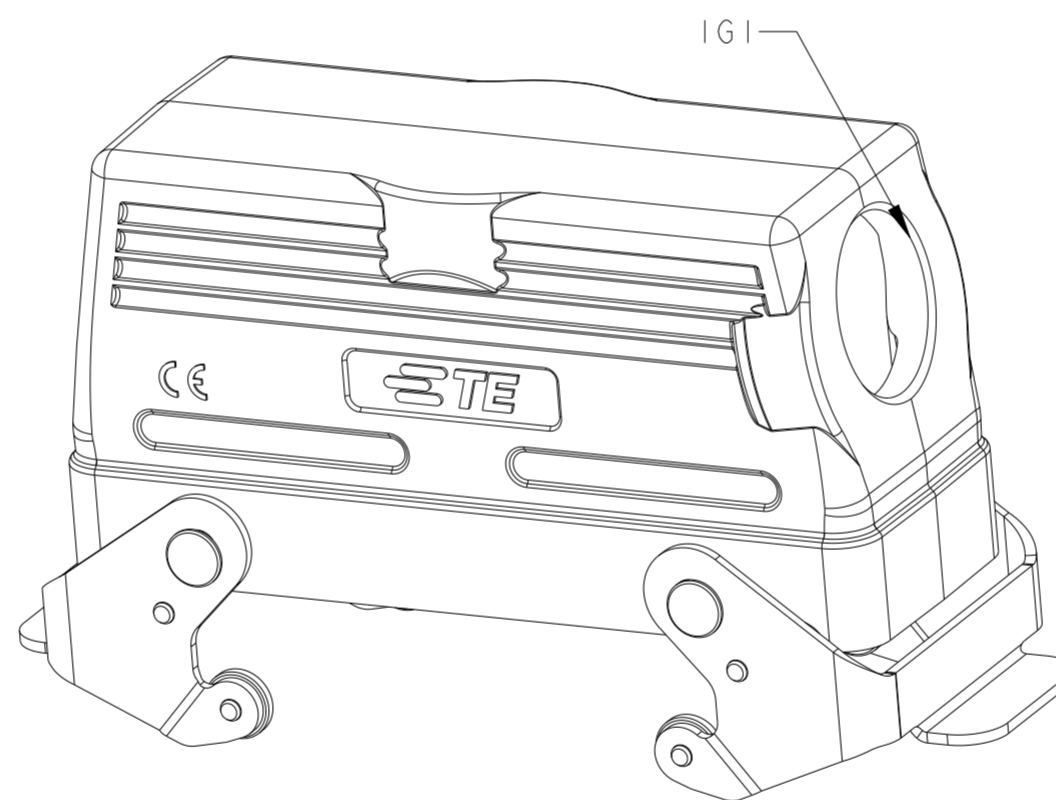
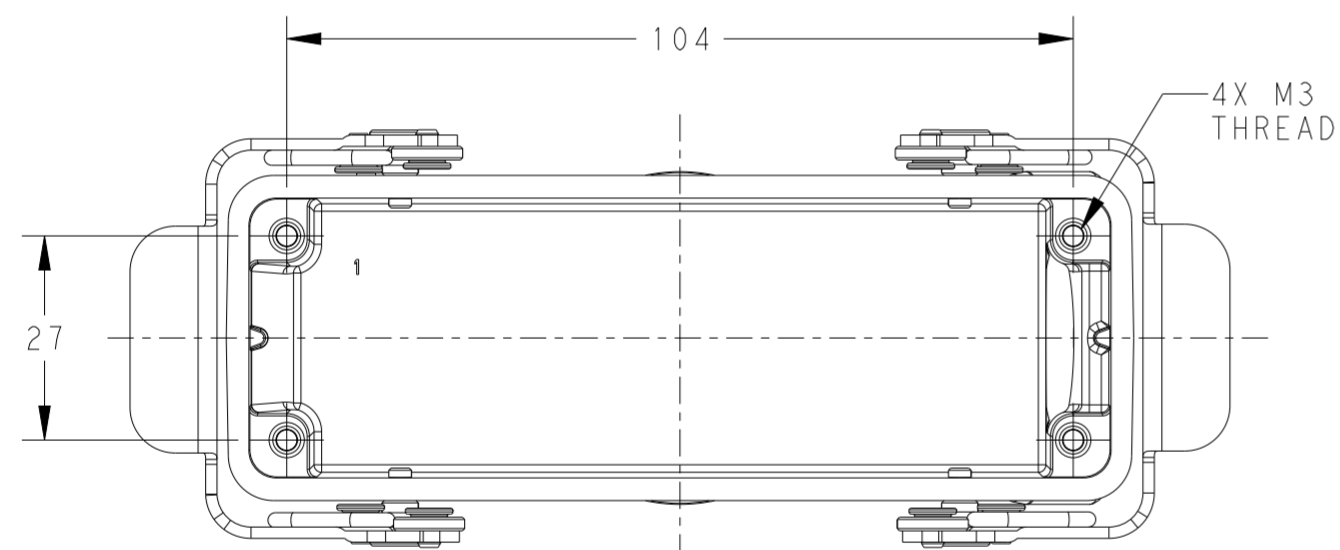
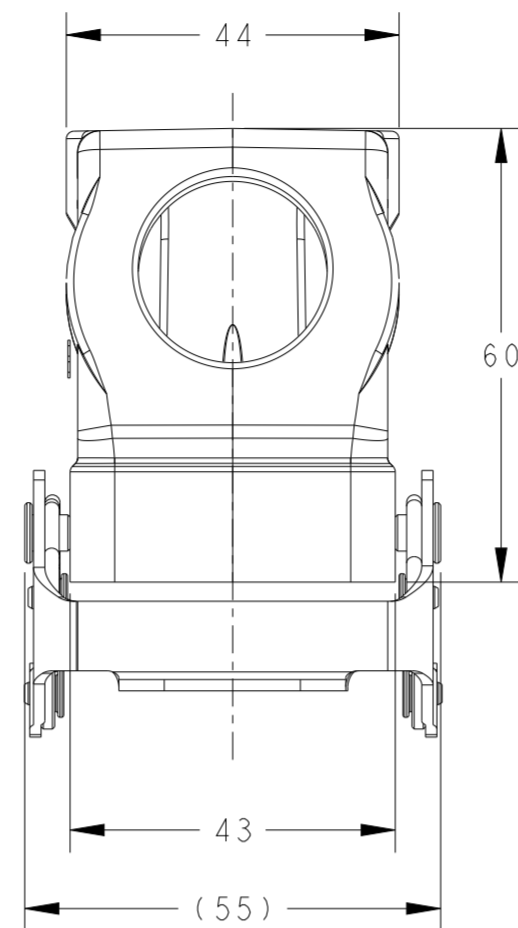
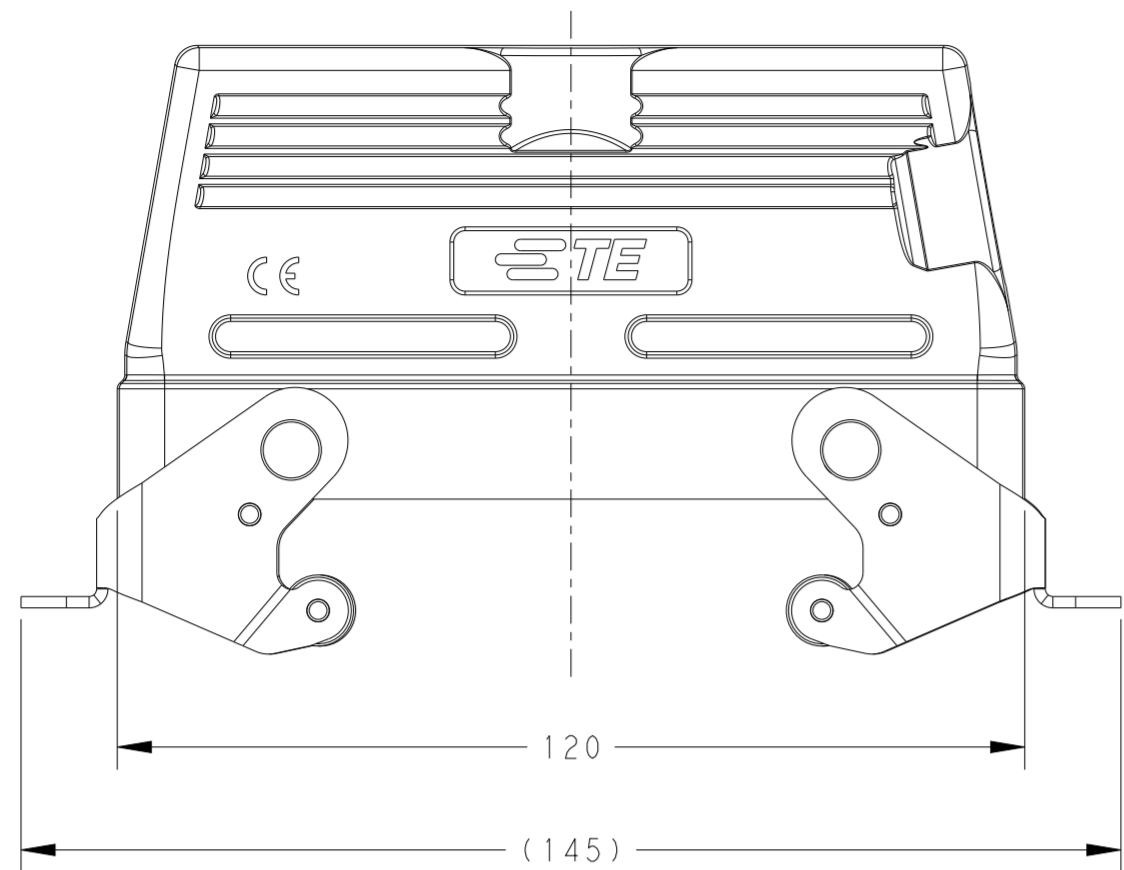


THIS DRAWING IS UNPUBLISHED. RELEASED FOR PUBLICATION 20
 © COPYRIGHT 20 BY - ALL RIGHTS RESERVED.

REVISIONS				
P	LTR	DESCRIPTION	DATE	APVD
A		INITIAL	06JUN2015	DW CW
B		ECR-20-014876	06NOV2020	WOR CW

NOTES:
 1. TECHNICAL CHARACTERISTICS:
 HOOD MATERIAL: DIE CAST ALUMINIUM ALLOY
 SURFACE: POWDER COATED, GREY
 DEGREE OF PROTECTION: IP65 (MATED)

注释:
 1. 技术参数:
 上壳材料: 铝合金
 表面处理: 粉末涂层, 灰色
 防护等级: IP65(配合)



TYPE 1: LOW CONSTRUCTION, SIDE ENTRY WITH STAINLESS STEEL LOCKING

TYPE 2: LOW CONSTRUCTION, TOP ENTRY WITH STAINLESS STEEL LOCKING
 OTHER SPEC REFER TO TYPE 1

T1250243121-000	TYPE 1	H24B-TSBS-PG21	PG21	-
T1250243125-000		H24B-TSBS-M25	M25	-
T1250243132-000		H24B-TSBS-M32	M32	-
T1260243121-000	TYPE 2	H24B-TGBS-PG21	-	PG21
T1260243125-000		H24B-TGBS-M25	-	M25
T1260243129-000		H24B-TGBS-PG29	-	PG29
T1260243132-000		H24B-TGBS-M32	-	M32
PART NUMBER	TYPE	DESCRIPTION	IG1	IG2

THIS DRAWING IS A CONTROLLED DOCUMENT.		DWN David Wang 06JUN2015	TE Connectivity	
		CHK Chris Wang 06JUN2015		
DIMENSIONS: mm		APVD Xiang Xu 06JUN2015	NAME H24B-TSBS/TGBS-M/PG	
TOLERANCES UNLESS OTHERWISE SPECIFIED:		PRODUCT SPEC 108-137013	RESTRICTED TO	
0 PLC ±		APPLICATION SPEC 114-137013	SIZE A2	CAGE CODE 00779
1 PLC ±		WEIGHT -	DRAWING NO C-T12X02431XXX00	SCALE 1:1
2 PLC ±		Customer Drawing	SHEET 1 OF 1	REV B
3 PLC ±				
4 PLC ±				
ANGLES ±				
FINISH -				

单击下面可查看定价，库存，交付和生命周期等信息

[>>TE Connectivity\(泰科\)](#)