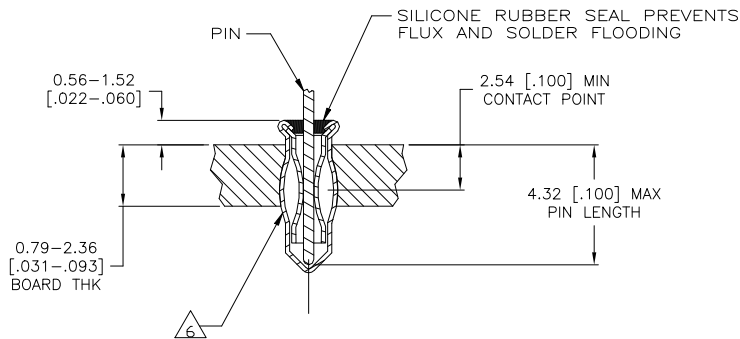
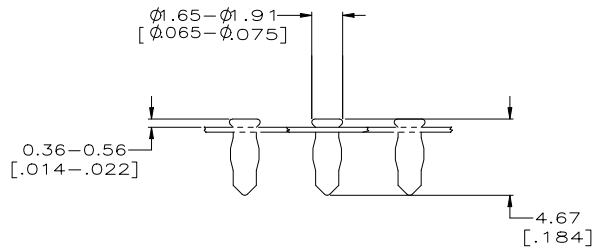
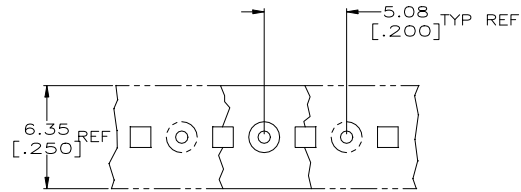


REVISIONS				
P	LTR	DESCRIPTION	DATE	OWN APD
B		REVISED PER ECO-21-002295	18FEB2021	ES SZ



- 1 MATERIAL:
EYELET - COPPER PER ASTM B 152
SPRING - BERYLLIUM COPPER PER ASTM B 194
SEALANT - SILICONE RUBBER
- 2 TIN PLATE PER ASTM B 545, 0.00254 [.000100] MIN THK.
- 3 GOLD PLATE PER ASTM B 488, 0.00076 [.000030] MIN THK ON CONTACT AREA.
- 4 PACKAGED, 50,000 PER REEL
- 5 TO INSURE 1/2 OZ MIN RETENTION DO NOT EXCEED 0.10 [.004] DIFFERENCE IN PIN DIA WHEN CHANGING TO A SMALLER DIA PIN
- 6 PRODUCT IS OVALIZED FOR RETENTION IN THE P.C. BOARD. THE RECOMMENDED HOLE DIAMETER IS Ø1.32 [Ø.052] MINIMUM, +0.08 [.003] MAX. PRIOR TO SOLDERING.
- 7 PACKAGED, 10,000 PER REEL
- 8 LOOSE PIECE PACKAGED

OBsolete	2.54-4.32 [.100-.170]	Ø0.36-Ø0.66 [Ø.014-Ø.026]	TIN 2	TIN 2	8-2-5645955-1
	2.54-4.32 [.100-.170]	Ø0.36-Ø0.66 [Ø.014-Ø.026]	GOLD 3	TIN 2	1-5645955-2
	2.54-4.32 [.100-.170]	Ø0.36-Ø0.66 [Ø.014-Ø.026]	TIN 2	TIN 2	1-5645955-1
	2.54-4.32 [.100-.170]	Ø0.36-Ø0.66 [Ø.014-Ø.026]	GOLD 3	TIN 2	5645955-2
	LENGTH	DIA 5	SPRING	EYELET	PART NO.

THIS DRAWING IS A CONTROLLED DOCUMENT.		DWN J. POLIGNONE 25JAN06			
DIMENSIONS: mm [INCHES]		CHK J. HAVENER 25JAN06			
TOLERANCES UNLESS OTHERWISE SPECIFIED:		APD J. HAVENER 25JAN06	NAME		
0 PLC ± -		MINIATURE SPRING SOCKET ASSY			
1 PLC ± -		SERIES 2 LONG			
2 PLC ± -		WITH SEALANT			
3 PLC ± 0.20[008]		PRODUCT SPEC 108-14008			
4 PLC ± -		APPLICATION SPEC 114-26004			
ANGLES ± A		SIZE A2			
MATERIAL 1		WEIGHT 0		CAGE CODE 00779	DRAWING NO C=5645955
FINISH SEE TABLE		CUSTOMER DRAWING		SCALE 1:1	SHEET 1 of 1
				RESTRICTED TO B	REV B

单击下面可查看定价，库存，交付和生命周期等信息

[>>TE Connectivity\(泰科\)](#)