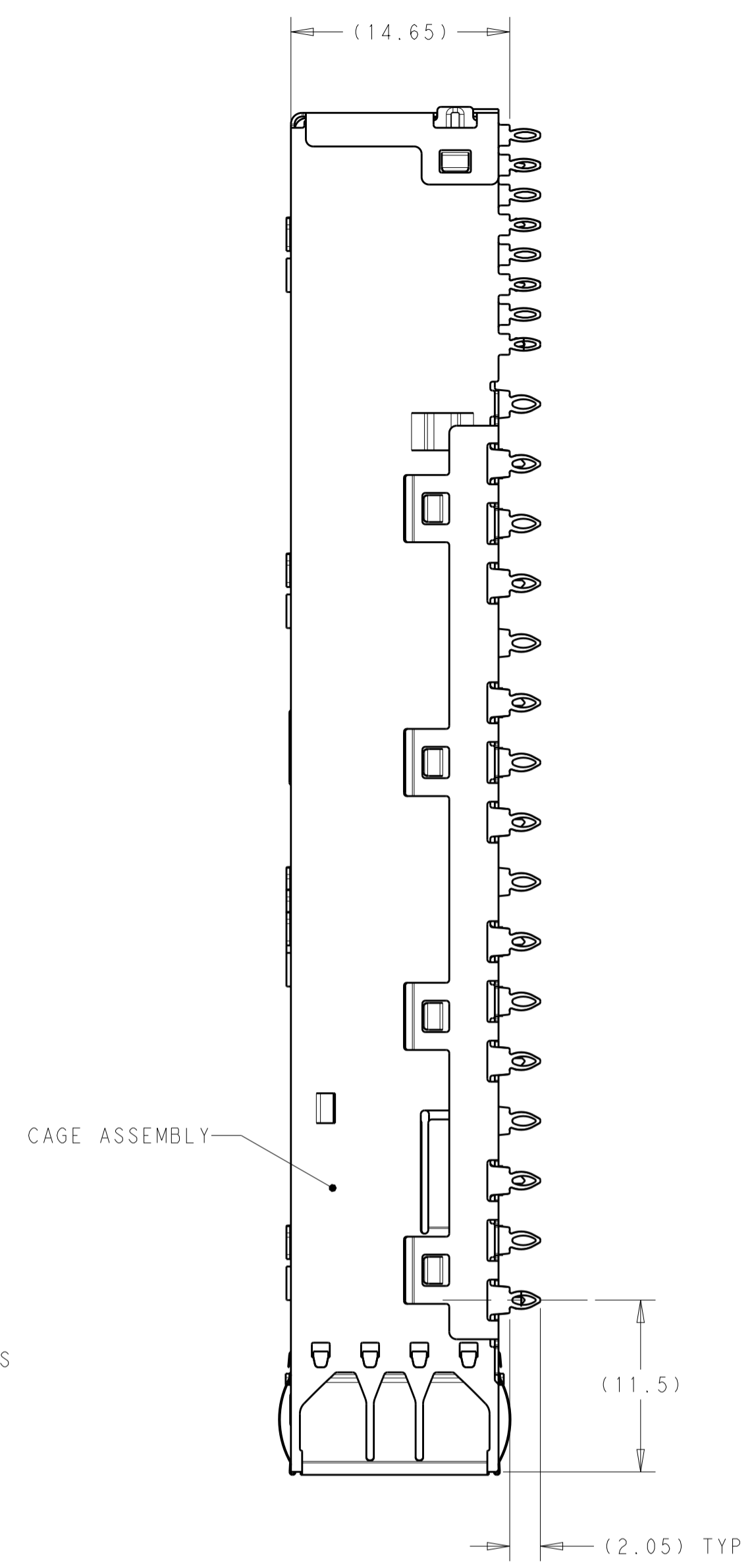
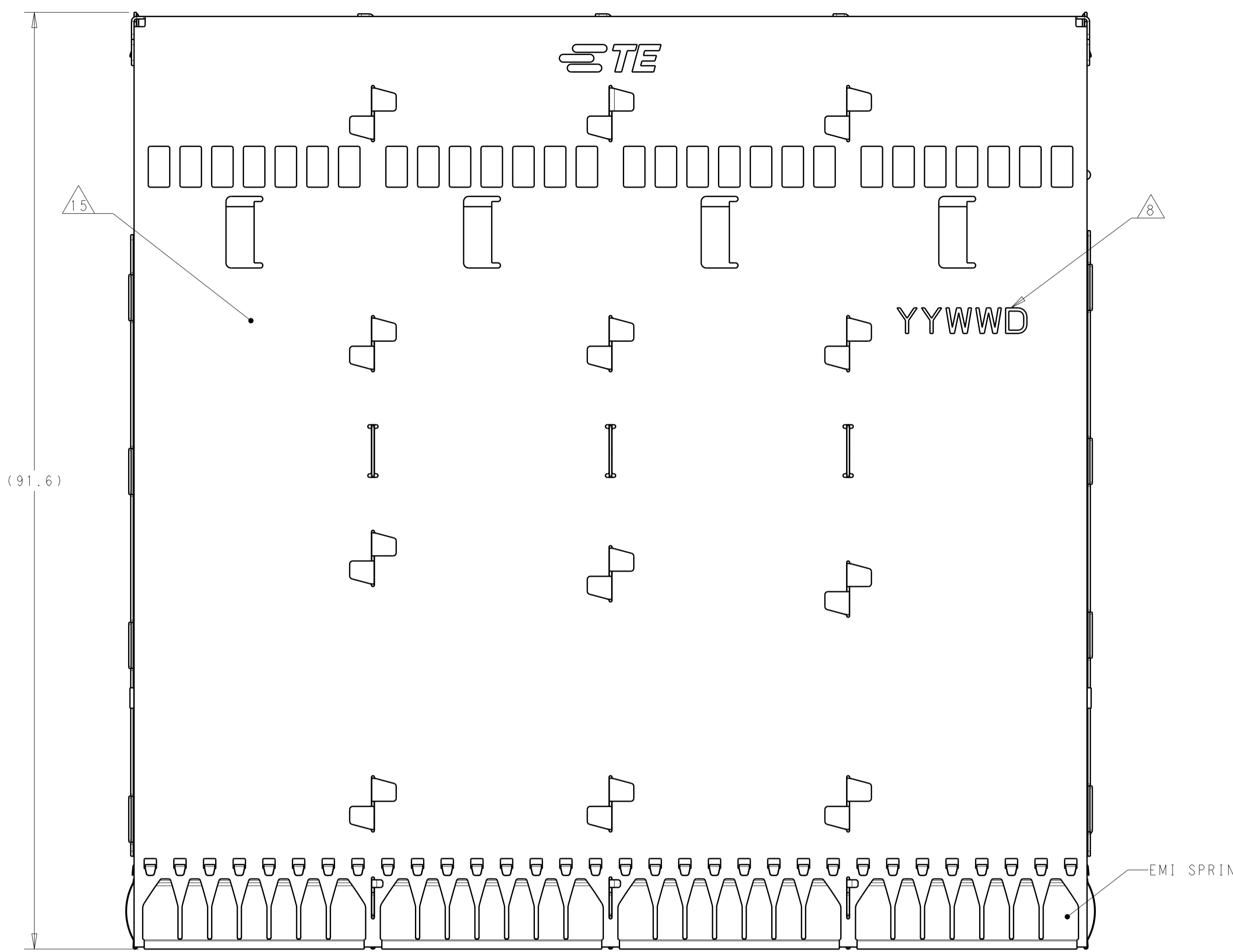
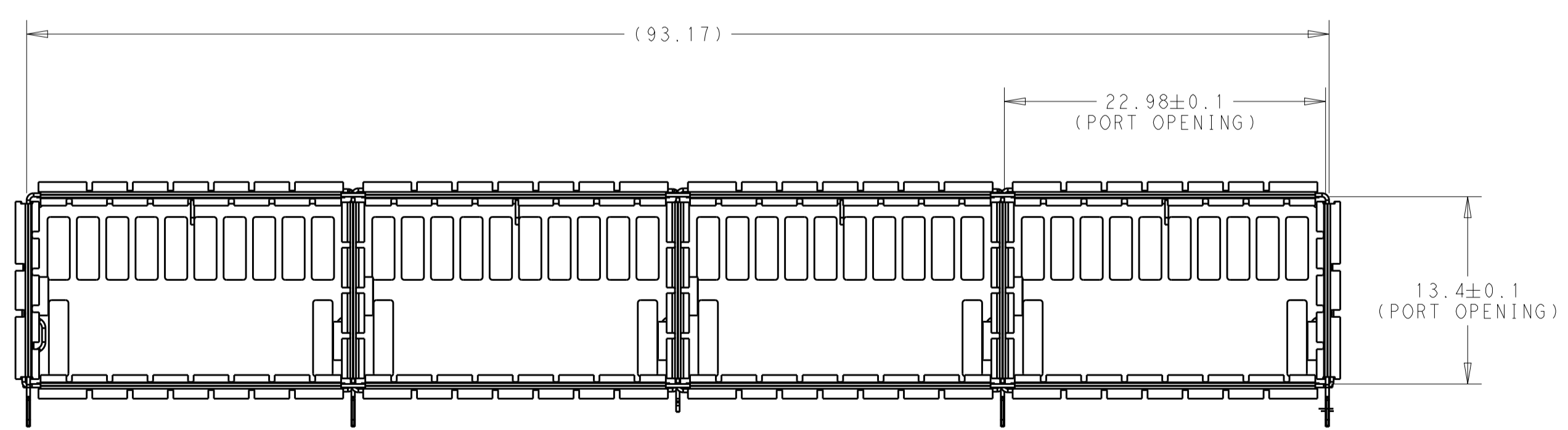


REVISIONS				
P.	LTN	DESCRIPTION	DATE	OWN APVD
A		RELEASED	18JUN2018	CJV EDB
B		REVISED	12SEP2018	CJV EDB
E		REVISED PER ECO-20-002354	05DEC2019	ES SH
E1		REVISED PER ECO-20-018166	28DEC2020	ES SZ



2338495-1 AS SHOWN



- 1 CAGE ASSEMBLY- 0.25mm THICK STAINLESS STEEL.
EMI SPRING- COPPER ALLOY.
LIGHT PIPE- CLEAR POLYCARBONATE.
LIGHT PIPE ORGANIZER- POLYCARBONATE.
LIGHT PIPE BRACKET- STAINLESS STEEL.
- 2 FINISH:
EMI SPRING- 1.27um NICKEL PLATING OVER ALL.
- 3. MATES WITH OSFP MSA COMPLIANT TRANSCEIVERS.
- 4 DATUM AND BASIC DIMENSION ESTABLISHED BY CUSTOMER.
- 5. MINIMUM PC BOARD THICKNESS:
SINGLE SIDE = 1.5MM
DOUBLE SIDE = 2.10MM
- 6 PADS AND VIAS CHASSIS GROUND.
- 7 REFERENCE APPLICATION SPEC 114-XXXX, HOLE A, FOR RECOMMENDED DRILL HOLE DIAMETER AND PLATING THICKNESS.
- 8 DATE CODE MARKED IN APPROXIMATE AREA.
- 9 LIGHT PIPE ASSEMBLY SHOWN ASSEMBLED TO CAGE ASSEMBLY FOR REFERENCE. LIGHT PIPE ASSEMBLY IS SHIPPED UNASSEMBLED FROM CAGE ASSEMBLY.
- 10 LED PLACEMENT AREA FOR 4 LIGHT PIPE DASH NUMBERS.
- 11 LED PLACEMENT AREA FOR 2 LIGHT PIPE DASH NUMBERS.
- 12 LED PLACEMENT AREA FOR 1 LIGHT PIPE DASH NUMBERS.
- 13 ASSEMBLY NOT COMPATIBLE WITH LIGHT PIPES.
- 14 ASSEMBLY COMPATIBLE WITH LIGHT PIPES.
- 15 PART NUMBER MARKED IN APPROXIMATE AREA.
- 16 LOW Br/CI AS DEFINED IN TEC-138-702.
- 17 LIGHT PIPE ASSEMBLY IS SHIPPED ATTACHED TO CAGE ASSEMBLY.
- 18 PACKAGE: HARD TRAY.

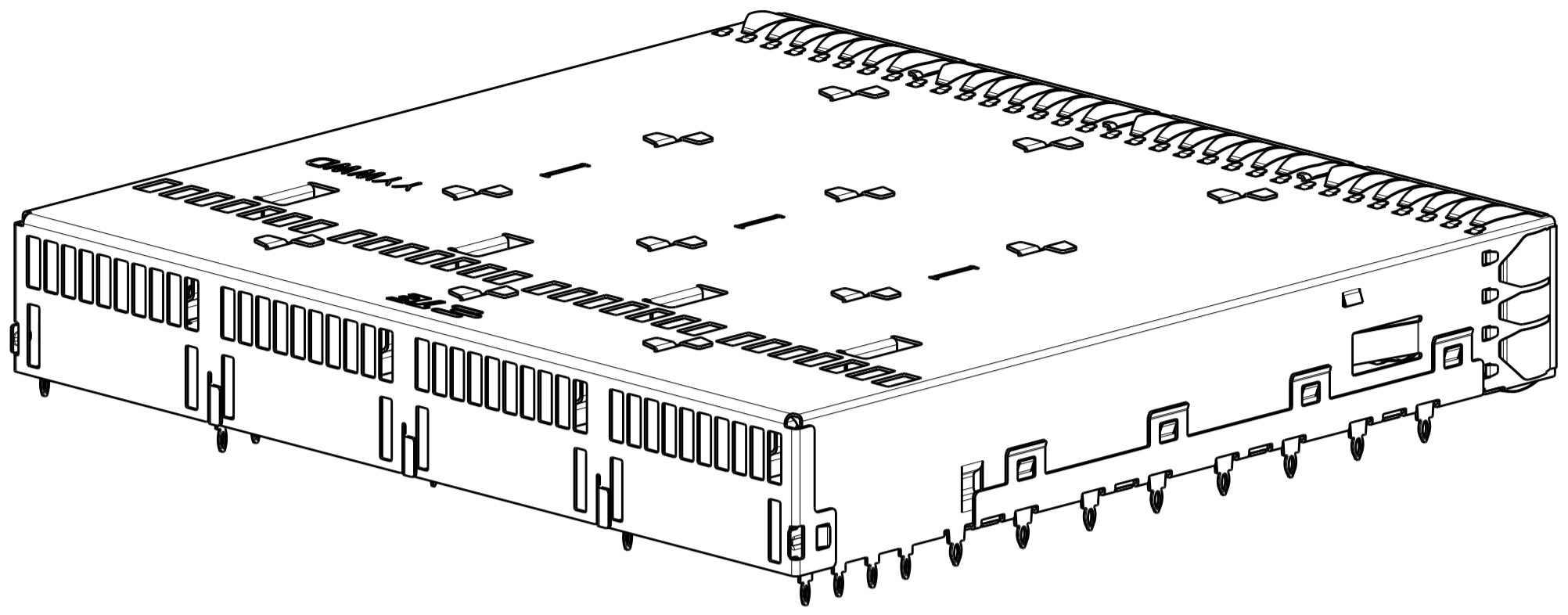
CALLOUT	DESCRIPTION	PART NUMBER
2	WITH EMI SPRINGS	6-2338495-1
16	WITH EMI SPRINGS	5-2338495-3
4	WITH EMI SPRINGS	4-2338495-3
4	WITH EMI SPRINGS	4-2338495-1
2	WITH EMI SPRINGS	2-2338495-3
2	WITH EMI SPRINGS	2-2338495-1
1	WITH EMI SPRINGS	1-2338495-3
1	WITH EMI SPRINGS	1-2338495-1
18, 14	WITH EMI SPRINGS	2338495-6
14	WITH EMI SPRINGS	2338495-5
13	WITHOUT EMI SPRINGS	2338495-4
13	WITH EMI SPRINGS	2338495-3
13	WITHOUT EMI SPRINGS	2338495-2
13	WITH EMI SPRINGS	2338495-1
LIGHT PIPES PER PORT		
DESCRIPTION		PART NUMBER

THIS DRAWING IS A CONTROLLED DOCUMENT.

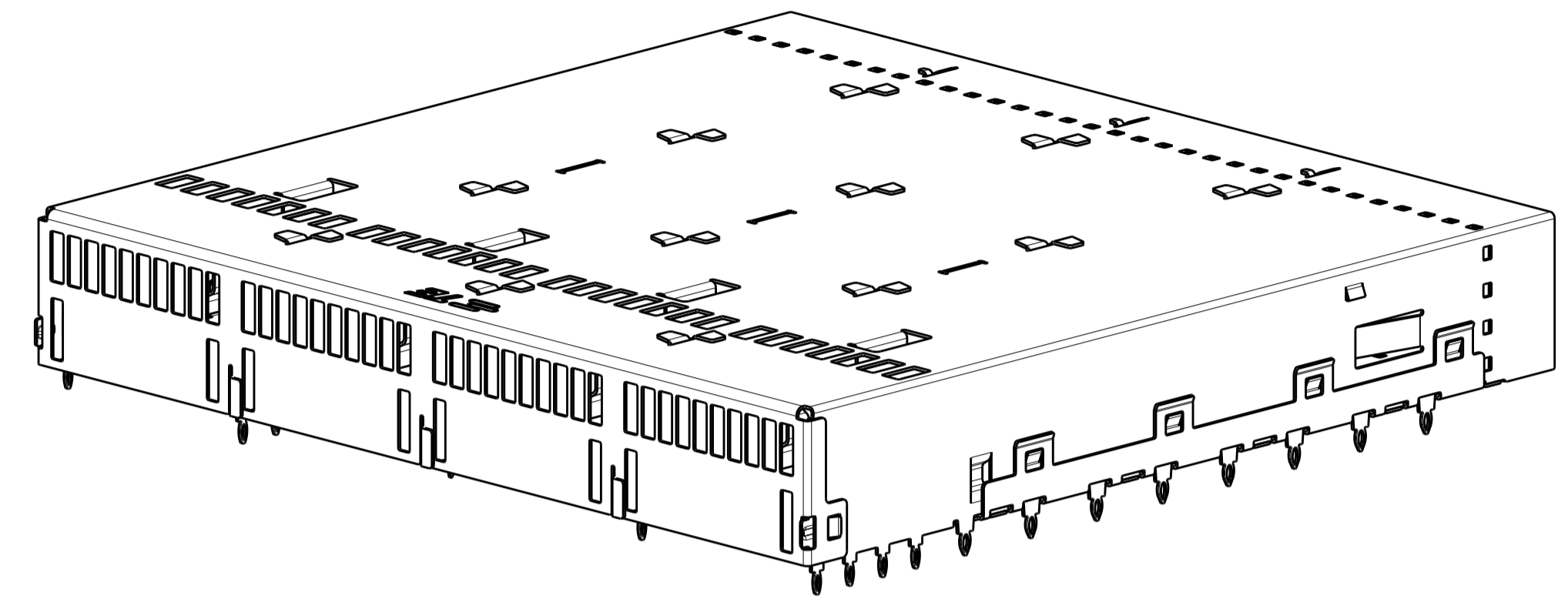
DIMENSIONS:	TOLERANCES UNLESS OTHERWISE SPECIFIED:	OWN: C. VALENTINE 18JUN2018	CHK: D. HARMON 18JUN2018	APVD: D. HARMON 18JUN2018
mm	0 PLC ±0.25 2 PLC ±0.15 3 PLC ±0.10 4 PLC ±0.08 ANGLES ±0.10	NAME: CAGE ASSEMBLY, 1X4, OSFP		
MATERIAL: 1	FINISH: 2	PRODUCT SPEC: 108-60117	APPLICATION SPEC: 114-130009	RESTRICTED TO: A1
CUSTOMER DRAWING		WEIGHT: -	SCALE: 3:1	SHEET 1 OF 8 REV E1

4805 (3/13) Downloaded From oneyac.com

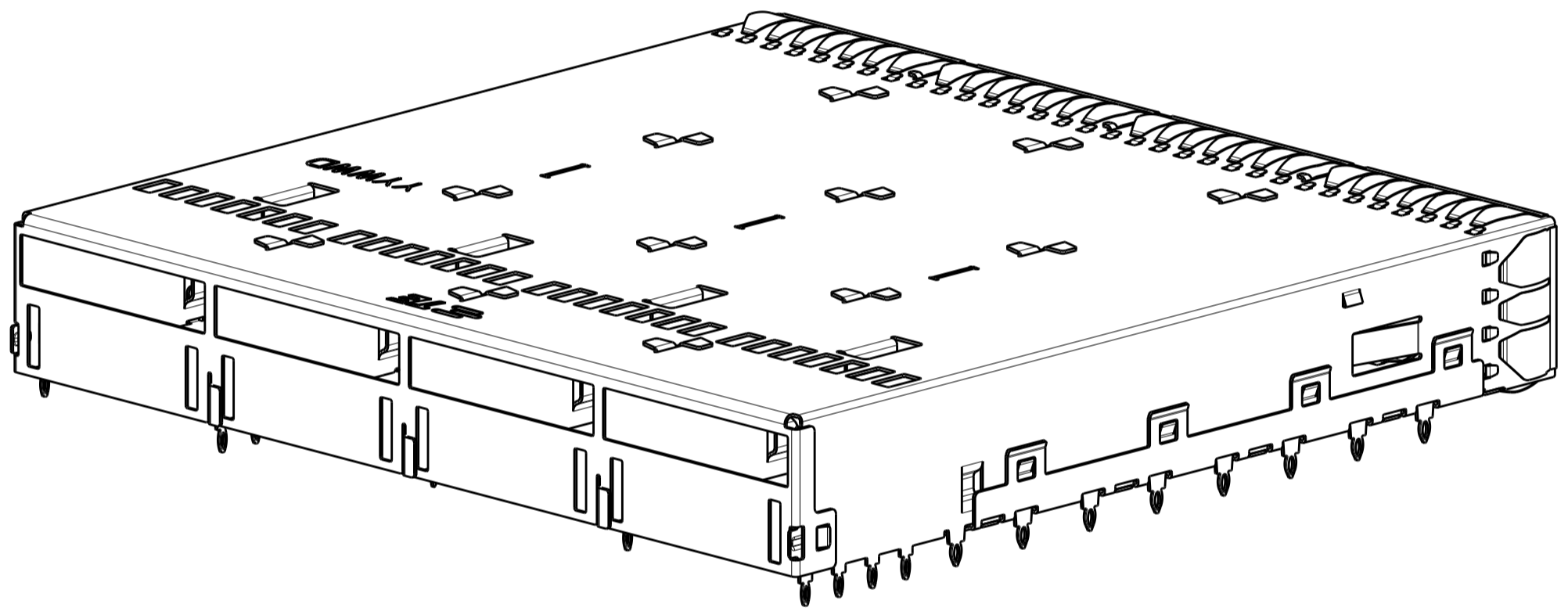
REVISIONS				
P.	LTN	DESCRIPTION	DATE	OWN APVD
-	-	SEE SHEET 1	-	-



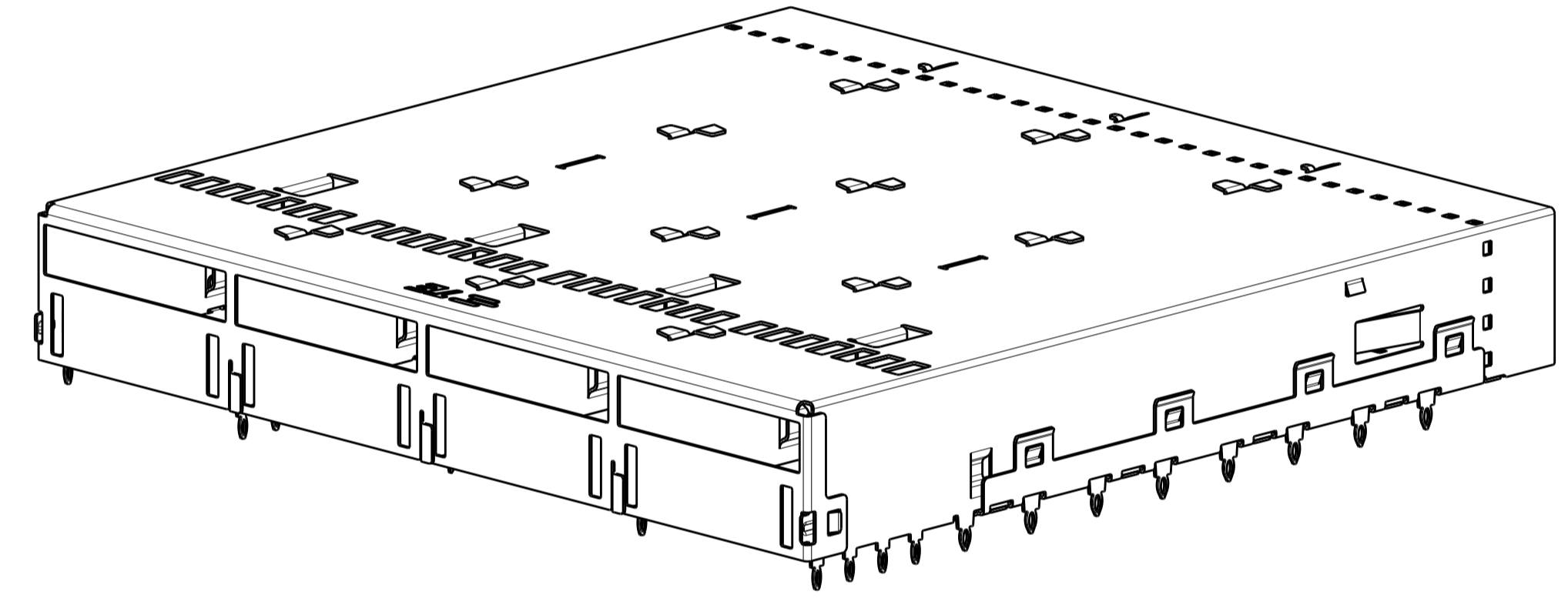
2338495-1
SCALE 2:1



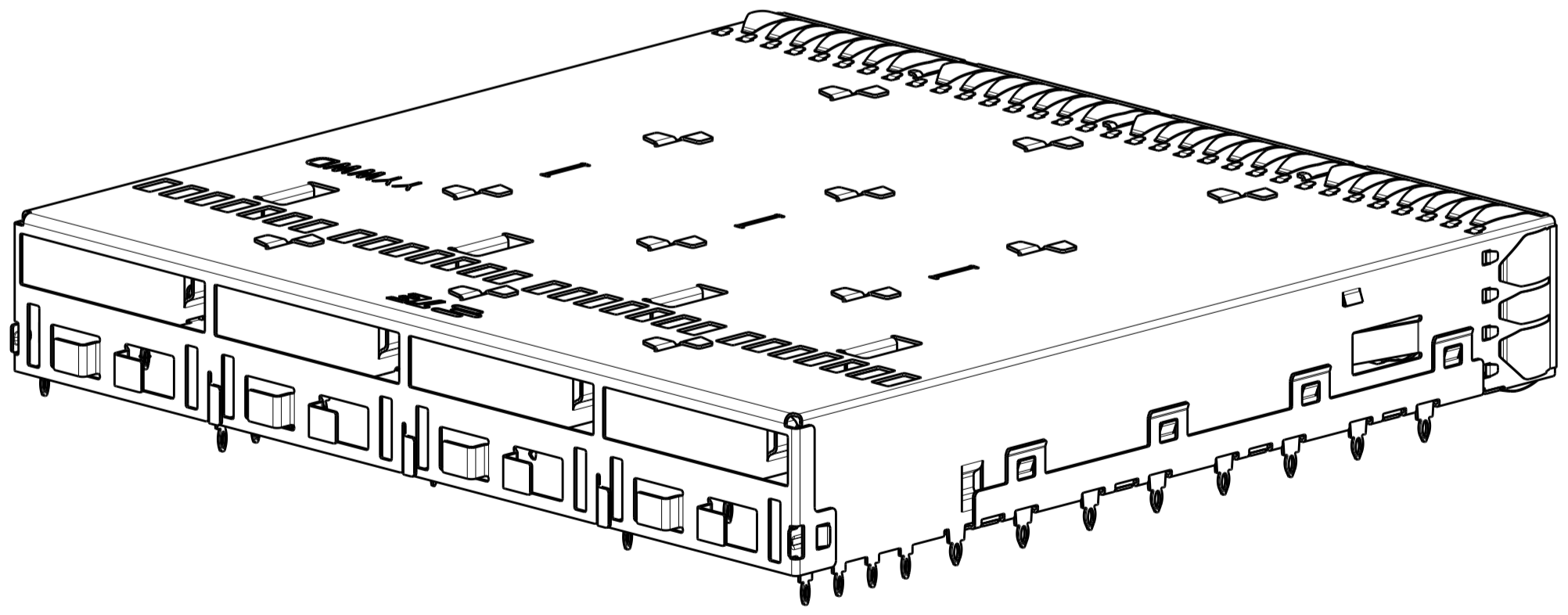
2338495-2
SCALE 2:1



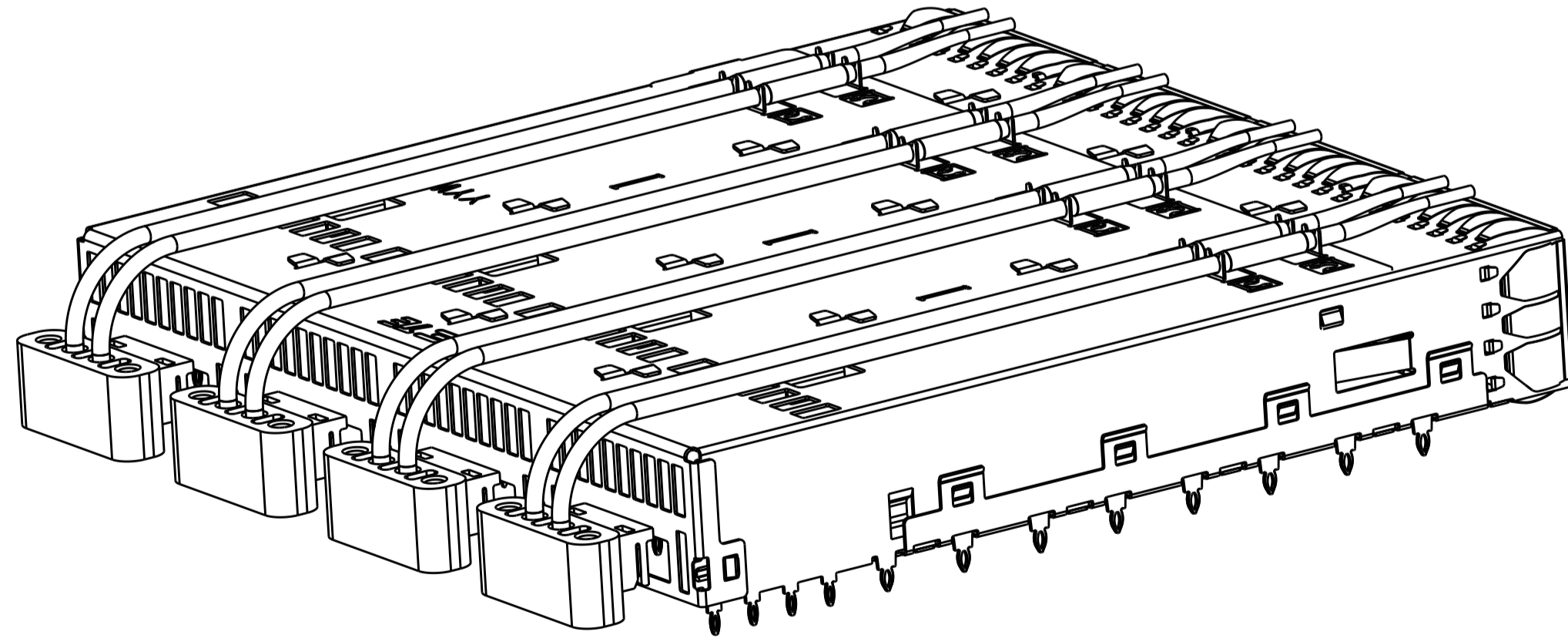
2338495-3
SCALE 2:1



2338495-4
SCALE 2:1



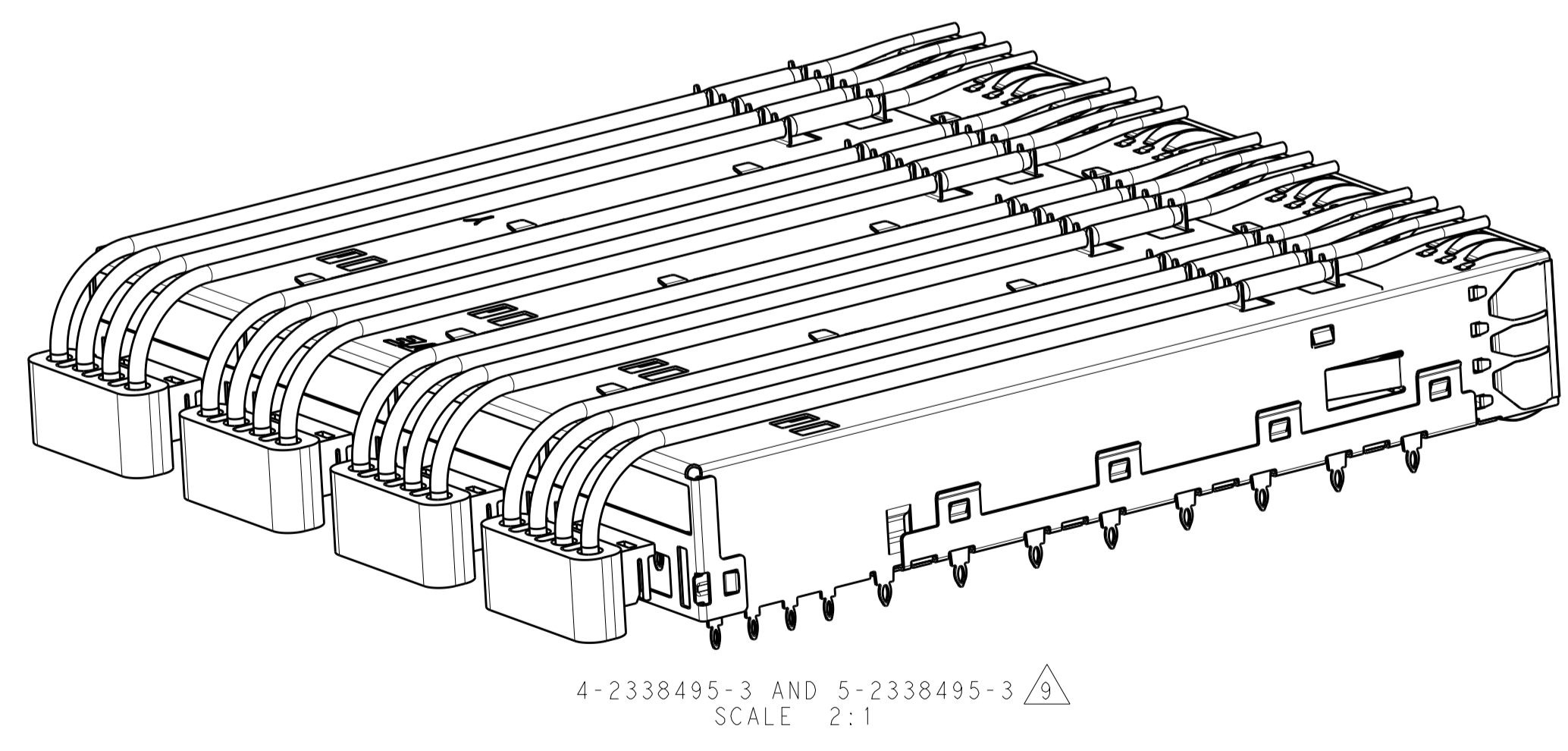
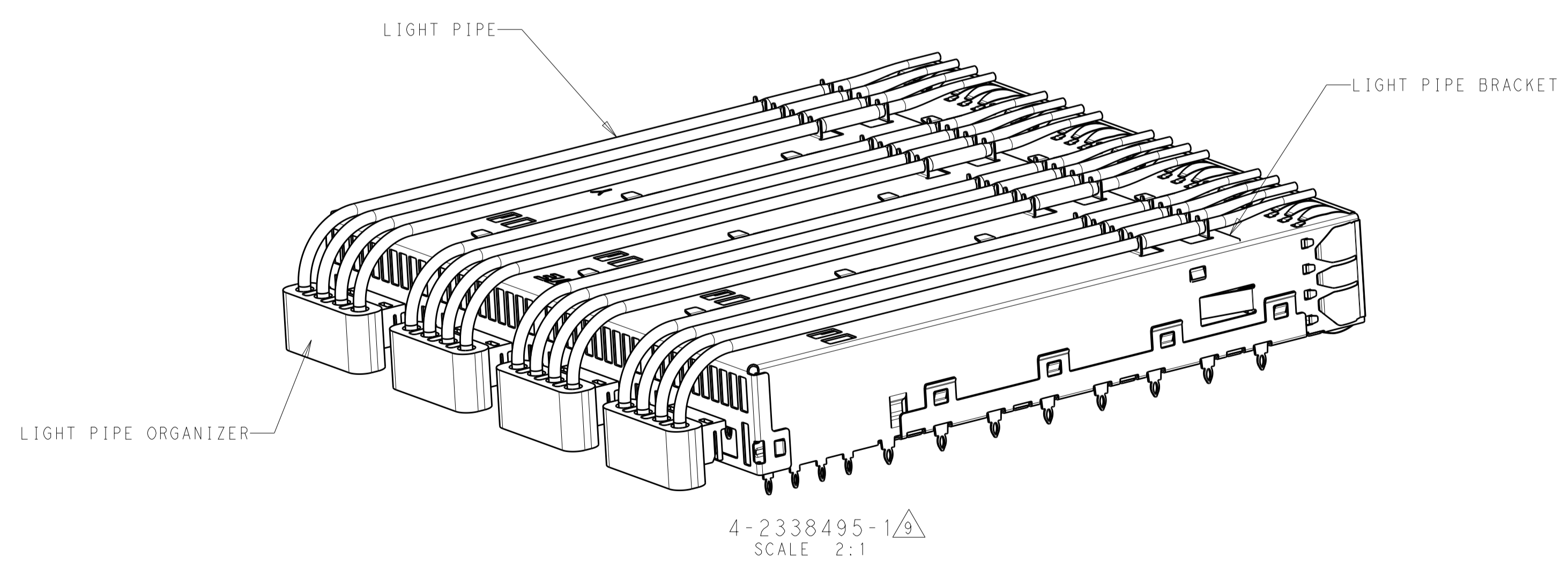
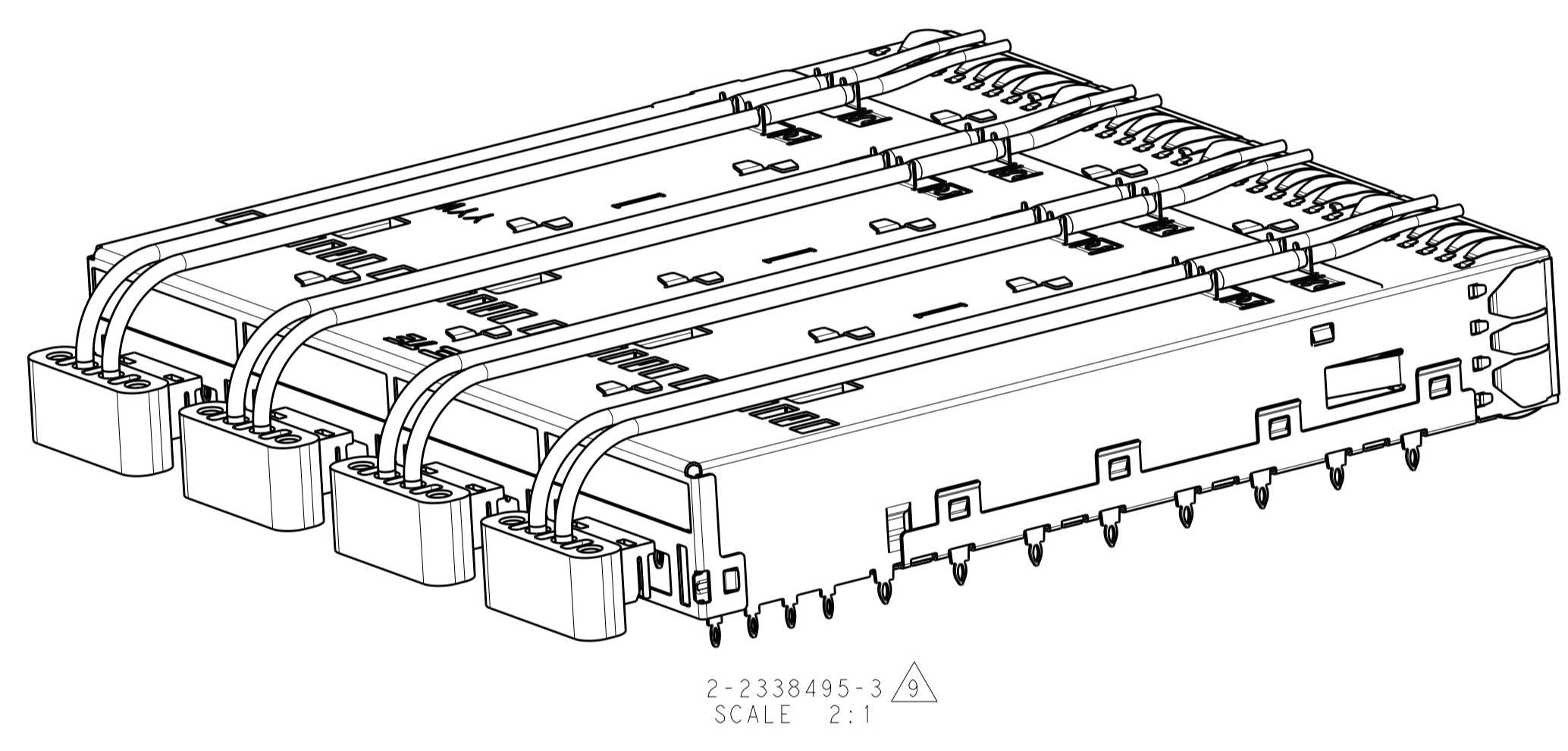
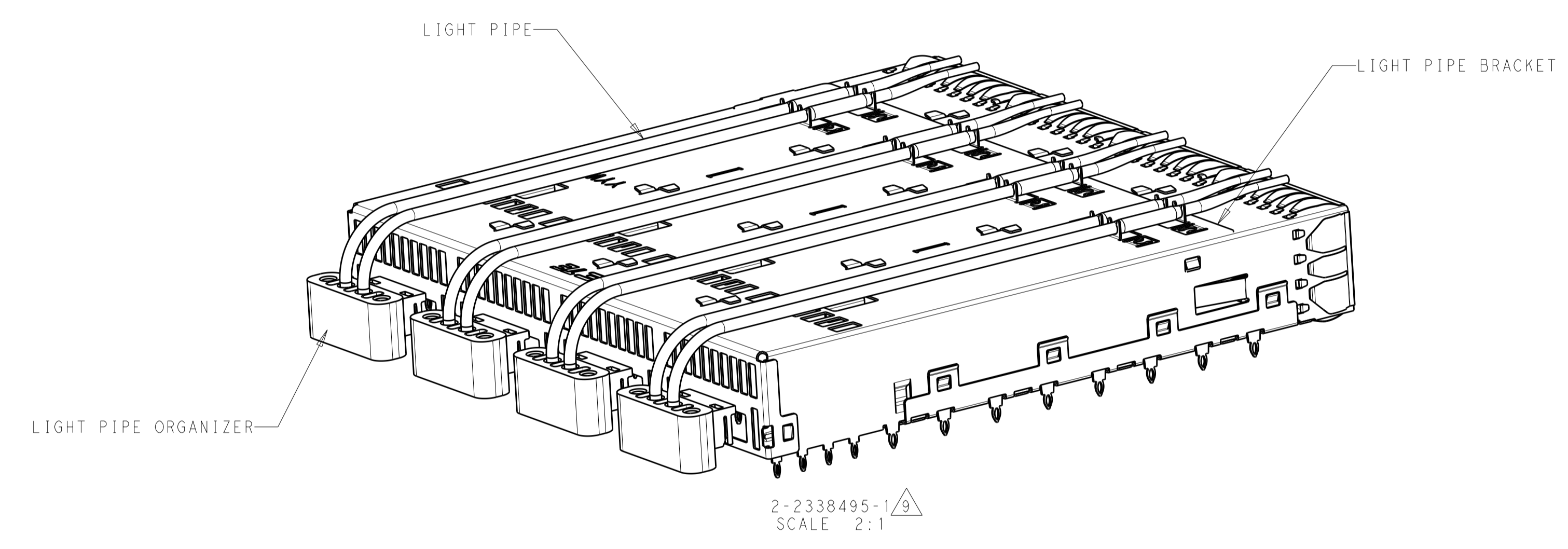
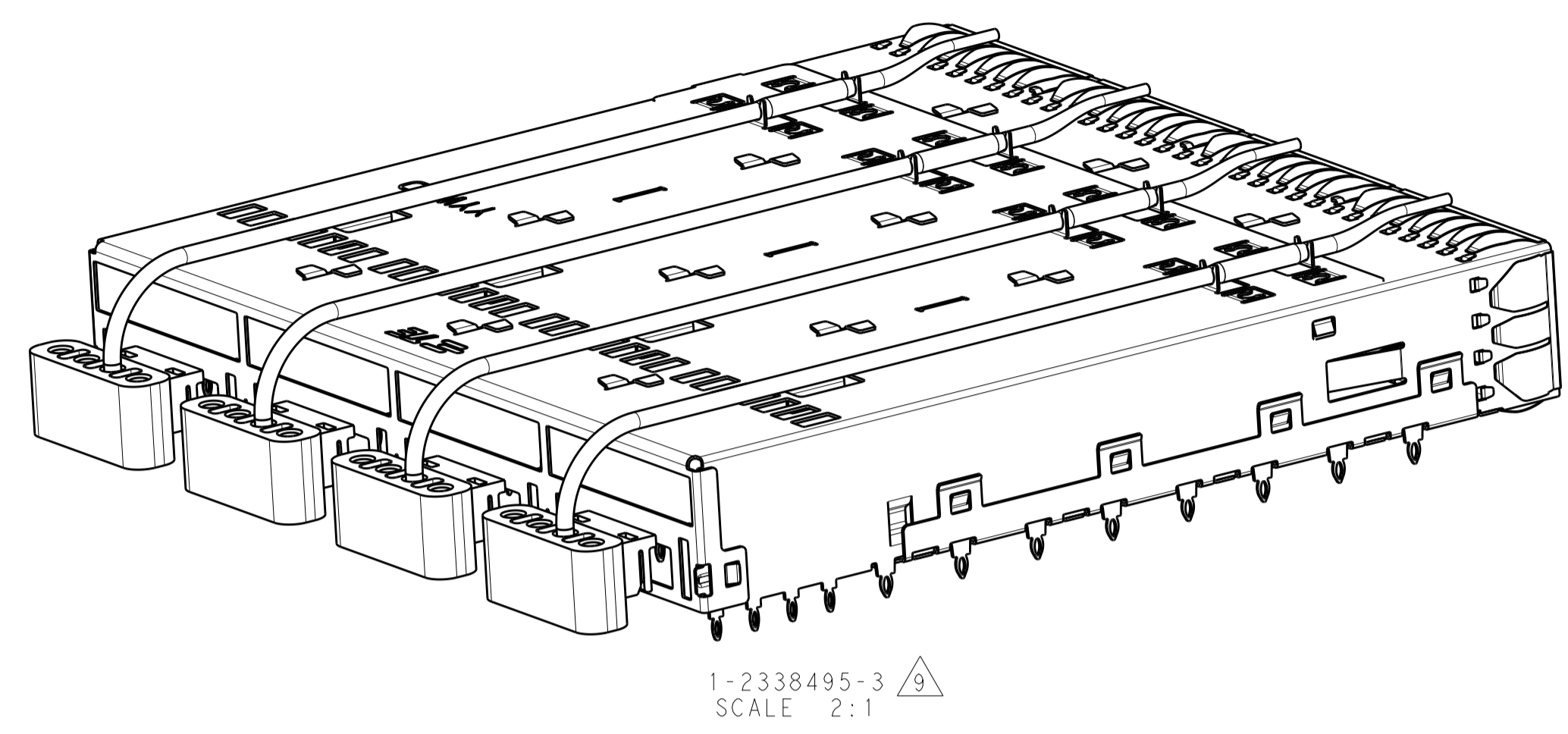
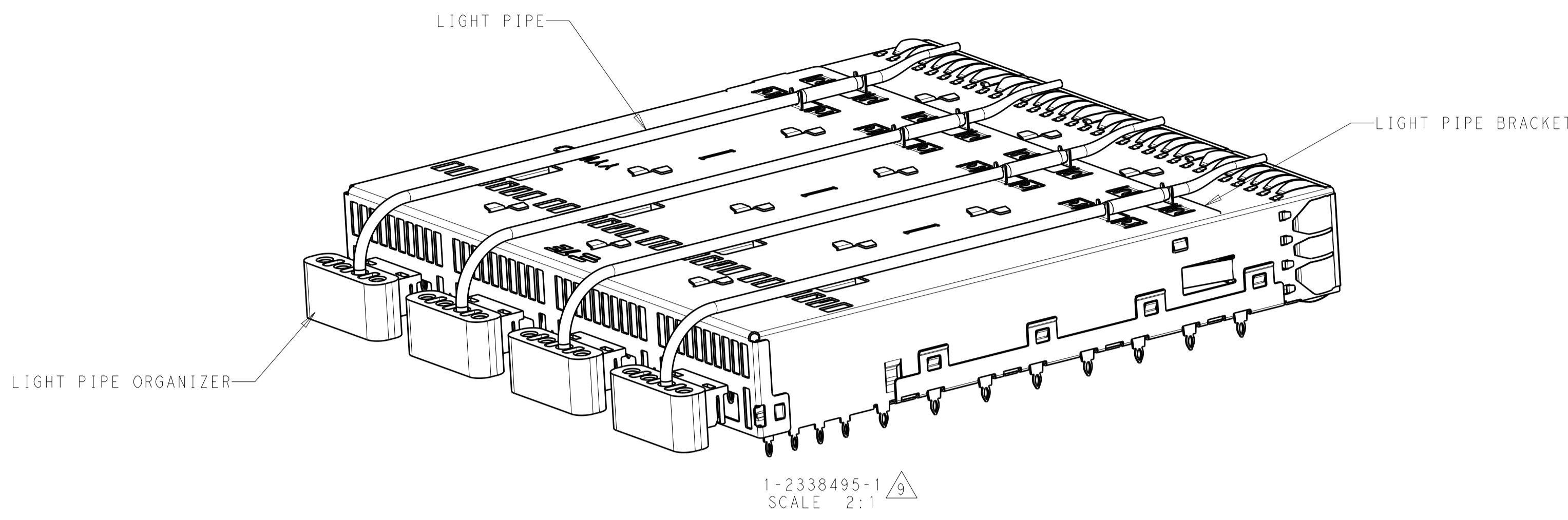
2338495-5 AND 2338495-6
SCALE 2:1



6-2338495-1
SCALE 2:1

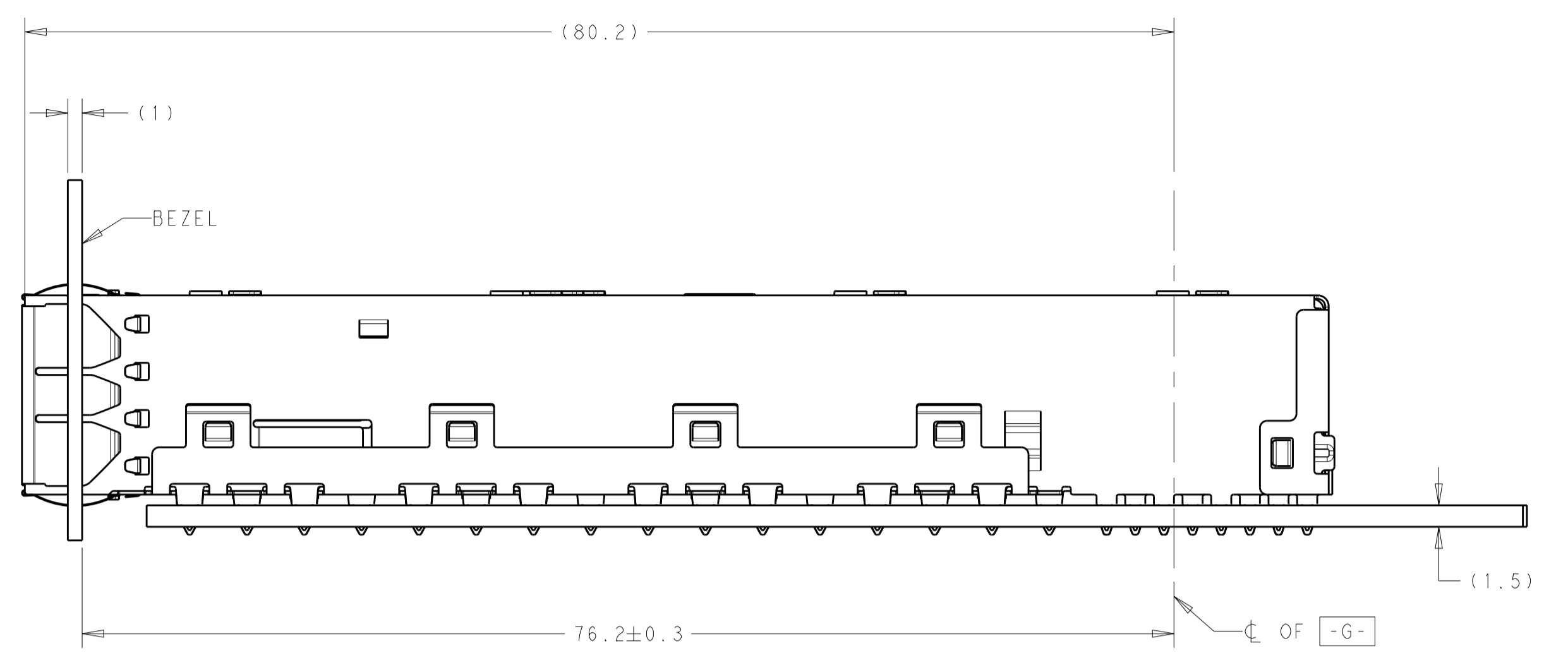
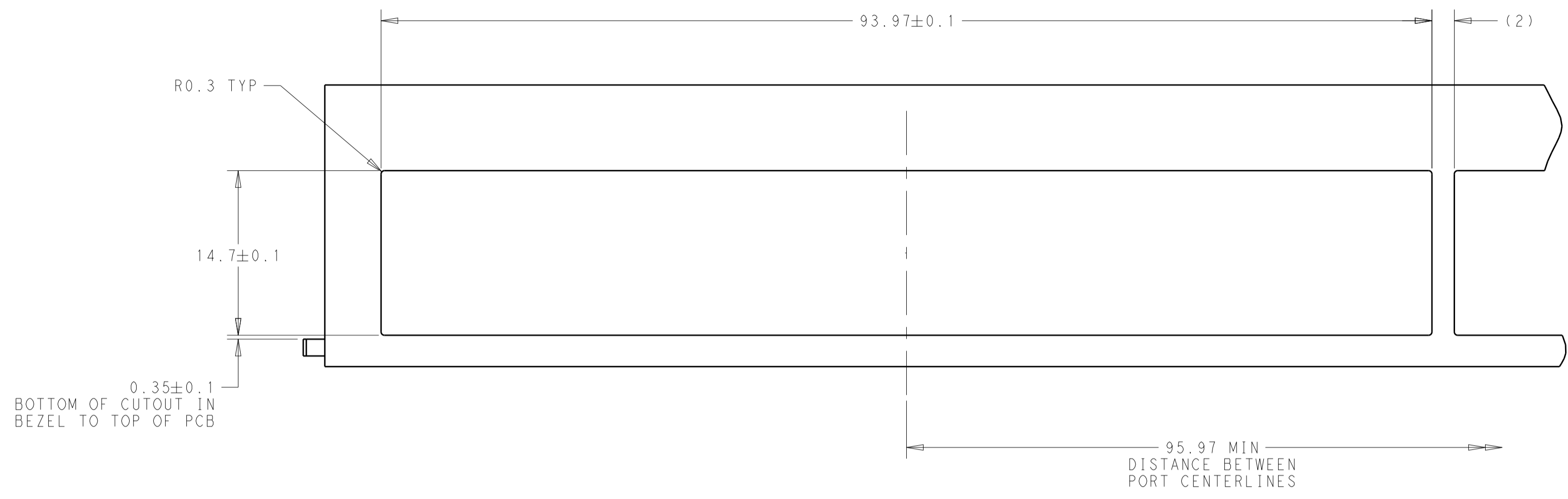
THIS DRAWING IS A CONTROLLED DOCUMENT.		OWN: C. VALENTINE 18JUN2018	TE Connectivity
DIMENSIONS: mm		CHK: D. HARMON 18JUN2018	
TOLERANCES UNLESS OTHERWISE SPECIFIED:		APVD: D. HARMON 18JUN2018	NAME: CAGE ASSEMBLY, 1X4, OSFP
0 PLC ±	1 PLC ±0.25	PRODUCT SPEC	SIZE: A1
2 PLC ±0.15	3 PLC ±0.10	APPLICATION SPEC	CAGE CODE: -
4 PLC ±	ANGLES ±	114-130009	DRAWING NO: C=2338495
MATERIAL:	FINISH:	WEIGHT:	RESTRICTED TO: -
CUSTOMER DRAWING			SCALE: 3:1 SHEET 2 OF 8 REV: E1

REVISIONS				
P.	LTN	DESCRIPTION	DATE	APVD
-	-	SEE SHEET 1	-	-

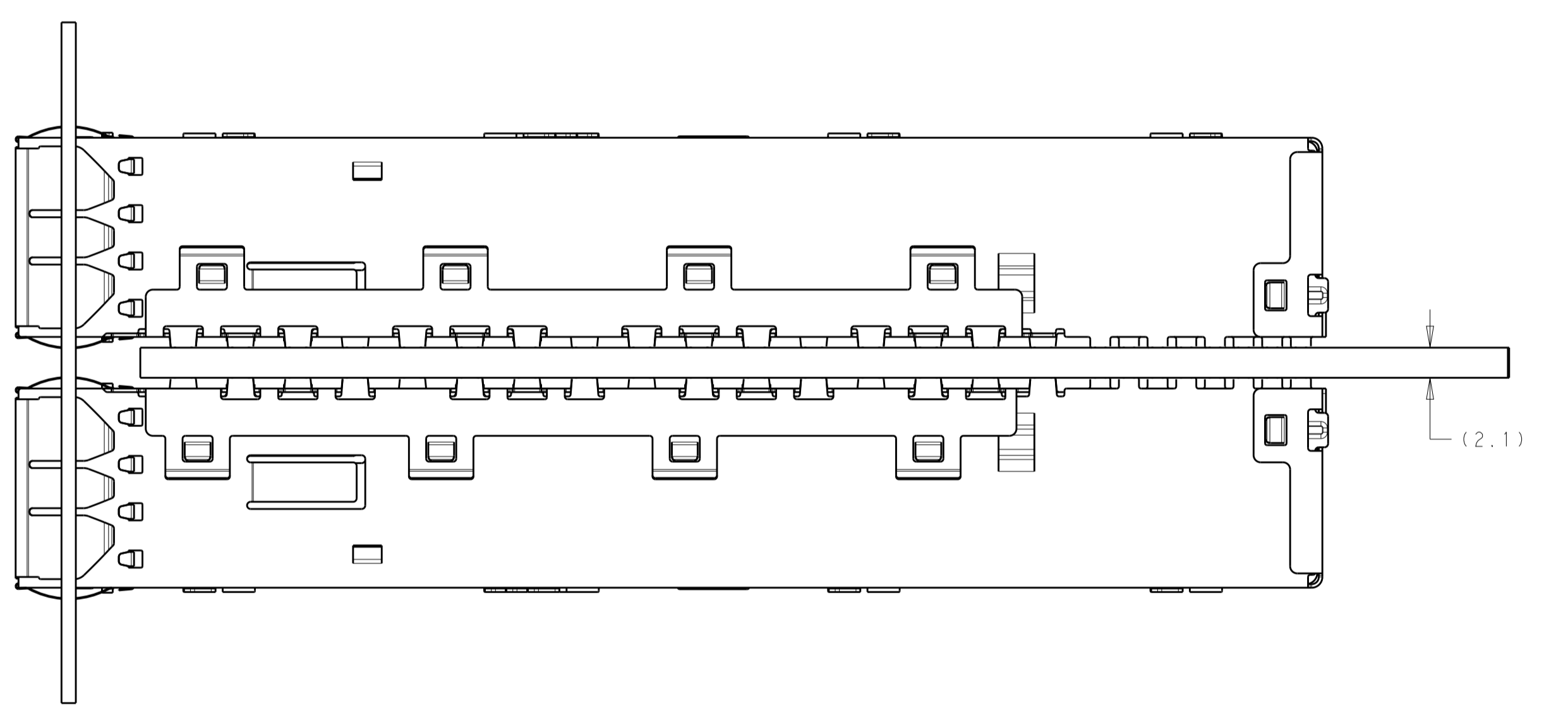
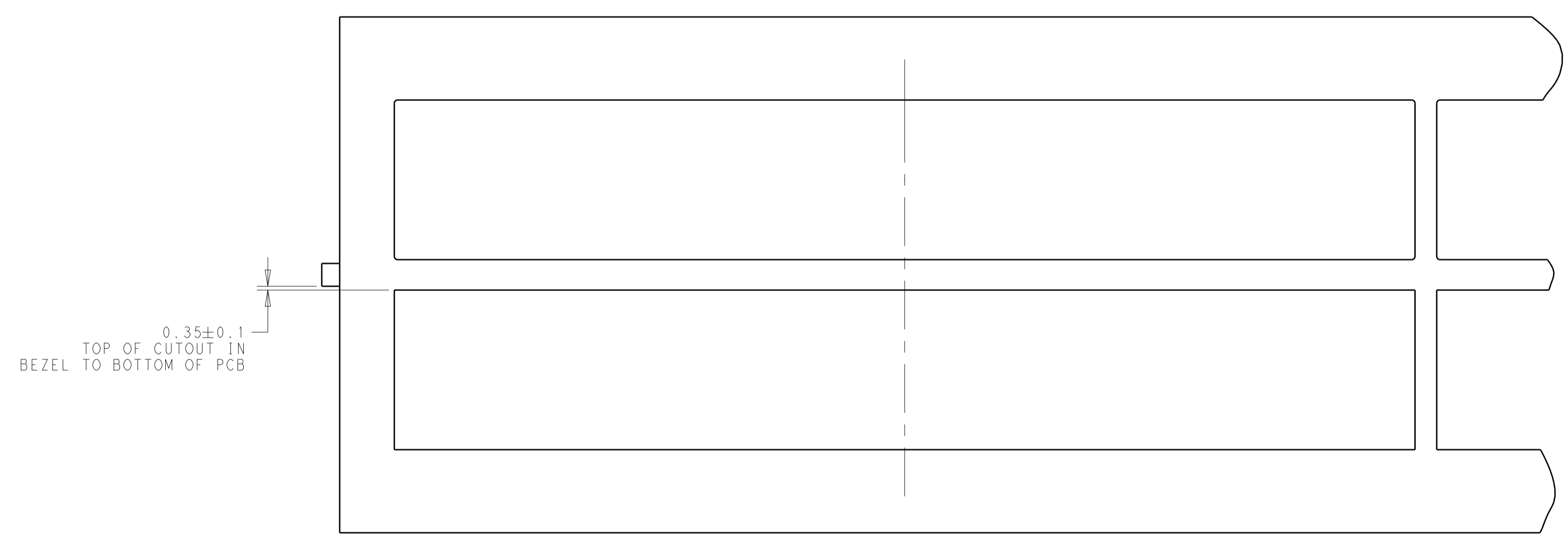


THIS DRAWING IS A CONTROLLED DOCUMENT.		OWN: C. VALENTINE 18JUN2018	TE Connectivity
DIMENSIONS: mm		CHK: D. HARMON 18JUN2018	
TOLERANCES UNLESS OTHERWISE SPECIFIED:		APVD: D. HARMON 18JUN2018	NAME: CAGE ASSEMBLY, 1X4, OSFP
0 PLC ±	1 PLC ±0.25	PRODUCT SPEC	SIZE: A1
2 PLC ±0.15	3 PLC ±0.10	108-60117	CAGE CODE: -
4 PLC ±	ANGLES ±	APPLICATION SPEC	DRAWING NO: C=2338495
MATERIAL:	FINISH:	114-130009	RESTRICTED TO:
		WEIGHT:	SCALE: 3:1
		CUSTOMER DRAWING	SHEET 3 OF 8
			REV: E1

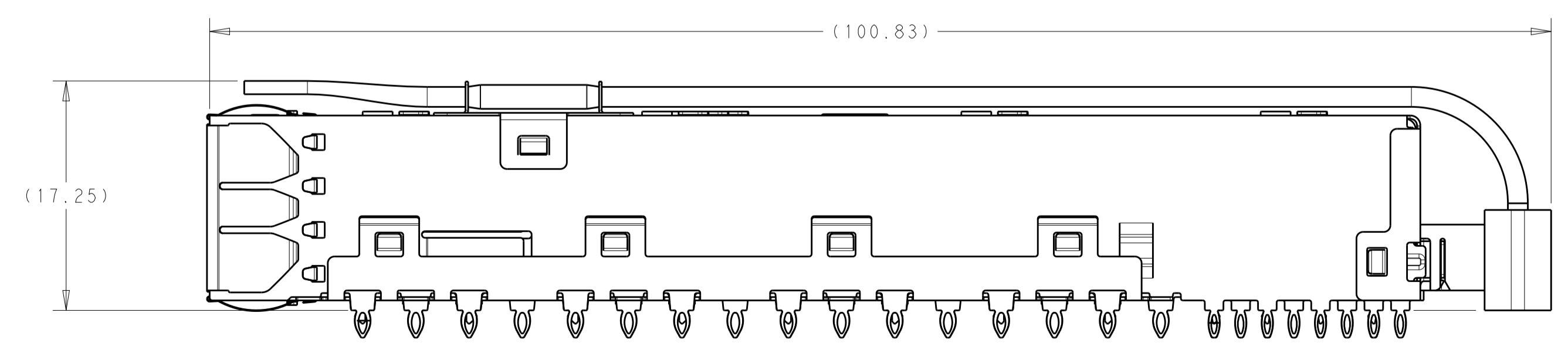
REVISIONS				
P.	LTN	DESCRIPTION	DATE	APVD
-	-	SEE SHEET 1	-	-



SINGLE SIDE MOUNTING

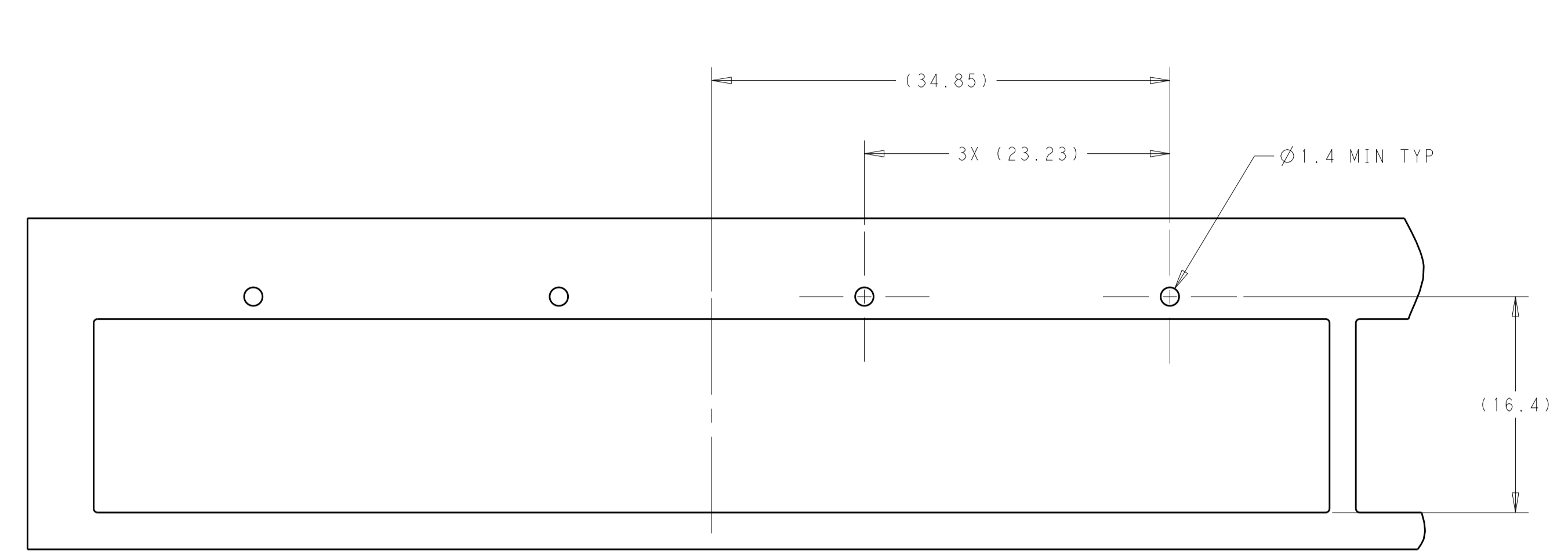


BELLY TO BELLY MOUNTING
 SAME AS SINGLE SIDE
 EXCEPT AS NOTED

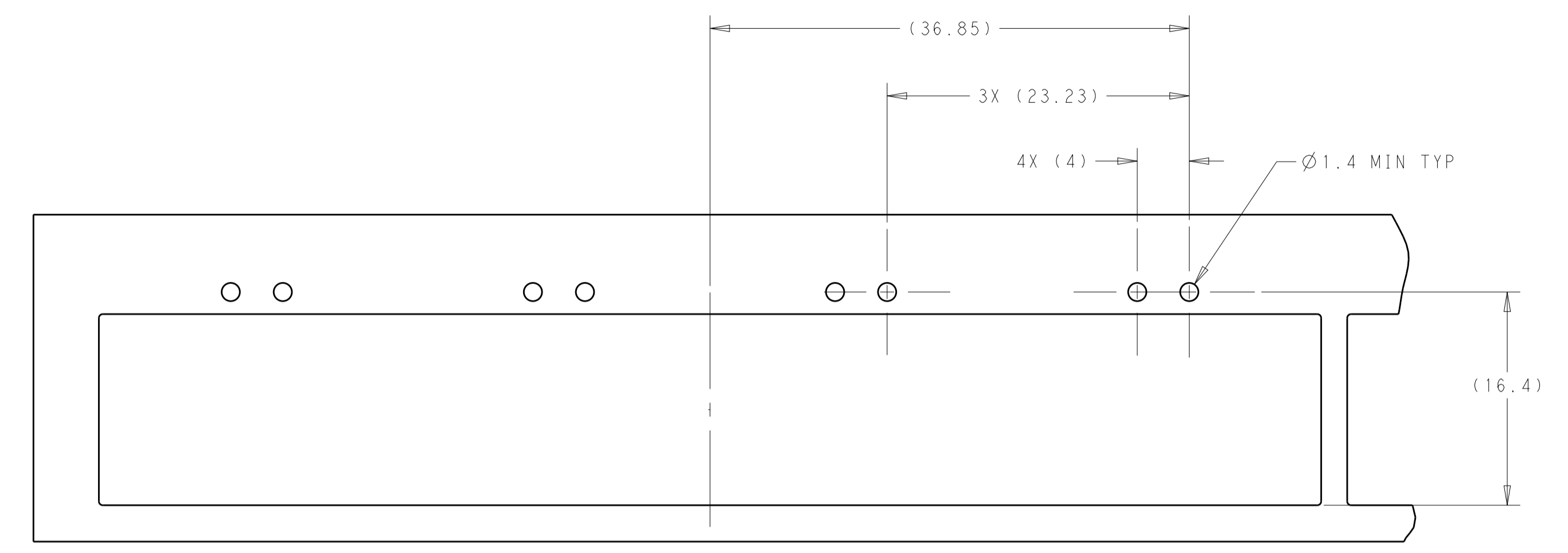


THIS DRAWING IS A CONTROLLED DOCUMENT.		DWN C. VALENTINE 18JUN2018	TE Connectivity
DIMENSIONS:		CHK D. HARMON 18JUN2018	
mm	TOLERANCES UNLESS OTHERWISE SPECIFIED:	APVD D. HARMON 18JUN2018	NAME CAGE ASSEMBLY, 1X4, OSFP
0 PLC ±	1 PLC ±0.25	PRODUCT SPEC	SIZE
2 PLC ±0.15	3 PLC ±0.10	APPLICATION SPEC	CAGE CODE DRAWING NO
4 PLC ±	ANGLES ±	114-130009	RESTRICTED TO
MATERIAL	FINISH	WEIGHT	A1
CUSTOMER DRAWING		SCALE 3:1	SHEET 4 OF 8

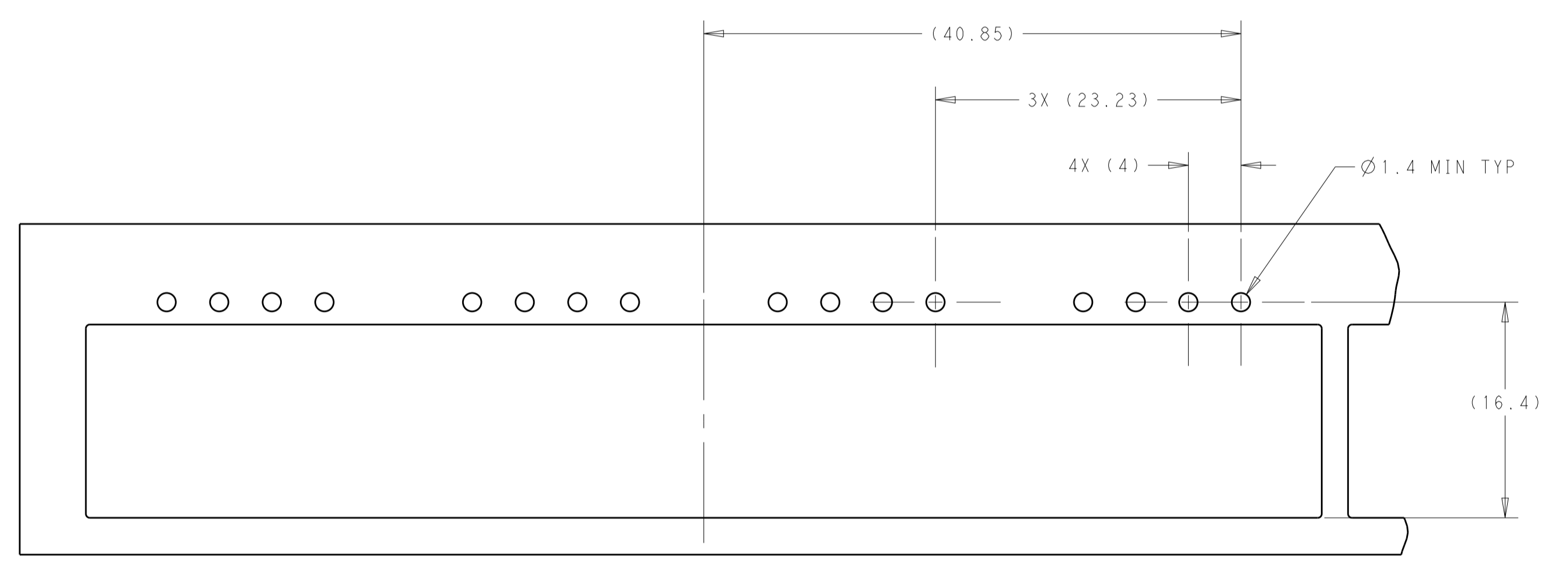
REVISIONS				
P.	LTH	DESCRIPTION	DATE	APVD
-	-	SEE SHEET 1	-	-



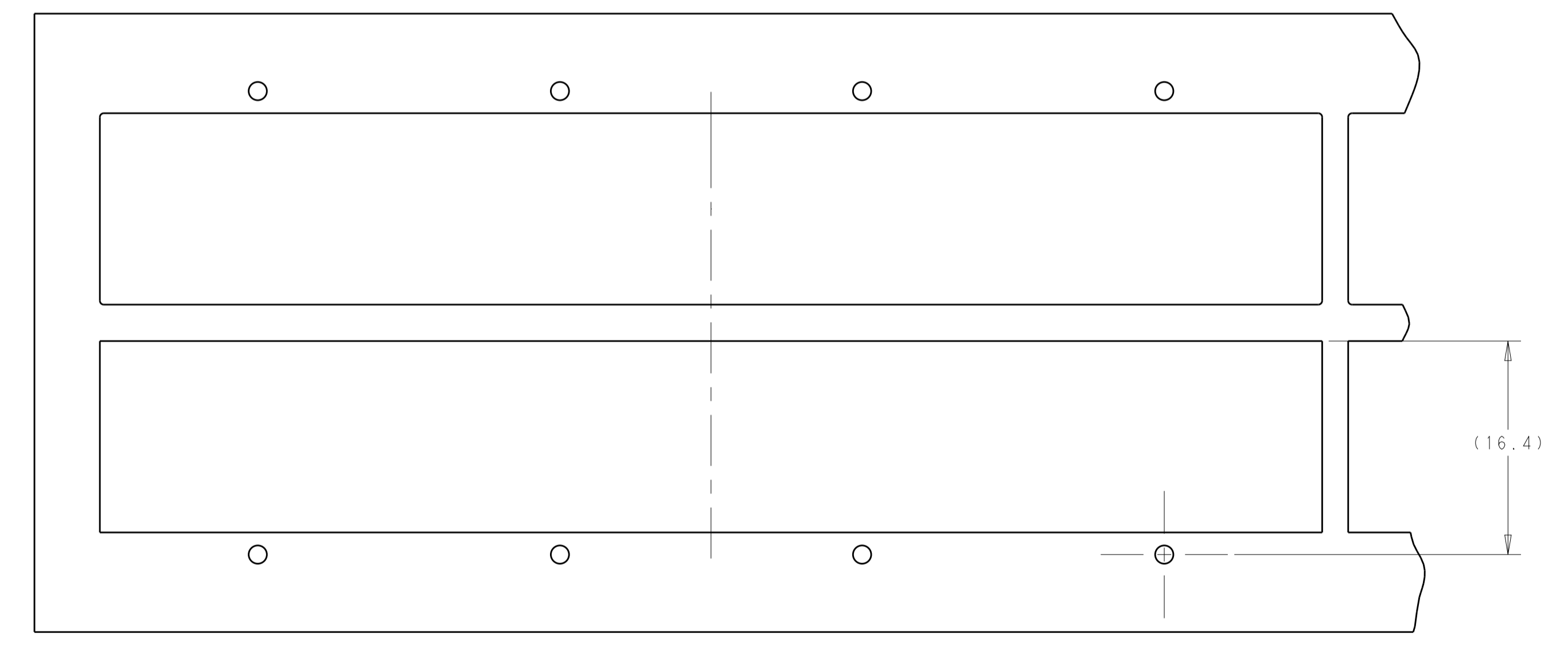
BEZEL LAYOUT FOR SINGLE LIGHT PIPE
SINGLE SIDE



BEZEL LAYOUT FOR DOUBLE LIGHT PIPE
SINGLE SIDE



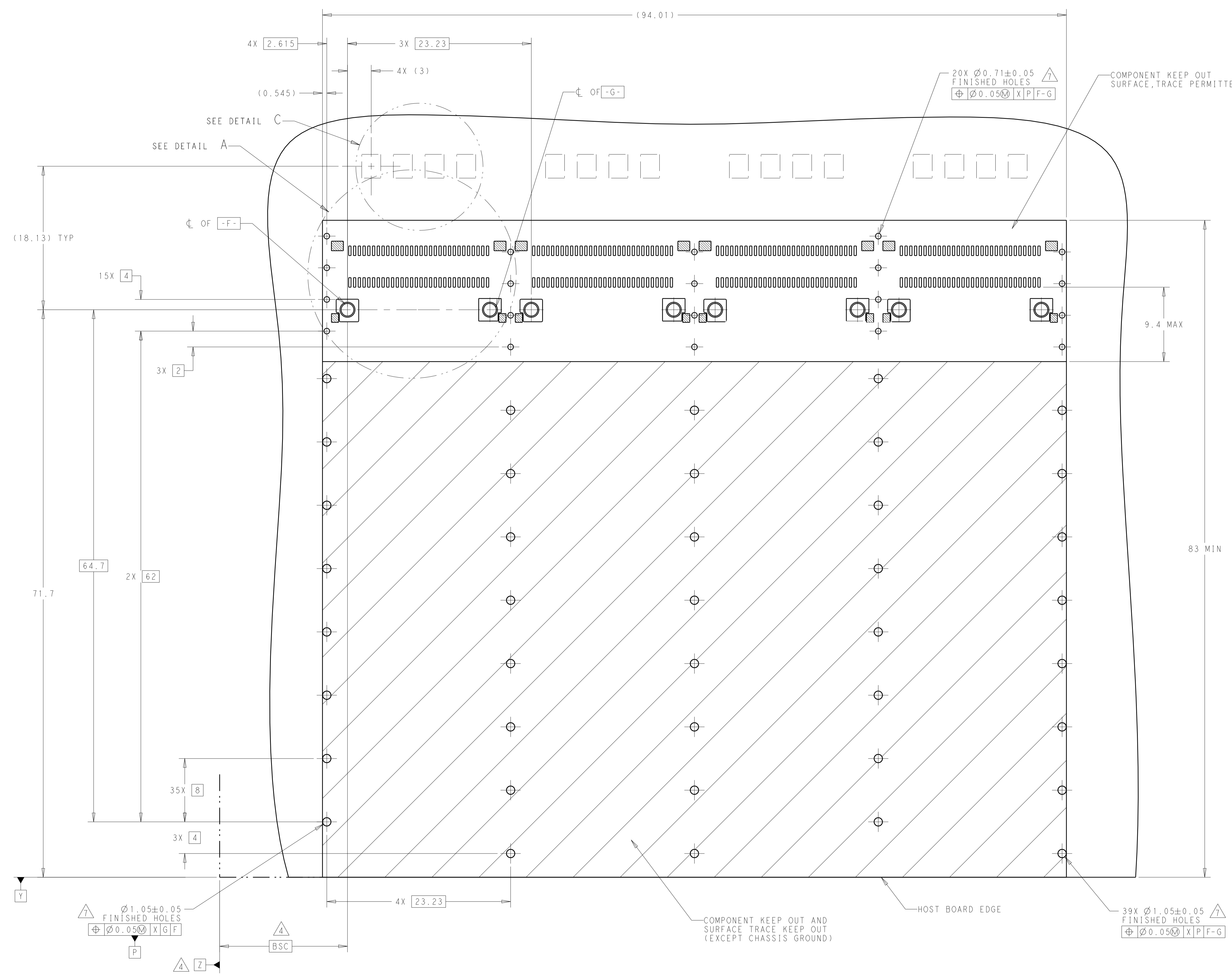
BEZEL LAYOUT FOR QUAD LIGHT PIPE
SINGLE SIDE



BEZEL LAYOUT FOR LIGHT PIPES
BELLY TO BELLY
SIMILAR TO SINGLE SIDE
EXCEPT WHERE NOTED

THIS DRAWING IS A CONTROLLED DOCUMENT.		DWN C. VALENTINE 18JUN2018	TE Connectivity	
DIMENSIONS: mm		CHK D. HARMON 18JUN2018	NAME CAGE ASSEMBLY, 1X4, OSFP	
TOLERANCES UNLESS OTHERWISE SPECIFIED: 0 PLC ±.25 1 PLC ±0.25 2 PLC ±0.15 3 PLC ±0.10 4 PLC ±.1 ANGLES ±.1		APVD D. HARMON 18JUN2018	PRODUCT SPEC 108-60117	
MATERIAL		FINISH	APPLICATION SPEC 114-130009	RESTRICTED TO
WEIGHT		114-130009	SIZE A1	CAGE CODE 2338495
CUSTOMER DRAWING		SCALE 3:1	SHEET 5	OF 8

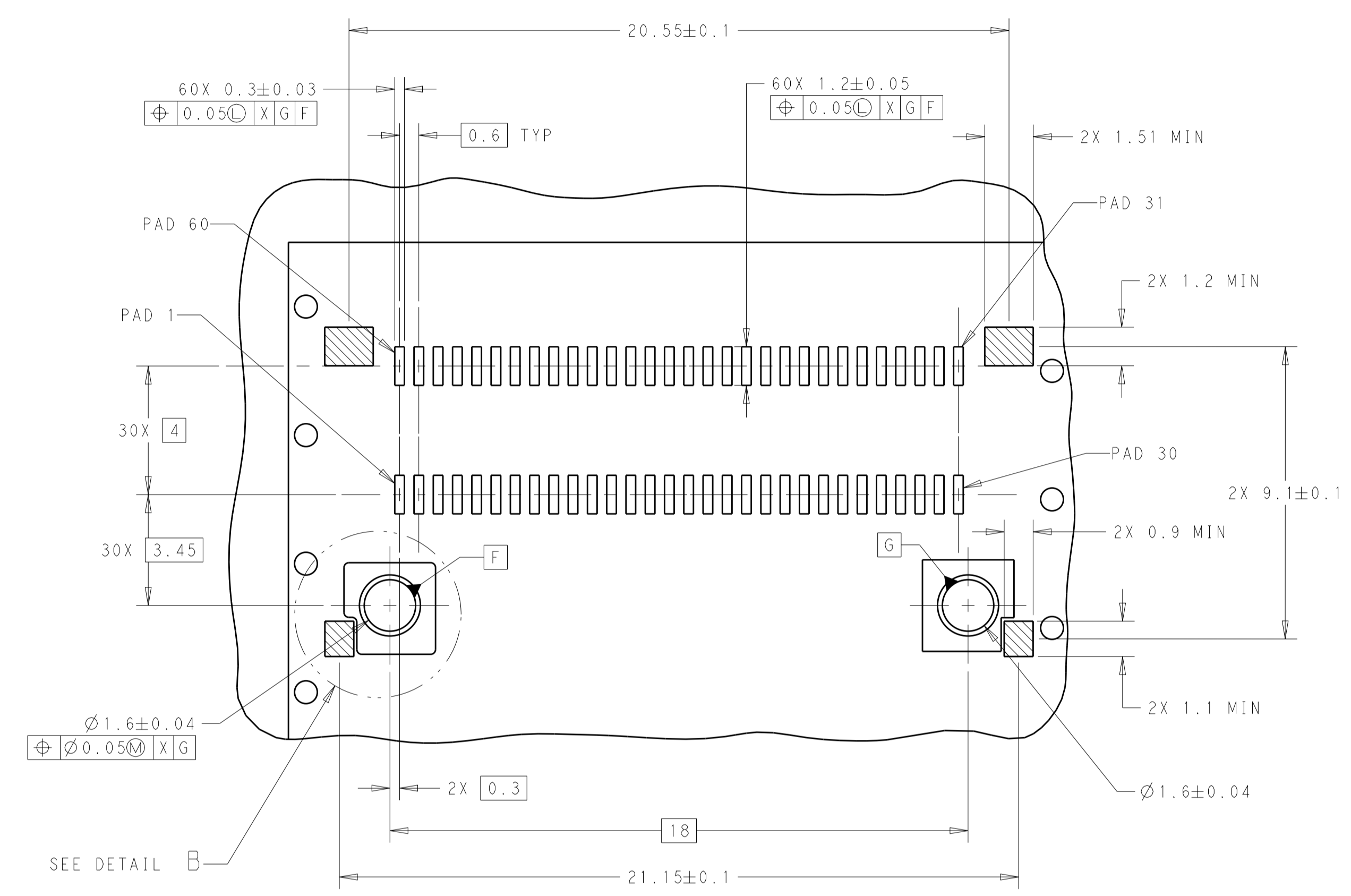
REVISIONS				
P.	LTN	DESCRIPTION	DATE	APVD
-	-	SEE SHEET 1	-	-



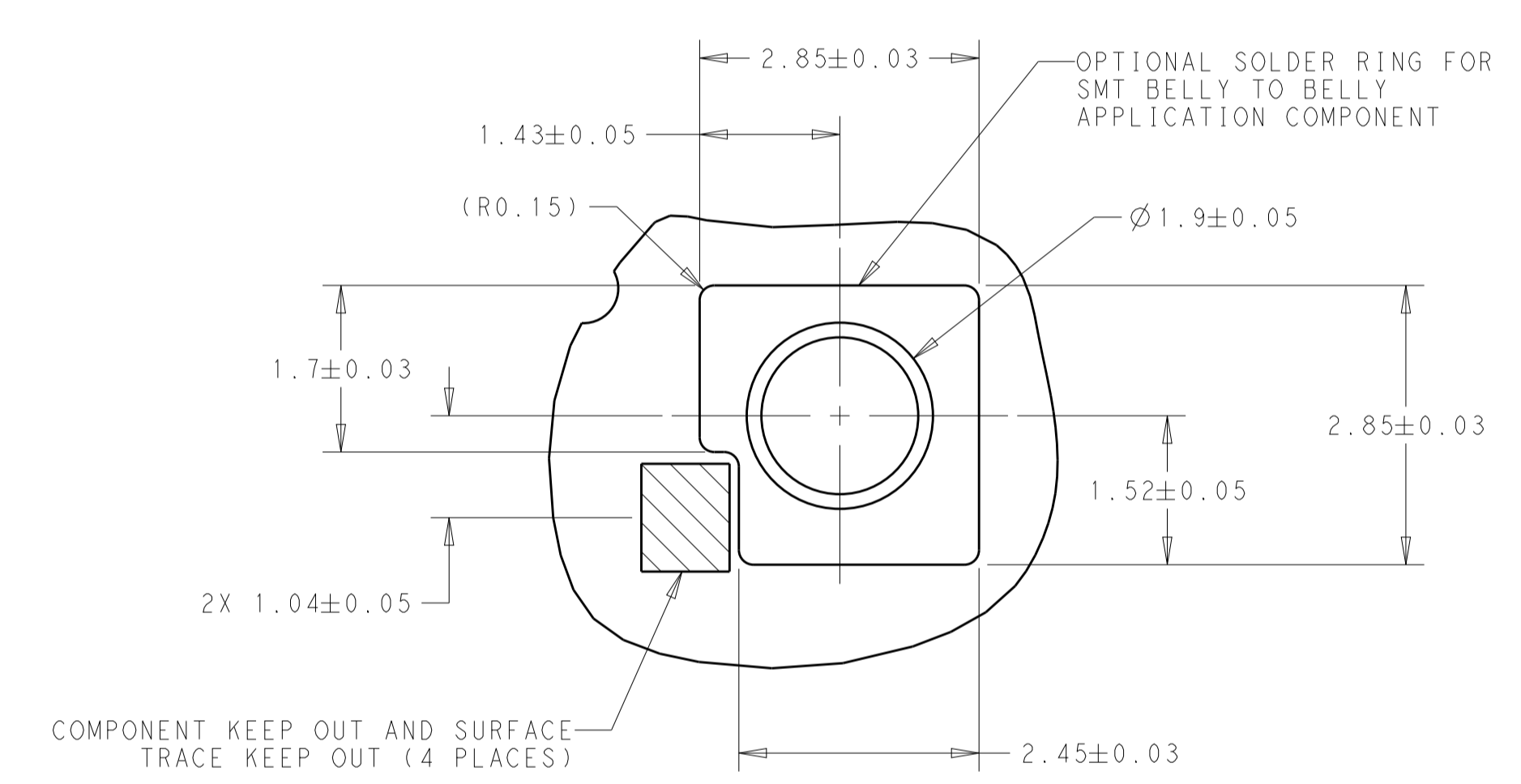
RECOMMENDED PCB LAYOUT
 SINGLE SIDED APPLICATION
 SCALE 4:1

THIS DRAWING IS A CONTROLLED DOCUMENT.		DWN C. VALENTINE 18JUN2018	18JUN2018	
DIMENSIONS:		CHK D. HARMON 18JUN2018	18JUN2018	
mm	TOLERANCES UNLESS OTHERWISE SPECIFIED:	APVD D. HARMON 18JUN2018	NAME CAGE ASSEMBLY, 1X4, OSFP	
	0 PLC ±.25	PRODUCT SPEC	SIZE A1	
	2 PLC ±0.25	108-60117	CAGE CODE C=2338495	
	3 PLC ±0.15	APPLICATION SPEC	RESTRICTED TO	
	4 PLC ±0.10	114-130009	SCALE 3:1 SHEET 6 OF 8 REV E1	
	ANGLES ±.°	WEIGHT		
MATERIAL	FINISH	CUSTOMER DRAWING		

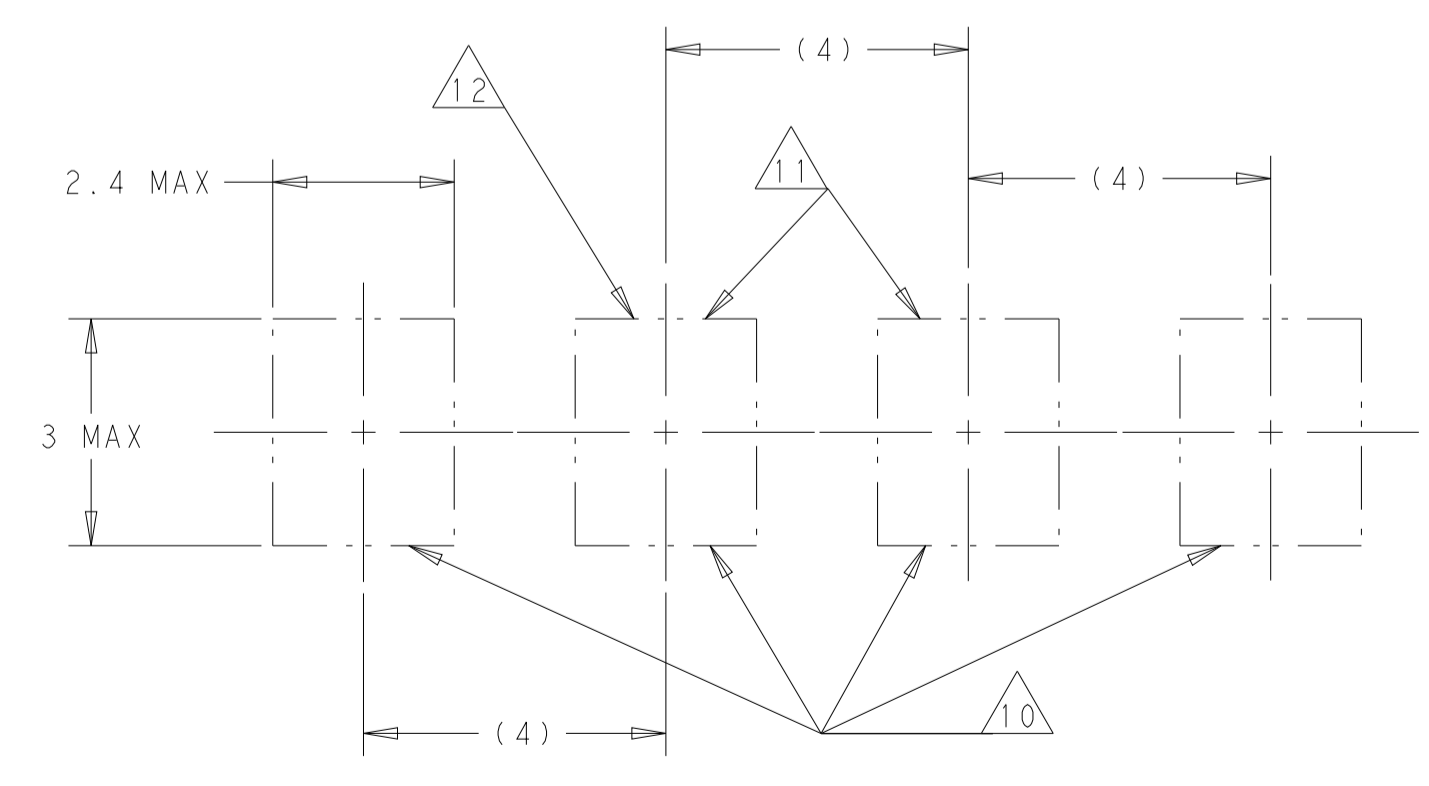
REVISIONS				
P	LTN	DESCRIPTION	DATE	APPV
-	-	SEE SHEET 1	-	-



4X INDIVIDUALLY
 DETAIL A
 SCALE 8:1



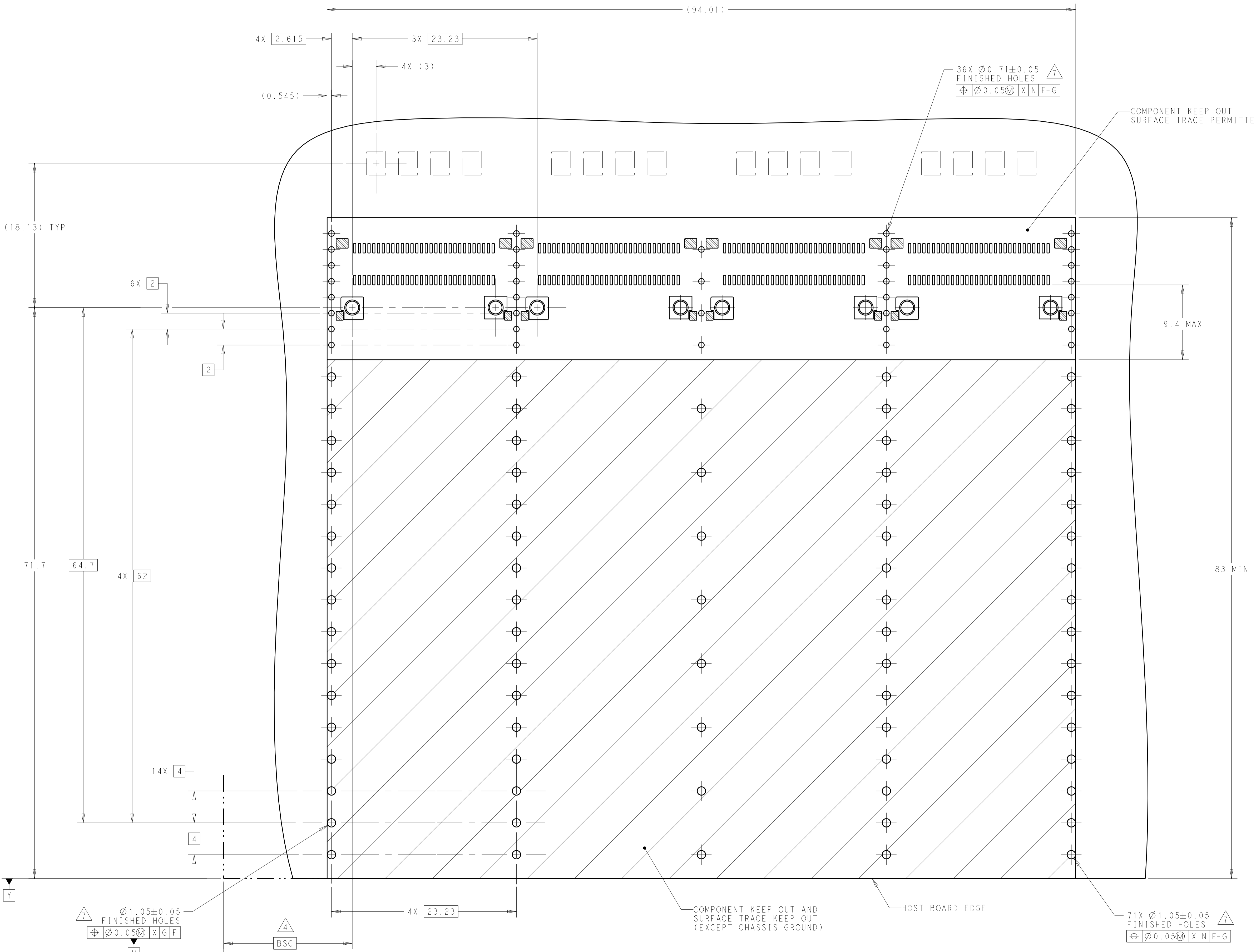
DETAIL B
 SCALE 16:1



DETAIL C
 SCALE 10:1

THIS DRAWING IS A CONTROLLED DOCUMENT.		DWN C. VALENTINE 18JUN2018 CHK D. HARMON 18JUN2018 APPV D. HARMON 18JUN2018	STE TE Connectivity	
DIMENSIONS: mm TOLERANCES UNLESS OTHERWISE SPECIFIED: 0 PLC ± 1 PLC ±0.25 2 PLC ±0.15 3 PLC ±0.10 4 PLC ± ANGLES ± FINISH		PRODUCT SPEC 108-60117 APPLICATION SPEC 114-130009 WEIGHT -	NAME CAGE ASSEMBLY, 1X4, OSFP SIZE A1 CAGE CODE - DRAWING NO. C=2338495	RESTRICTED TO - SCALE 3:1 SHEET 7 OF 8 REV E1
MATERIAL		CUSTOMER DRAWING		

REVISIONS				
P.	LTN	DESCRIPTION	DATE	APVD
-	-	SEE SHEET 1	-	-



RECOMMENDED PCB LAYOUT
BELLY TO BELLY APPLICATION
SCALE 4:1

THIS DRAWING IS A CONTROLLED DOCUMENT.		DWN C. VALENTINE 18JUN2018	 TE Connectivity
DIMENSIONS:		CHK D. HARMON 18JUN2018	
mm	0 PLC ±0.25 2 PLC ±0.15 3 PLC ±0.10 4 PLC ±0.05	APVD D. HARMON 18JUN2018	NAME CAGE ASSEMBLY, 1X4, OSFP
TOLERANCES UNLESS OTHERWISE SPECIFIED:		PRODUCT SPEC	SIZE A1
MATERIAL		APPLICATION SPEC	CAGE CODE -
FINISH		114-130009	DRAWING NO C=2338495
CUSTOMER DRAWING		WEIGHT	RESTRICTED TO
SCALE 3:1		SHEET 8 OF 8	REV E1

单击下面可查看定价，库存，交付和生命周期等信息

[>>TE Connectivity\(泰科\)](#)