

THIS DRAWING IS UNPUBLISHED.

RELEASED FOR PUBLICATION

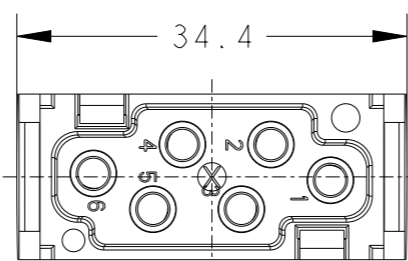
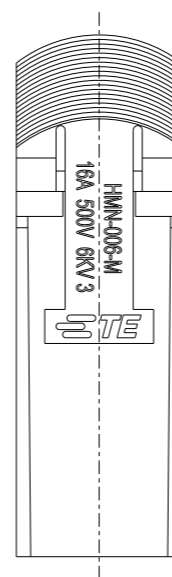
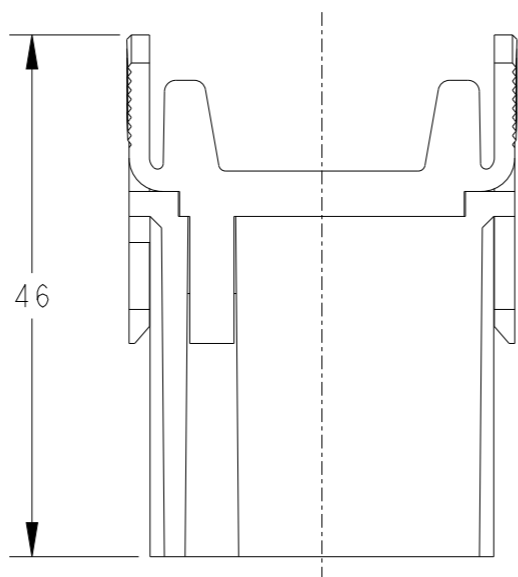
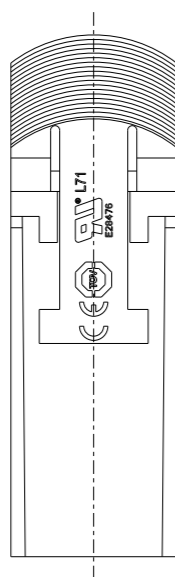
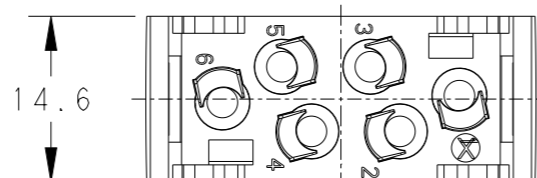
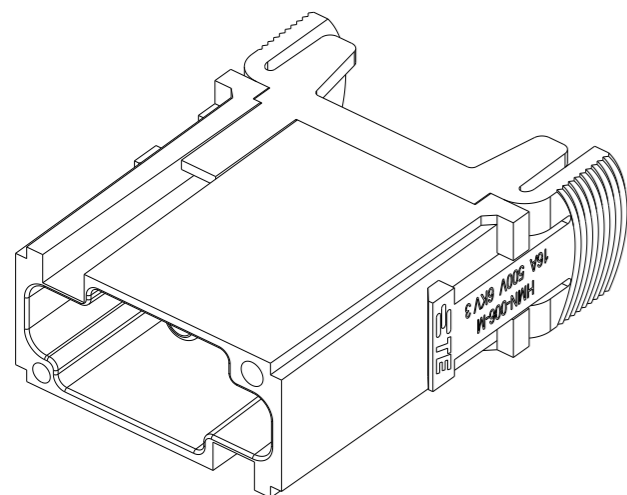
20

© COPYRIGHT 20 BY -

ALL RIGHTS RESERVED.

REVISIONS

P	LTR	DESCRIPTION	DATE	DWN	APVD
	A	INITIAL	15APR2015	DW	CW
	B	ECR-15-018270	09DEC2015	DW	CW
	B1	ECR-16-018198	28DEC2016	QY	CW
	C	ECR-21-111798	27SEP2021	WQR	CW



NOTES:

- TECHNICAL CHARACTERISTICS:
 INSULATION MATERIAL: PC
 RATED VOLTAGE: 500V
 RATED CURRENT: 16A
 INSULATION RESISTANCE: $\geq 400M\Omega$
 RATED IMPULSE VOLTAGE: 6KV
 POLLUTION DEGREE: 3
 CONTACT RESISTANCE: $\leq 5m\Omega$
 FLAMMABILITY: UL94V-0
 MATING CYCLES: 500 CYCLES
 WIRE RANGE: 0.14~4 mm² (26~12 AWG)
 CONTACT TYPE: CRIMP CONTACT
- CONTACT NEED TO BE ORDERED SEPARATELY.
 (ORDER No. REFER TO DRAWING: T20300X10XX000)

注释:

- 技术参数:
 绝缘材料: PC
 额定电压: 500V
 额定电流: 16A
 绝缘电阻: $\geq 400M\Omega$
 额定脉冲电压: 6KV
 污染等级: 3
 接触电阻: $\leq 5m\Omega$
 阻燃等级: UL94V-0
 插拔次数: 500次
 接线范围: 0.14~4 mm² (26~12 AWG)
 接线类型: 冷压接
- 端子需要单独订购。
 (订货号参考图面: T20300X10XX000)

TYPE-1:T2111062101-000 TE LOGO
 类型-1:T2111062101-000 TE LOGO

THIS DRAWING IS A CONTROLLED DOCUMENT.

DIMENSIONS:	TOLERANCES UNLESS OTHERWISE SPECIFIED:
mm	
	0 PLC ±-
	1 PLC ±-
	2 PLC ±-
	3 PLC ±-
	4 PLC ±-
	ANGLES ±-
MATERIAL	FINISH
-	-
-	-

DWN	15APR2015
David Wang	
CHK	15APR2015
Chris Wang	
APVD	15APR2015
Xiang Xu	
PRODUCT SPEC	108-137120
APPLICATION SPEC	114-137120
WEIGHT	-
Customer Drawing	

TE Connectivity		NAME		RESTRICTED TO
		HMN-006-M		
SIZE	CAGE CODE	DRAWING NO		
A3	00779	©-T2111062101000		
SCALE		SHEET	OF	REV
3:2		1	2	C

4

3

2

1

THIS DRAWING IS UNPUBLISHED.

RELEASED FOR PUBLICATION

20

© COPYRIGHT 20

BY -

ALL RIGHTS RESERVED.

REVISIONS

P	LTR	DESCRIPTION	DATE	DWN	APVD
	-	SEE SHEET 1	-	-	-


NOTES:

SEE SHEET 1

注释:
见页 1TYPE-2:T2111062101-001 NO LOGO
类型-2:T2111062101-001 无LOGO

ALL DIMENSIONS ARE SAME AS TYPE 1,
EXCEPT THOSE DEFINED IN THIS TYPE.
除了在本类型中定义的尺寸外, 其它尺寸同类型 1

T2111062101-001	HMN-006-M	HMN-006 MALE MODULE INSERT, NO LOGO HMN-006 模块公插, 无LOGO	TYPE-2 类型-2
T2111062101-000	HMN-006-M	HMN-006 MALE MODULE INSERT HMN-006 模块公插	TYPE-1 类型-1
PART NUMBER 料号	PART DESCRIPTION 描述		TYPE 类型

THIS DRAWING IS A CONTROLLED DOCUMENT.		DWN David Wang 15APR2015	 TE Connectivity						
DIMENSIONS: mm		CHK Chris Wang 15APR2015			NAME HMN-006-M				
TOLERANCES UNLESS OTHERWISE SPECIFIED:		APVD Xiang Xu 15APR2015							
0 PLC ±- 1 PLC ±- 2 PLC ±- 3 PLC ±- 4 PLC ±- ANGLES ±-		PRODUCT SPEC 108-137120	SIZE	CAGE CODE	DRAWING NO	RESTRICTED TO			
MATERIAL		FINISH	114-137120	A3	00779	©-T2111062101000	-		
-		-	WEIGHT	Customer Drawing		SCALE	SHEET	OF	REV
-		-	-	-		3:2	2	2	C

1470-19 (3/13)

Downloaded From Onevac.com

单击下面可查看定价，库存，交付和生命周期等信息

[>>TE Connectivity\(泰科\)](#)