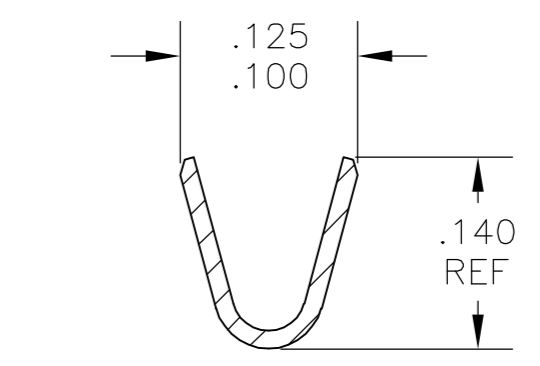
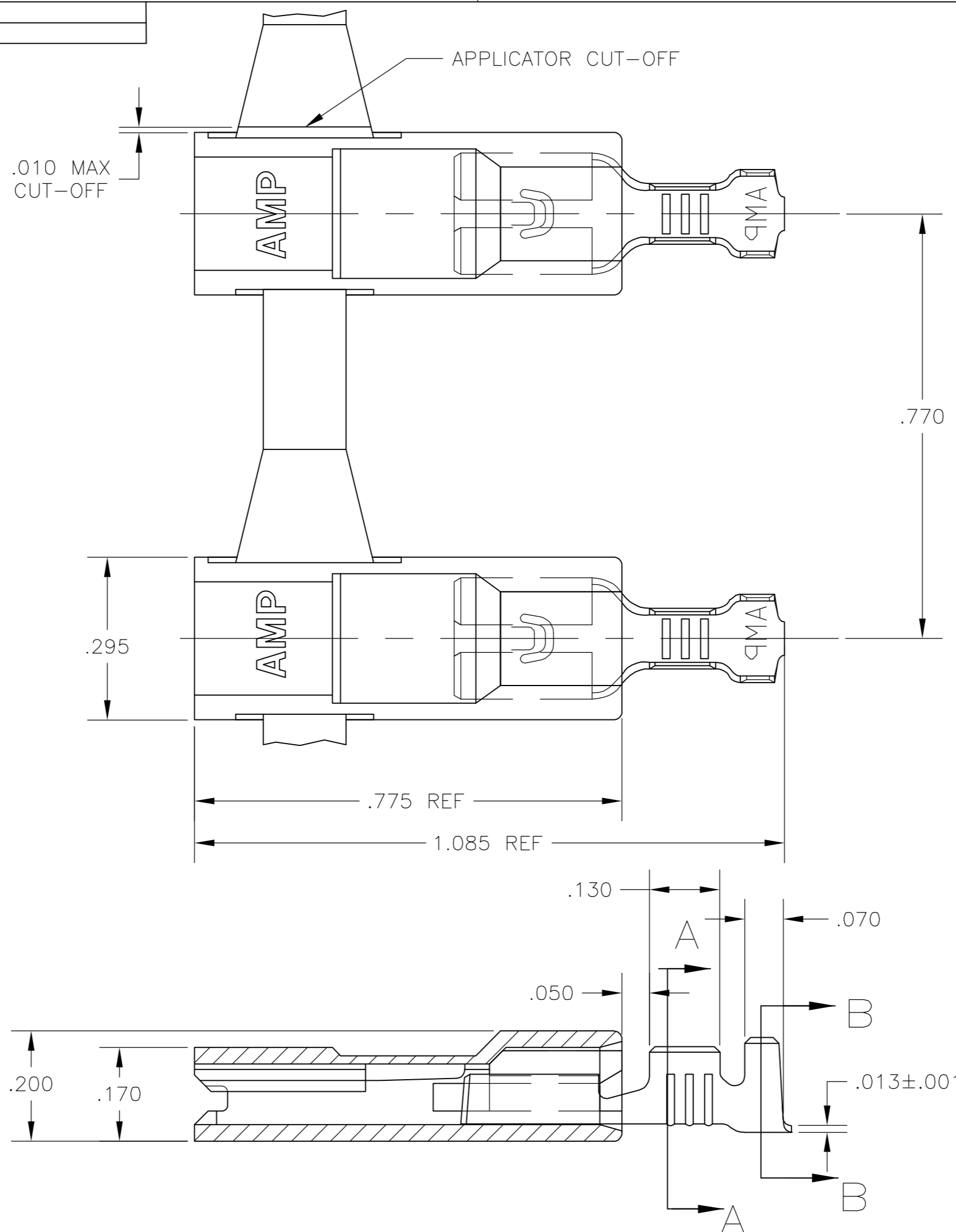
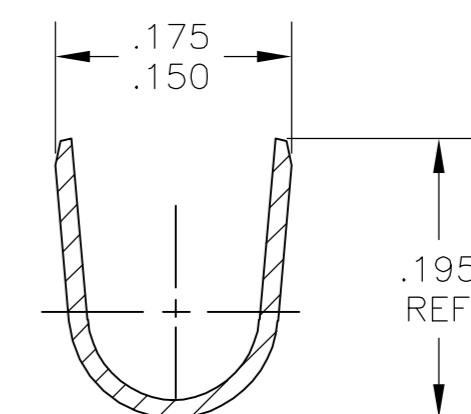


THIS DRAWING IS UNPUBLISHED. RELEASED FOR PUBLICATION
 © COPYRIGHT BY TYCO ELECTRONICS CORPORATION. ALL RIGHTS RESERVED.

LOC	DIST	REVISIONS			
P	LTR	DESCRIPTION	DATE	DWN	APVD
AF	50	A1	REL PER ECR 06-002205	07FEB06	JR GP



SECTION A-A
SCALE 8:1



SECTION B-B
SCALE 8:1

- 1 FASTON TERMINALS, BASE P/N 63653, ARE USED IN THIS PRODUCT.
- 2 MATERIAL: HOUSING - 6/6 NYLON, V2
TERMINAL - H04 BRASS
- 3 FINISH: HOUSING - COLOR, NATURAL
TERMINAL - PRE-TIN PLATE

.090-.130 DIA	20-16 AWG	.020±.001	521838-2
INSULATION RANGE	WIRE SIZE	MATING TAB	PART NO.
THIS DRAWING IS A CONTROLLED DOCUMENT.		DWN JR RUTH 09SEP05	Tyco Electronics Corporation Harrisburg, PA 17105-3608
DIMENSIONS: INCHES		CHK G PORTA 09SEP05	
TOLERANCES UNLESS OTHERWISE SPECIFIED:		APVD G PORTA 09SEP05	NAME
0 PLC ± -	1 PLC ± -	PRODUCT SPEC	ASSEMBLY, RECEPTACLE, ULTRA-POD, .187 SERIES
2 PLC ± -	3 PLC ± .010	APPLICATION SPEC	SIZE CAGE CODE DRAWING NO
4 PLC ± -	ANGLES ± -	FINISH	A2 00779 C=521838
MATERIAL	FINISH	WEIGHT	RESTRICTED TO
-	2	-	-
CUSTOMER DRAWING			SCALE 5:1 SHEET 1 of 1 REV A1

单击下面可查看定价，库存，交付和生命周期等信息

[>>TE Connectivity\(泰科\)](#)