

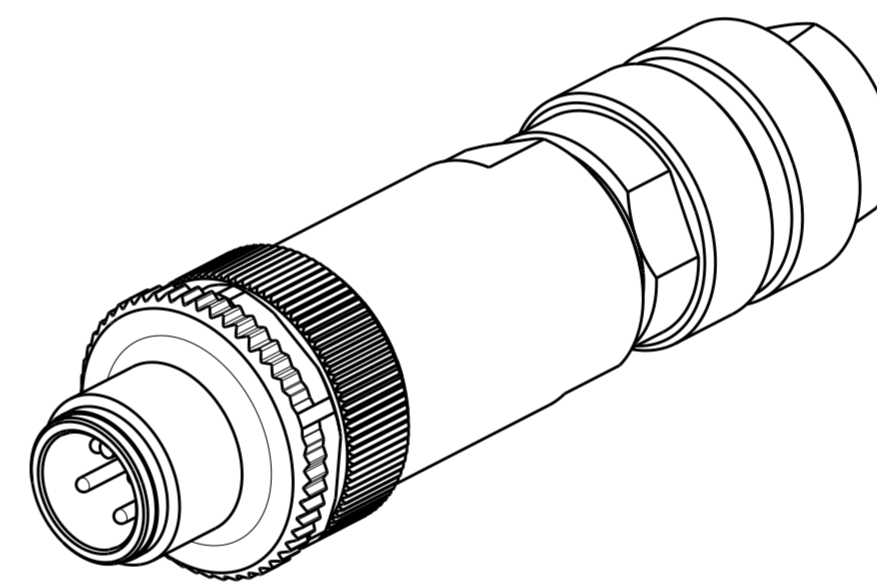
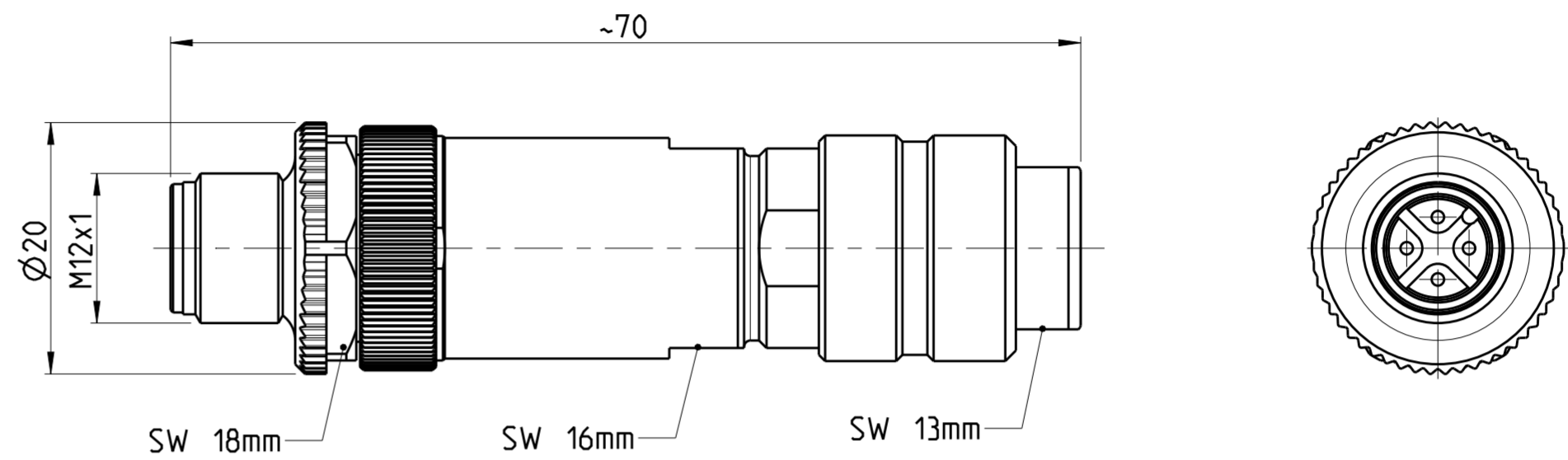
REVISIONS				
P	LTR	DESCRIPTION	DATE	APVD
A2		DESCRIPTION CORRECTED FROM SOLDER TO SCREW TERMINAL IN TITLE BLOCK	13NOV2014	CR JK
A3		1-2271111-1, 1-2271111-2, 2-2271111-1, 2-2271111-2, 3-2271111-1, 8 4-2271111-1 DISCONTINUED	23SEP2017	TJ NG

1 MATERIAL: ITEM NO. 1: HOUSING - ZINC DIE CASTING, NICKEL PLATED
 ITEM NO. 2: CONTACT BODY - PA
 ITEM NO. 3: CONTACT - CuZn
 CONTACT FINISH - Au

2 ALL DIMENSIONS ARE FOR NOMINAL REFERENCE ONLY UNLESS OTHERWISE STATED

3 MEASUREMENT REFERENCE ONLY

4 PACKAGING: 1 PIECE IN A BAG



TECHNICAL DATA	3-2271111-2	4-2271111-2	5-2271111-2	6-2271111-2
RATED VOLTAGE	250V	125V	60V	30V
RATED IMPULSE VOLTAGE	2500V	1500V	800V	500V
POLLUTION DEGREE	3	3	3	3
OVERVOLTAGE CATEGORY	II	II	II	II
MATERIAL GROUP	II	II	II	II
RATED CURRENT	4A	4A	2A	2A
VOLUME RESISTIVITY	≤ 3mΩ	≤ 3mΩ	≤ 3mΩ	≤ 3mΩ
DEGREE OF PROTECTION	IP67	IP67	IP67	IP67
UPPER TEMPERATURE	+85 °C	+85 °C	+85 °C	+85 °C
LOWER TEMPERATURE	-40 °C	-40 °C	-40 °C	-40 °C

3-2 AS SHOWN
WIE GEZEICHNET

PIN ARRANGEMENT
A-CODING

3-2271111-2	4-2271111-2	5-2271111-2	6-2271111-2

CABLE FEED-THROUGH mm	WIRES AWG / mm ²	MATERIAL	NUMBER OF POLES	TE-PART-NO.
6-8	24 / 0.25mm ²	△	12	6-2271111-2
5-8	20 / 0.50mm ²	△	8	5-2271111-2
5-8	18 / 0.75mm ²	△	5	4-2271111-2
5-8	18 / 0.75mm ²	△	4	3-2271111-2

DIESE ZEICHNUNG IST EIN KONTROLLIERTES DOKUMENT.
BEMASSUNGEN UND TOLERANZEN GEMAESS GPS (ISO STANDARDS).

THIS DRAWING IS A CONTROLLED DOCUMENT.
DIMENSIONING AND TOLERANCING PER GPS (ISO STANDARDS).

DIMENSIONS: MASSE/WEITEN: [mm]	TOLERANCES UNLESS OTHERWISE SPECIFIED: ALLGEMEINTOLERANZEN	DWN YASHKUMAR 04 JUN 2014
	0 PLC ± 1 PLC ± 2 PLC ± 3 PLC ± 4 PLC ±	CHK M.STRELOW 04 JUN 2014
MATERIAL	ANGLES/WINKEL ± FINISH/OBERFLÄCHE/FARBE	APVD C.SCHREITLINGER 04 JUN 2014
-	-	NAME
-	-	PRODUCT SPEC
-	-	APPLICATION SPEC
-	-	VERARBEITUNGSSPEZ.
-	-	WEIGHT
-	-	GEWICHT
-	-	Customer Drawing

		TE Connectivity	
M12 MALE STRAIGHT, FIELD INSTALLABLE, SHIELDED CONNECTOR, SCREW TERMINALS, A-CODING			
SIZE	CAGE CODE	DRAWING NO	RESTRICTED TO
A2	00779	C-2271111	MUR FÜR
/KUNDENZEICHNUNG		SCALE	SHEET
		MASSSTAB	BLATT
		2:1	1 OF
			VON 1
			REV
			A3

SIZE ISO 14405 (E)

单击下面可查看定价，库存，交付和生命周期等信息

[>>TE Connectivity\(泰科\)](#)