

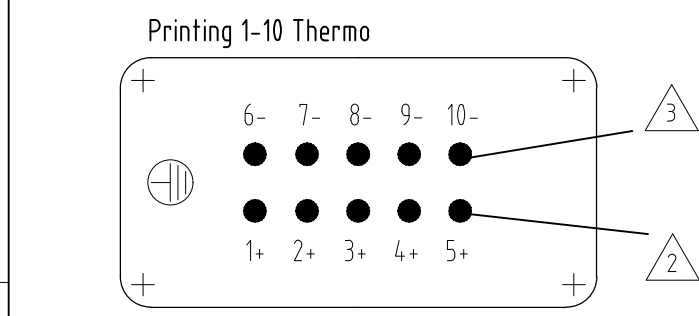
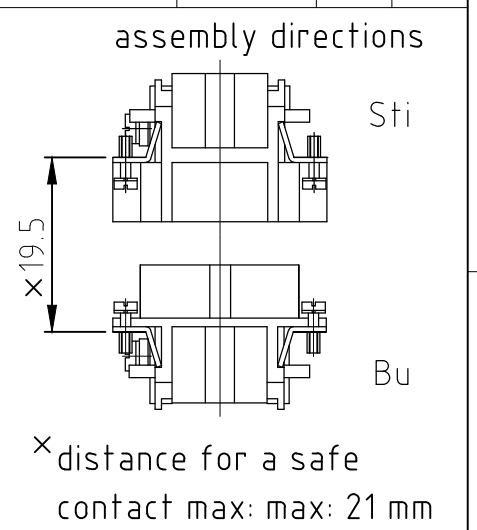
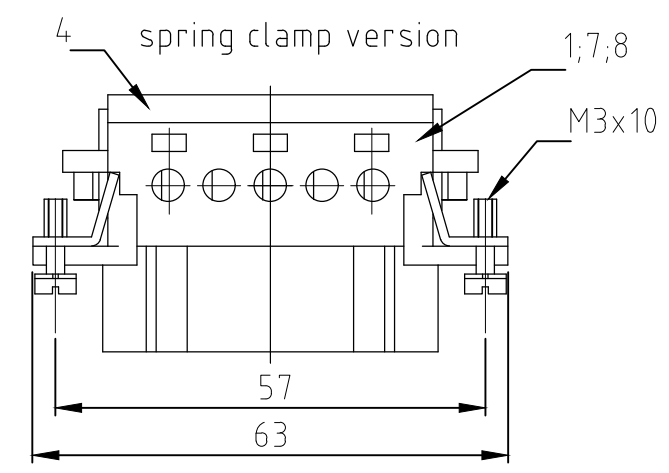
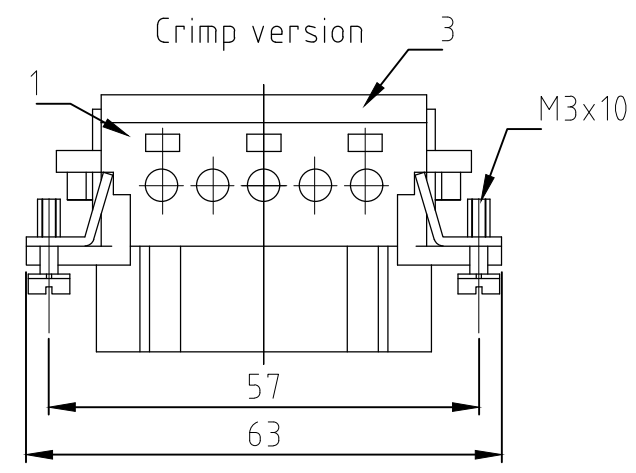
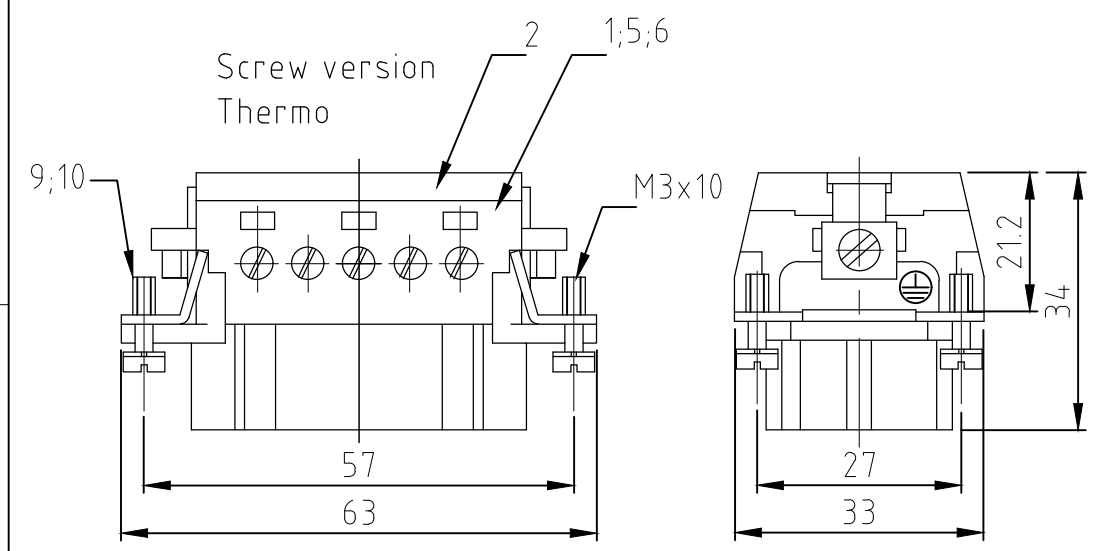
THIS DRAWING IS UNPUBLISHED.
VERTRAULICHE UNVERÖFFENTLICHTE ZEICHNUNG

RELEASED FOR PUBLICATION
FREI FUER VERÖFFENTLICHUNG

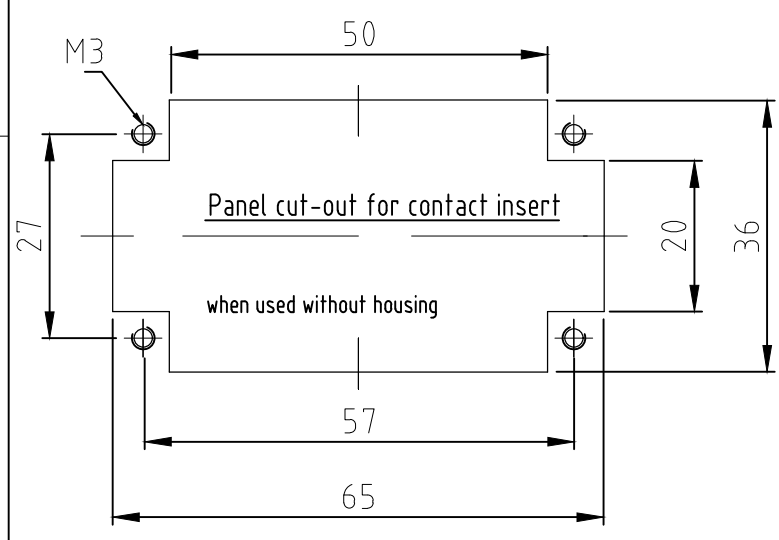
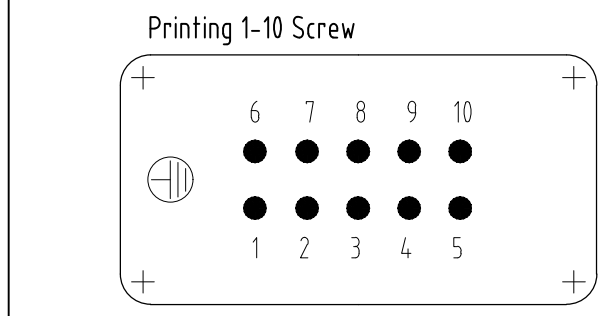
ALL RIGHTS RESERVED.
ALLE RECHTE VORBEHALTEN

MATED WITH
PASSEND ZU:
HE.10

P	LTR	DESCRIPTION BESCHREIBUNG	DATE	DWN	APVD
A10	ECR-17-009069		12FEB2018	SG	MKO
A11	REVISED PER ECR-17-014412		03APR18	NG	MKO



Contact arrangement
view from termination side



OBSOLETE	OBSOLETE	OBSOLETE	SUPERSEDED BY T204,0103201-000	SUPERSEDED BY T204,0104,201-000	OBSOLETE
		4			
4	4	4	4	4	4
10					
			10		
	10	10			10
1			1		
				1	
	1	1	1	1	1
1	1	1	1	1	1
0-3	0-2	0-1	9-5	7-1	2-3
1-7	1-1				

DESCRIPTION	MATERIAL	SURFACE	COLOR	ITEM NO. POS.	REMARKS
fixing screw	stainless steel	even		10	M3x10
fixing screw	steel	nickel plated	blue	9	M3x10
contact socket spring clamp	brass	gold plated		8	
contact socket spring clamp	brass	silver plated		7	
contact socket screw version	brass	gold plated		6	
contact socket screw version	brass	silver plated		5	
cover spring clamp version			light grey	4	
cover crimp version			light grey	3	
cover screw version			light grey	2	
socket insert			light grey	1	

- NOTES:
- 1 SUITABLE CRIMP CONTACTS: SERIES HE/HA
OUTER DIMENSIONS OF INSULATION: MAX. Ø3,2 MM
 - SUITABLE HOOD SIZE 4: SERIES HB, HD, HP, EMV
SUITABLE INSERTION AND EXTRACTION TOOL:
SCREWDRIVER 0,5x3 DIN 5264
 - Strip length: Screw conection 10mm
Spring clamp conection 10mm Crimp conection 7.5mm
 - STANDARDS:
DIN EN 61984; DIN EN 60664-1
 - PACKAGING:
5 SETS IN A CARTON, PRE-MOUNTED
 - SPECIAL PACKAGING: Krauss-Maffei
PACKAGING UNIT: 250 PIECES

THIS DRAWING IS A CONTROLLED DOCUMENT.
DIESE ZEICHNUNG IST EIN KONTROLLIERTES DOKUMENT.

DIMENSIONS: MASSE/NEHMEN: mm

TOLERANCES UNLESS OTHERWISE SPECIFIED: ALLGEMEINTOLERANZEN

0 PLC ± 0.150 0.015
1 PLC ± 0.2 0.020
2 PLC ± 0.3 0.030
3 PLC ± 0.4 0.040
4 PLC ± 0.5 0.050
ANGLES / WINKEL ± 0.5

FINISH/OBERFLAECHE/FARBE

DWN Gräf 09.02.99
CHK Schweiger 18.02.99

NAME

PRODUCT SPEC PRODUKTSPEZ.

APPLICATION SPEC VERARBEITUNGSSPEZ.

SIZE A3 CAGE CODE 00779 DRAWING NO ZEICHNUNGS-NR. C-1103637 RESTRICTED TO NUR FUER

CUSTOMER DRAWING/KUNDENZEICHNUNG SCALE MASSTAB 1:1 SHEET BLATT 1 OF VON 1 REV A11

单击下面可查看定价，库存，交付和生命周期等信息

[>>TE Connectivity\(泰科\)](#)