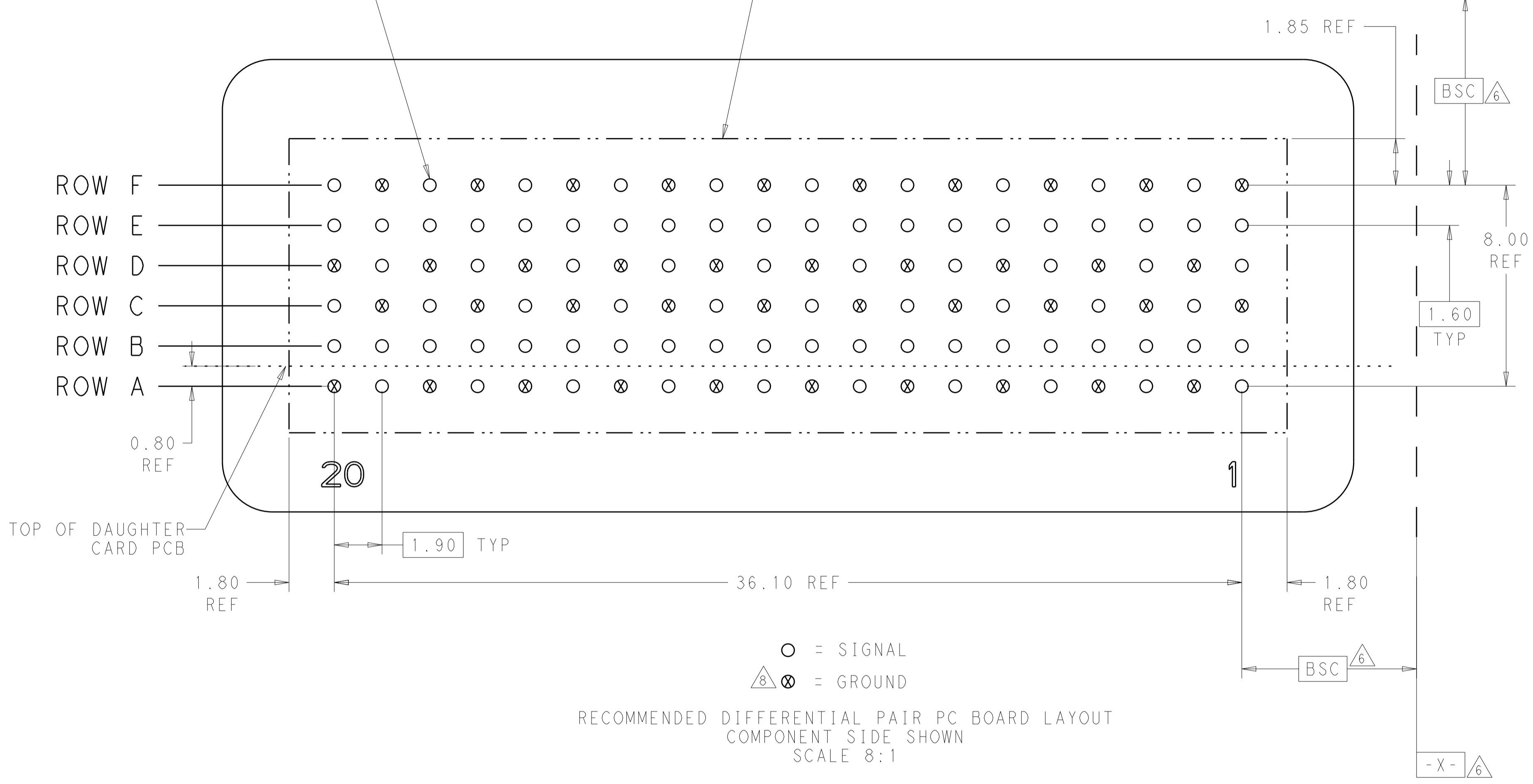
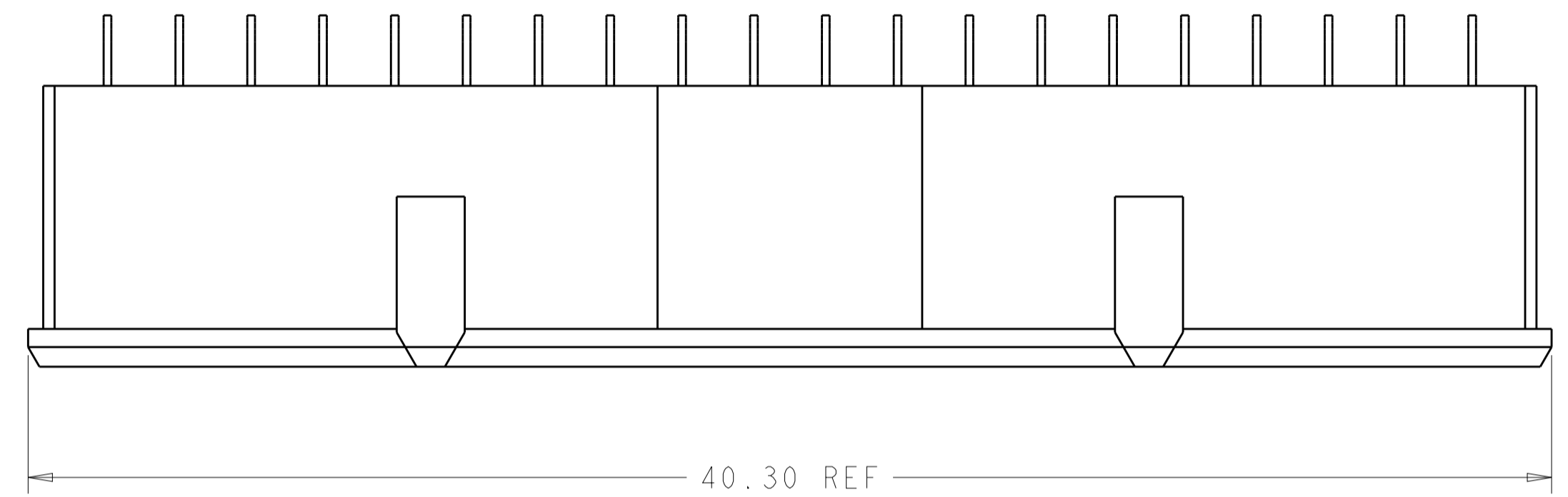


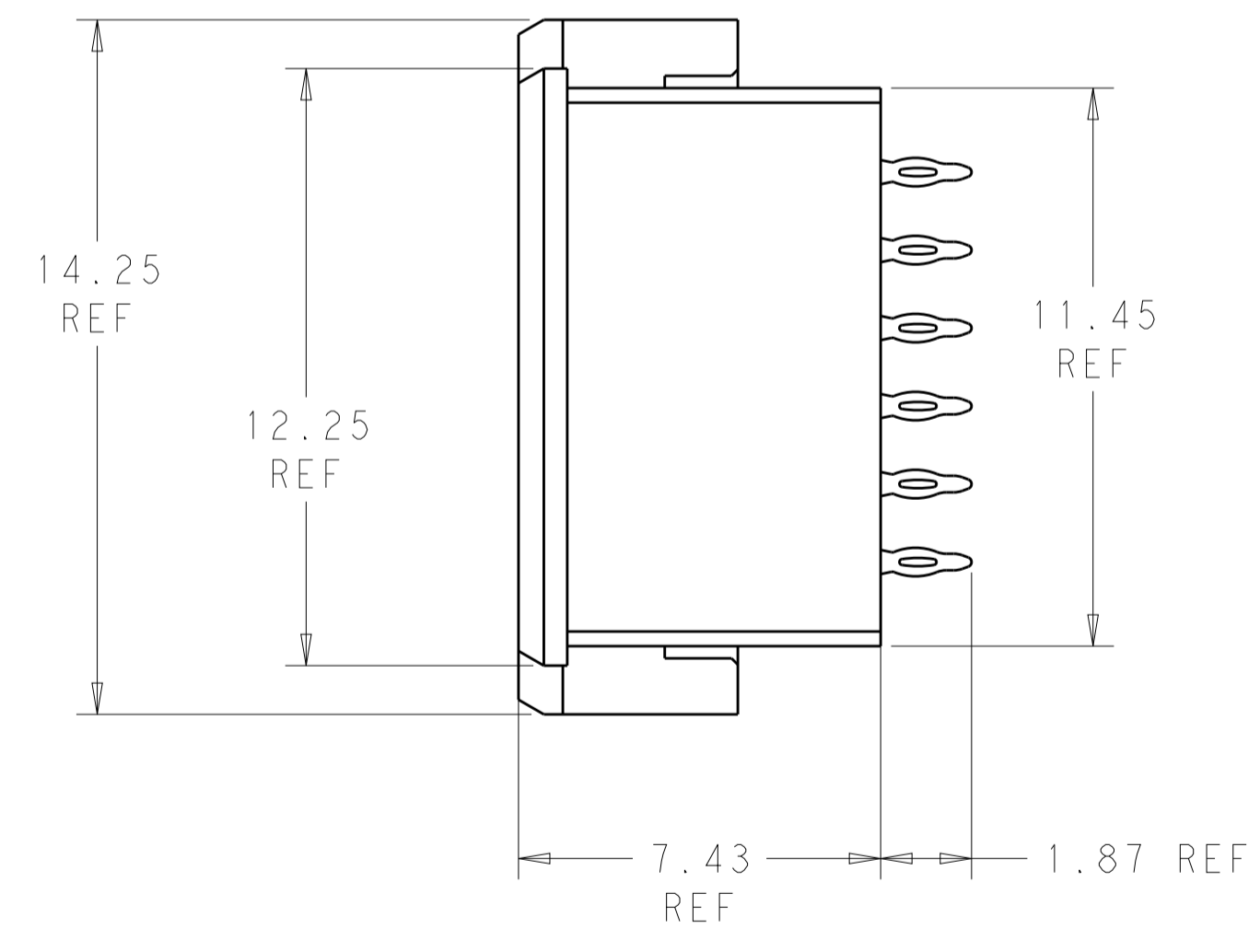
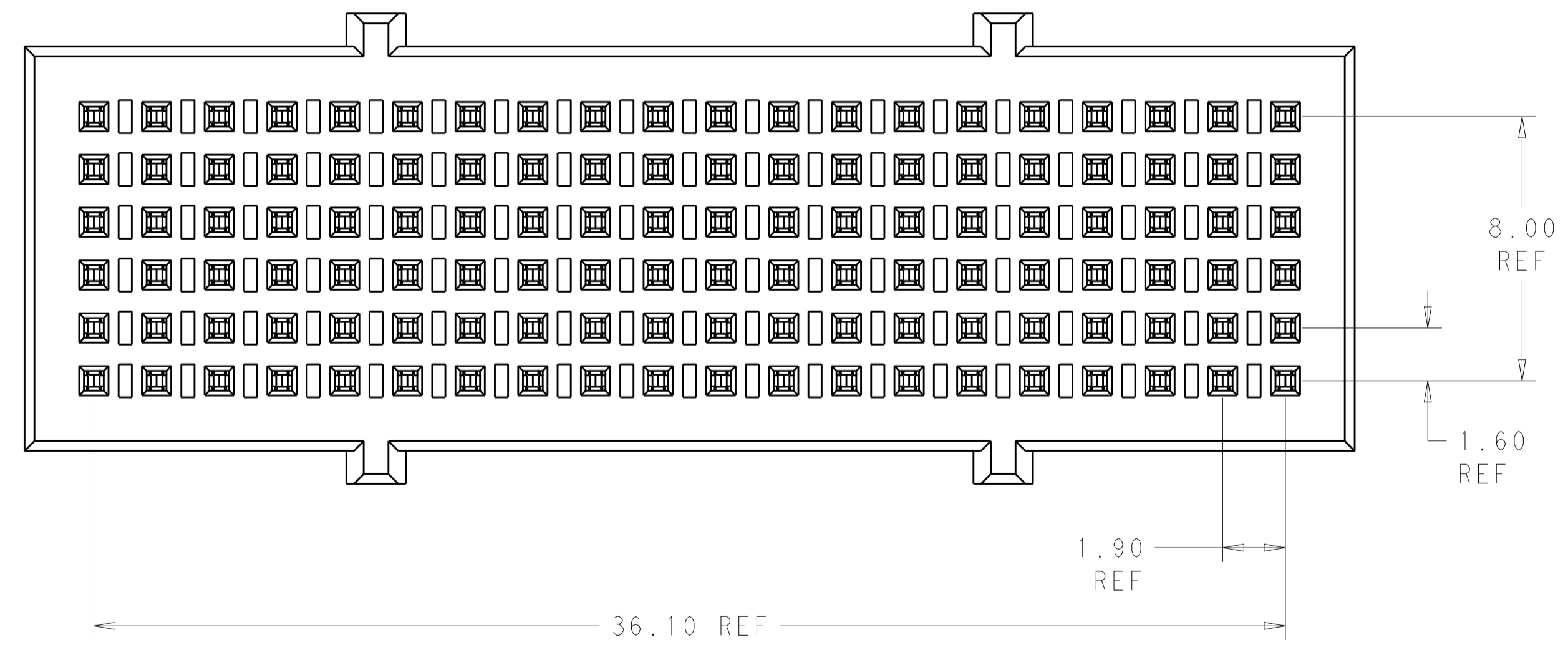
LOC	DIST	REV	DATE	BY	CHK	APPV
-	-	A	11OCT2012	MGM	CT	
-	-	B	01APR2013	KG	DH	
-	-	C	20NOV14	MGM	CT	

$\oplus \varnothing 0.05 \text{ X Y}$   
 FINISHED HOLE SIZE  
 AND PLATED THRU HOLES

CONNECTOR  
 OUTLINE



○ = SIGNAL  
 ⊗ = GROUND  
 RECOMMENDED DIFFERENTIAL PAIR PC BOARD LAYOUT  
 COMPONENT SIDE SHOWN  
 SCALE 8:1



- △ MATERIAL:  
 CONTACT - COPPER ALLOY  
 HOUSING - LCP, COLOR - BLACK
- △ FINISH:  
 MATING AREA: 1.27μm MIN GOLD OVER  
 1.25μm MIN NICKEL
- △ FINISH:  
 COMPLIANT PIN AREA: 0.38μm MIN BRIGHT TIN LEAD  
 OVER 1.27μm MIN NICKEL
- △ FINISH:  
 COMPLIANT PIN AREA: 0.38μm MIN MATTE TIN  
 OVER 1.27μm MIN NICKEL
- △ --
- △ DATUMS AND BASIC DIMENSIONS ESTABLISHED BY CUSTOMER.
- △ REFERENCE APPLICATION SPEC 114-13267 FOR RECOMMENDED  
 PLATING THRU HOLE DIAMETER AND PLATING THICKNESS.
- △ RECOMMENDED DIFFERENTIAL PAIR CONFIGURATION SHOWN.  
 THE CONNECTOR UTILIZES AN OPEN PIN FIELD AND  
 CAN BE LAID OUT IN A SINGLE-ENDED CONFIGURATION.

△ 2 △ 4	2102234-2
△ 2 △ 3	2102234-1
FINISH	PART NUMBER

THIS DRAWING IS A CONTROLLED DOCUMENT. DIMENSIONING AND TOLERANCING PER ASME Y14.5M-2009.		OWN: D. BELACK CHK: A. TSANG APPV: M. McALONIS	DATE: 24NOV2010	NAME: Fortis Zd, 2-PAIR, 20-COLUMN VERTICAL, FULL SHROUD ASSEMBLY	
DIMENSIONS: mm	TOLERANCES UNLESS OTHERWISE SPECIFIED:	PRODUCT SPEC: 108-2409	APPLICATION SPEC: 114-13267	SIZE: A1	CAGE CODE: 2102234
MATERIAL: △	FINISH: -	WEIGHT: ~5.21g	Customer Drawing	SCALE: 7:1	SHEET 1 OF 1 REV C

单击下面可查看定价，库存，交付和生命周期等信息

[>>TE Connectivity\(泰科\)](#)