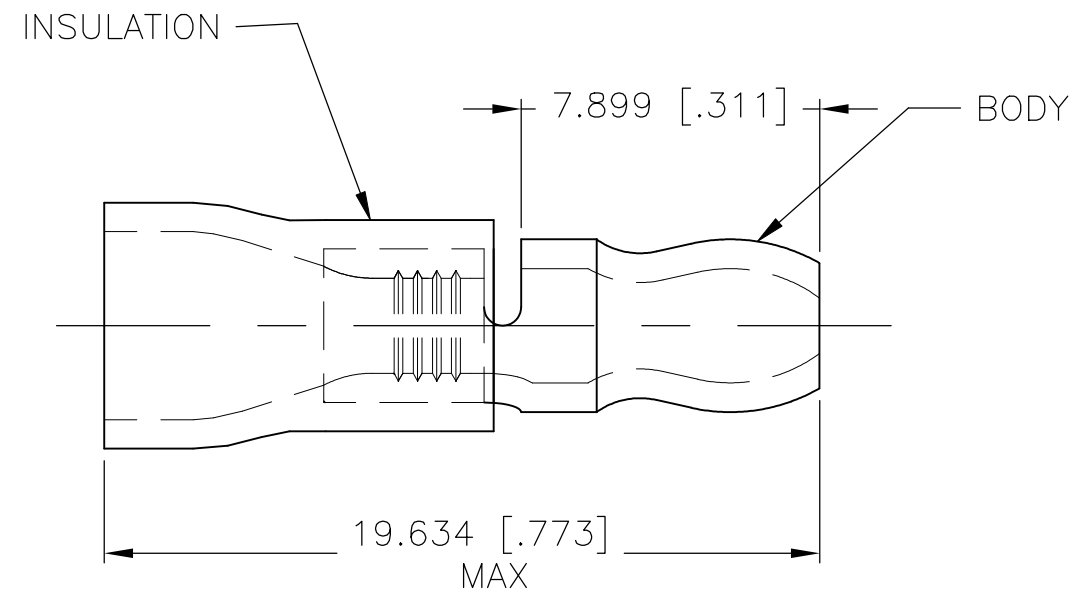



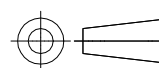
THIS DRAWING IS UNPUBLISHED. RELEASED FOR PUBLICATION
 © COPYRIGHT - TE Connectivity Ltd. ALL RIGHTS RESERVED.

REVISIONS					
P	LTR	DESCRIPTION	DATE	DWN	APVD
	G1	REV PER ECR 07-011456	11JUN07	JR	TM
	G2	REVISED PER ECO-17-014338	15MAY2018	RS	DR

- 1 BODY MATERIAL THK 0.787±0.051[.031±.002]
- 2 MATERIAL :BODY - CU PER ASTM B152
SLEEVE - PVC, BLUE
- 3 FINISH :BODY - TIN PER ASTM B545
- 4 FOR WIRE INSULATION 2.997-4.902 [.118-.193]
- 5 NOTE DELETED
- 6 NOTE DELETED



1000	LOOSE PIECE	324228
QTY	PACKAGE TYPE	PART NO.

THIS DRAWING IS A CONTROLLED DOCUMENT.		DWN JR RUTH 21JUL06	 TE Connectivity Ltd. NAME TERMINAL, PLASTI-GRIP, SHURPLUG, 180 SERIES, PIN, WIRE SIZE 16-14				
DIMENSIONS: mm [INCHES]		CHK T MICHIELUTTI 21JUL06					
		APVD T MICHIELUTTI 21JUL06					
TOLERANCES UNLESS OTHERWISE SPECIFIED:		PRODUCT SPEC					
0 PLC ± - 1 PLC ± - 2 PLC ± - 3 PLC ± 0.127[.005] 4 PLC ± - ANGLES ± -		APPLICATION SPEC	SIZE	CAGE CODE	DRAWING NO	RESTRICTED TO	
MATERIAL		FINISH	A300779		C-324228	-	
-		-	CUSTOMER DRAWING		SCALE 5:1	SHEET 1 OF 1	REV G2

单击下面可查看定价，库存，交付和生命周期等信息

[>>TE Connectivity\(泰科\)](#)