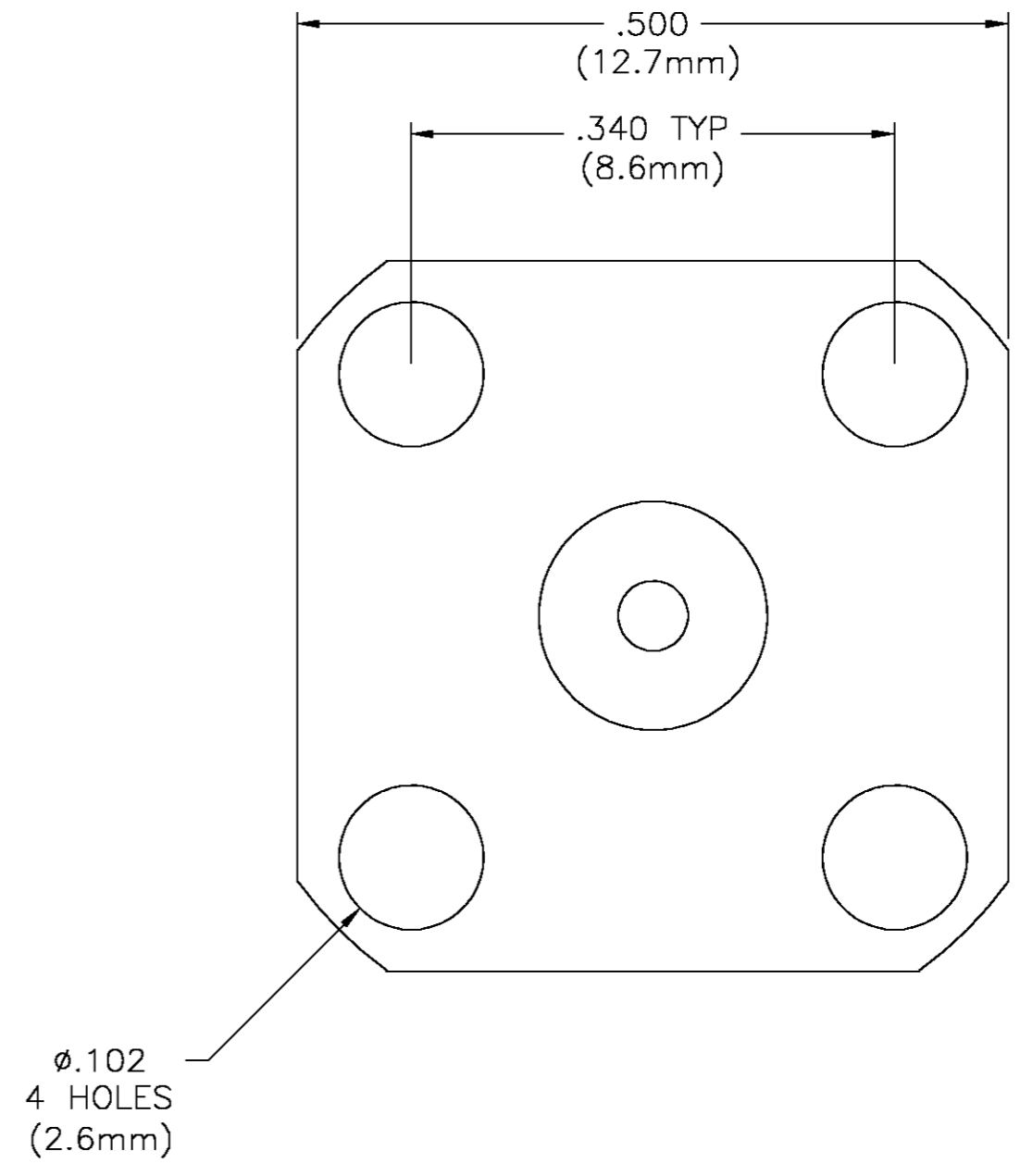
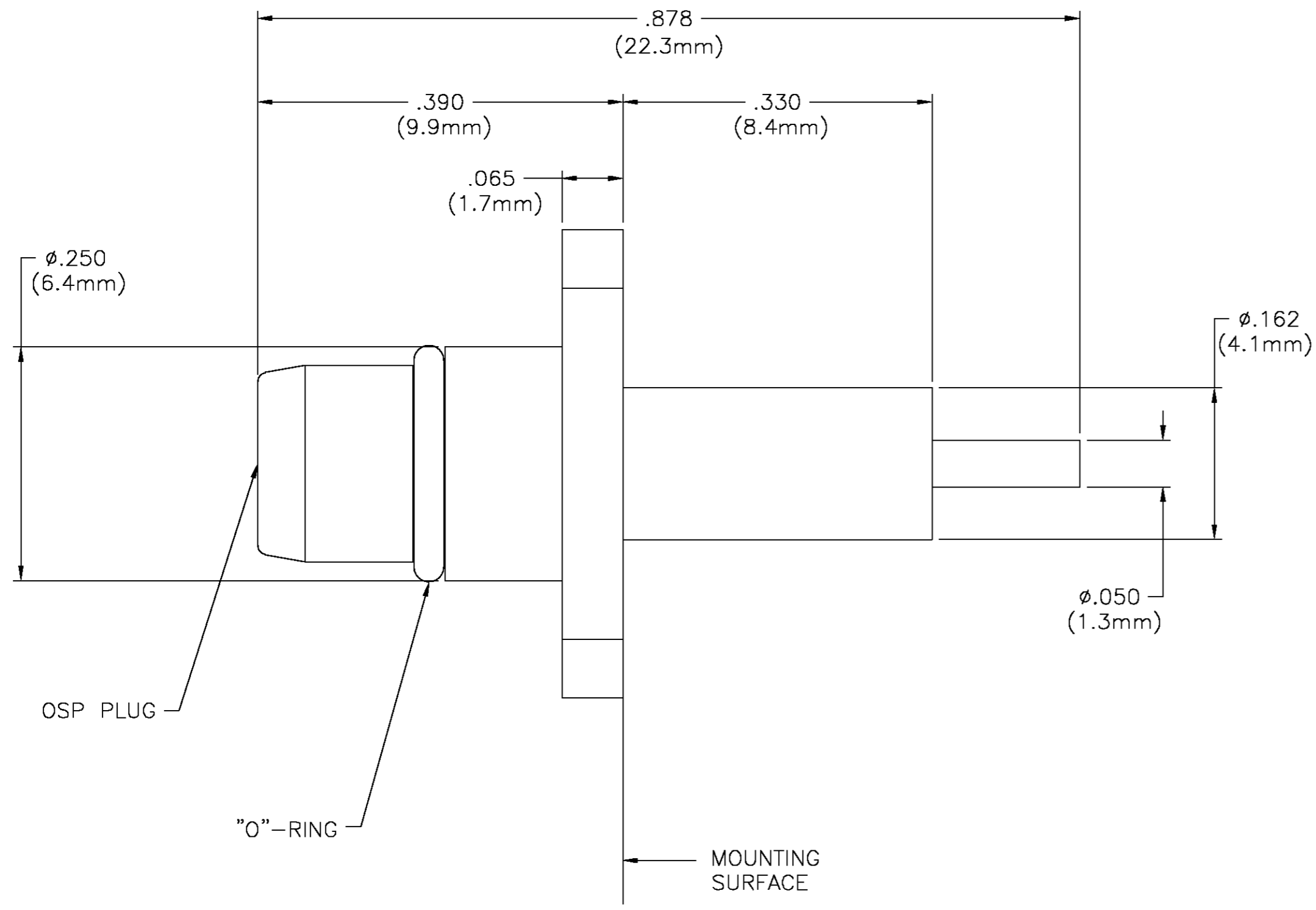


THIS DRAWING IS UNPUBLISHED. RELEASED FOR PUBLICATION
 © COPYRIGHT BY TYCO ELECTRONICS CORPORATION. ALL RIGHTS RESERVED.

| LOC | | DIST | | REVISIONS | | | |
|-----|-----|----------------------|---------|-----------|------|--|--|
| P | LTR | DESCRIPTION | DATE | DWN | APVD | | |
| B | | REV PER 0U20-0262-01 | 28FEB03 | GV | JGH | | |



NOTE:
 1. CAPTURED CENTER CONTACT

| COMPONENT | MATERIAL | FINISH |
|----------------|---|--|
| HOUSING | STAINLESS STEEL PER ASTM-A484 AND ASTM-A582, TYPE 303 | GOLD PLATE PER MIL-G-45204 OVER NICKEL PLATE PER QQ-N-290 |
| DIELECTRIC | TFE FLUOROCARBON PER MIL-P-19468 AND FED SPEC L-P-403 | N/A |
| CENTER CONTACT | BERYLLIUM COPPER PER QQ-C-530 ALLOY 173 | GOLD PLATE PER MIL-G-45204 OVER COPPER PLATE PER MIL-C-14550 |
| O-RING | FLOUROSILICONE PER MIL-R-25988, CLASS I, TYPE I. | N/A |

| | | | | |
|--|--|-------------------------------|---|--|
| THIS DRAWING IS A CONTROLLED DOCUMENT. | | DWN G. VIERA 27FEB2003 | Tyco Electronics Corporation Harrisburg, PA 17105-3608 | |
| DIMENSIONS: INCHES | | CHK J. HAVENER 28FEB03 | NAME | |
| TOLERANCES UNLESS OTHERWISE SPECIFIED: | | APVD J. HAVENER 28FEB03 | PRODUCT SPEC | |
| 0 PLC ± | | APPLICATION SPEC | | |
| 1 PLC ± | | WEIGHT | | |
| 2 PLC ± | | SIZE A2 | | |
| 3 PLC ± .005 | | CAGE CODE 00779 | | |
| 4 PLC ± | | DRAWING NO. 1310898-1 | | |
| ANGLES ± 1° | | RESTRICTED TO | | |
| FINISH 63 | | SCALE 8:1 | | |
| MATERIAL - | | SHEET 1 OF 1 | | |
| CUSTOMER DRAWING | | REV B | | |

1310898-1

单击下面可查看定价，库存，交付和生命周期等信息

[>>TE Connectivity\(泰科\)](#)