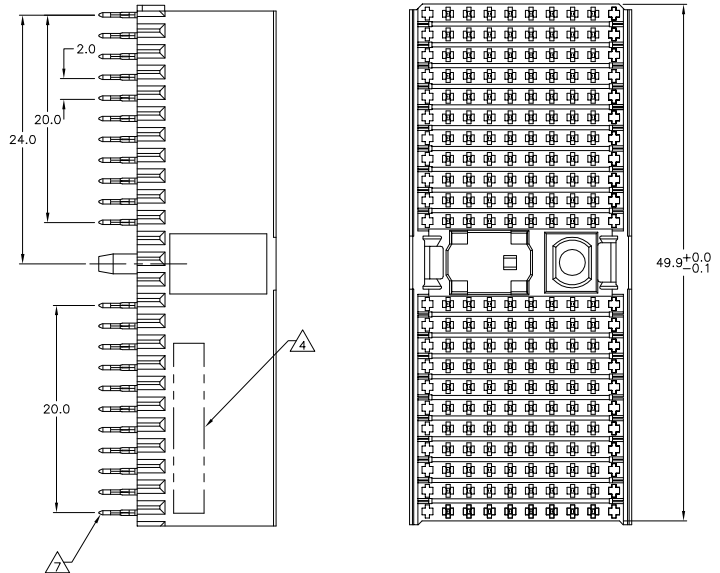
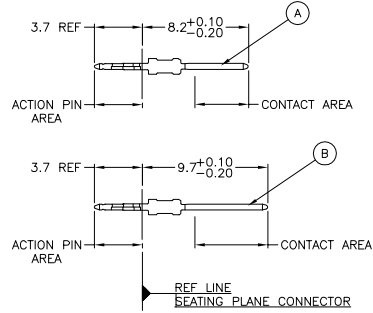


CONNECTOR ASSEMBLY  
EXAMPLARY LOADED  $\triangle$



CONTACT DIMENSIONS  
SCALE 5:1

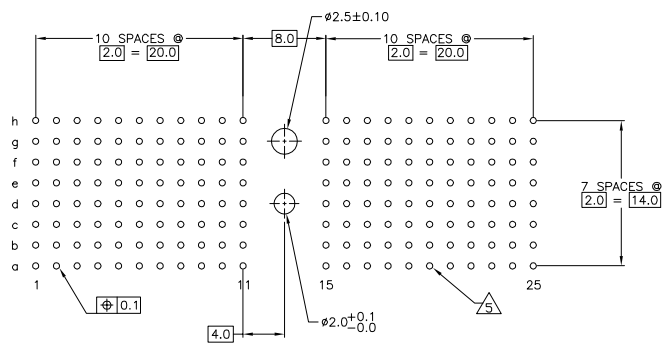


CONTACT LAYOUT

	z	a	b	c	d	e	f	g	h	i
1	A	A	A	A	A	A	A	A	A	A
2	A	A	A	A	A	A	A	A	A	A
3	A	A	A	A	A	A	A	A	A	A
4	A	A	A	A	A	A	A	A	A	A
5	A	A	A	A	A	A	A	A	A	A
6	A	A	A	A	A	A	A	A	A	A
7	A	A	A	A	A	A	A	A	A	A
8	A	A	A	A	A	A	A	A	A	A
9	A	A	A	A	A	A	A	A	A	A
10	A	A	B	A	A	B	A	A	A	A
11	A	A	B	A	A	B	A	A	A	A
MULTI PURPOSE CENTER										
15	A	A	B	A	A	B	A	A	A	A
16	A	A	B	A	A	B	A	A	A	A
17	A	A	A	A	A	A	A	A	A	A
18	A	A	A	A	A	A	A	A	A	A
19	A	A	A	A	A	A	A	A	A	A
20	A	A	A	A	A	A	A	A	A	A
21	A	A	A	A	A	A	A	A	A	A
22	A	A	A	A	A	A	A	A	A	A
23	A	A	A	A	A	A	A	A	A	A
24	A	A	A	A	A	A	A	A	A	A
25	A	A	A	A	A	A	A	A	A	A

PLATED THRU HOLES PARAMETERS  
REFERENCE APPLICATION SPECIFICATION

RECOMMENDED PCB-HOLE LAYOUT  
COMPONENT SIDE SHOWN



$\triangle$ 2 4 10	6645307-9
$\triangle$ 2 3	6645307-1
FINISH	PART NUMBER

THIS DRAWING IS A CONTROLLED DOCUMENT. DATE: 15MAY2012. BY: JIAN\_YI. CHK: SANDERS\_YAN. PRODUCT SPEC: MALE ASSEMBLY, Z-PACK 2mm HM, TYPE D. APPLICATION SPEC: -. SIZE: A1. CASE CODE: 00779. CUSTOMER DRAWING: 6645307. SCALE: 4:1. SHEET: 1 OF 2. REV: B.

LOC	QTY	REVISIONS		
		REV	DATE	BY
ES	00			
		1		
		2		

- 1 MATERIAL:  
CONTACT: PHOSPHOR BRONZE.  
HOUSING: GLASS-FILLED POLYESTER.
- 2 GENERAL PLATING SPECIFICATION: UNDERPLATING  
(ENTIRE CONTACT): 1.27µm MIN NICKEL AND ACTION  
PIN: 0.5µm MIN TIN.  
FOR PLATING OF MATING SURFACES SEE APPLICABLE  
SPECIFICATION REFERENCE FOR EACH DASH NUMBER.
- 3 CONFORMS TO ALL TESTING ACCORDING TO IEC 61076-4-101  
PERFORMANCE LEVEL 2.
- 4 CONNECTOR TESTED AND QUALIFIED AGAINST TELCORDIA GR-1217-CORE QUALITY LEVEL 3,  
CENTRAL OFFICE APPLICATIONS.
- 5 CONNECTOR MARKED WITH PART NUMBER AND DATE CODE.  
ADDITIONAL CHARACTERS OR MARKINGS, AS WELL AS THE LOCATION OF THE MARKINGS,  
MAY BE ADDED FOR TRACEABILITY BASED UPON MANUFACTURERS DISCRETION.
- 6 PLATED-THROUGH HOLES AT 2x2mm SQUARE GRID  
PATTERN DEFINED BY CONTACT LAYOUT.
- 7 FOR ACTUAL PIN LOADING SEE "CONTACT LAYOUT".
- 8 FOR ACTUAL PIN DIMENSIONS SEE "CONTACT DIMENSIONS".
- 9 TO BE MEASURED AT BOTTOM OF SHROUD.
- 10 CONNECTOR LUBRICATED WITH BELCORE APPROVED LUBRICANT,  
TECHNICAL REFERENCE: TR-NWT-001217 ISSUE 1, SEP 1992.

THIS DRAWING IS A CONTROLLED DOCUMENT.		REV JIAN, YI 15MAY2012	TE Connectivity	
DIMENSIONS: mm		CHK SANDERS, YAN 15MAY2012	NAME ALEX CAI	
		APPD ALEX CAI 15MAY2012	PRODUCT SPEC MALE ASSEMBLY, Z-PACK 2mm HM, TYPE D	
MATERIAL SEE SHEET 1		FINISH SEE SHEET 1	APPLICATION SPEC -	RESTRICTED TO -
WEIGHT -		SIZE A1	SCALE 4:1	REV B
CUSTOMER DRAWING		DATE CODE 00779	DRAWING NO 6645307	SHEET 2 OF 2

单击下面可查看定价，库存，交付和生命周期等信息

[>>TE Connectivity\(泰科\)](#)